

MATERIAL NUMBER	# OF COLUMNS	# OF DIFF PAIR	DIM "A" MAX	DIM "B"	PTH $\varnothing$
76410-*8**	8	24	22.80	13.30	0.46 $\pm$ 0.05
76410-*1**	10	30	26.60	17.10	0.46 $\pm$ 0.05
76410-*4**	14	42	34.20	24.70	0.46 $\pm$ 0.05
76410-*6**	16	48	38.00	28.50	0.46 $\pm$ 0.05
76410-*8**	8	24	22.80	13.30	0.39 $\pm$ 0.05
76410-*1**	10	30	26.60	17.10	0.39 $\pm$ 0.05
76410-*4**	14	42	34.20	24.70	0.39 $\pm$ 0.05
76410-*6**	16	48	38.00	28.50	0.39 $\pm$ 0.05

**76410-\*\*\***

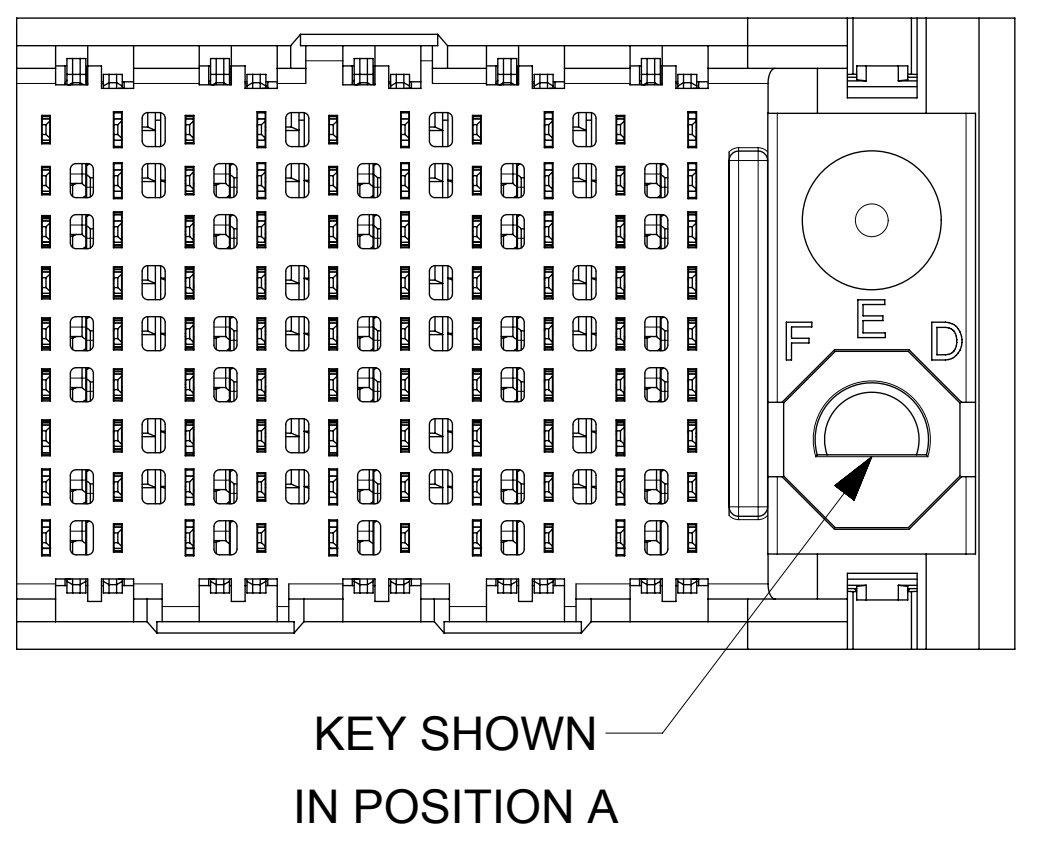
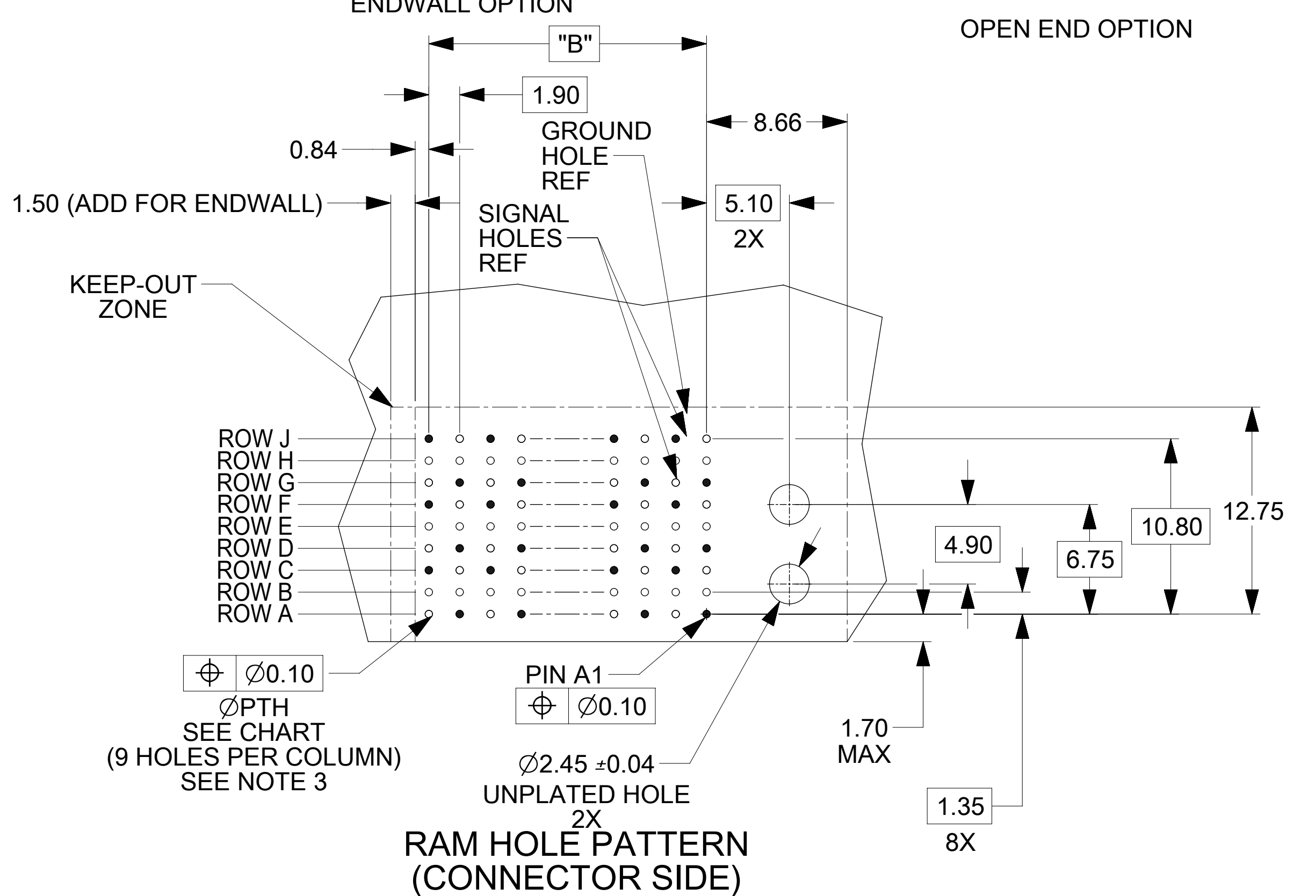
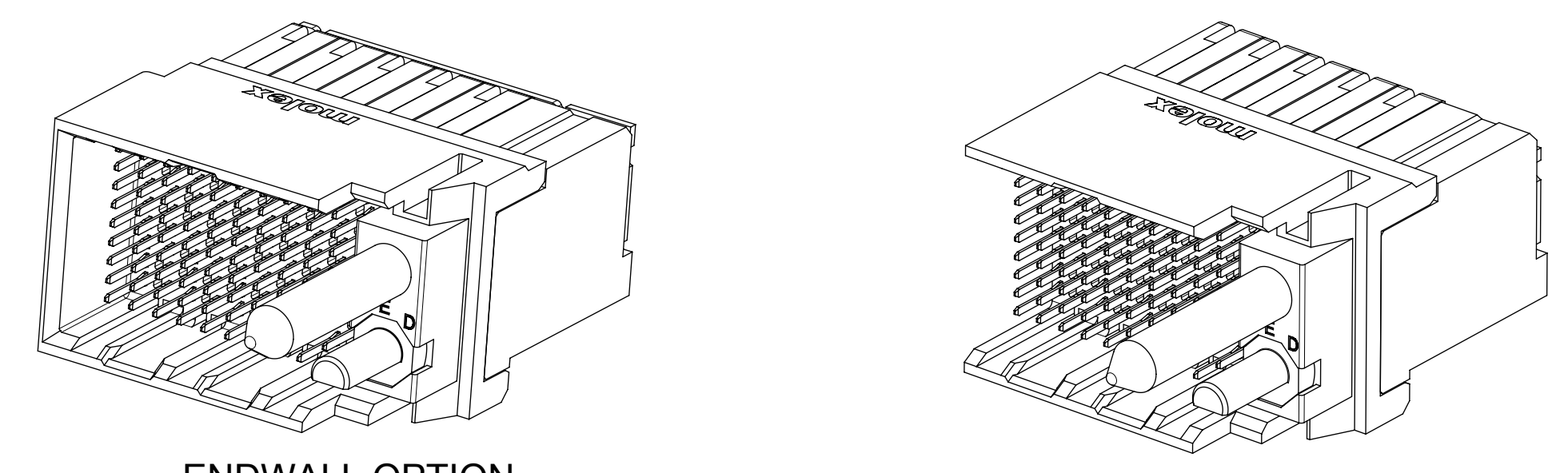
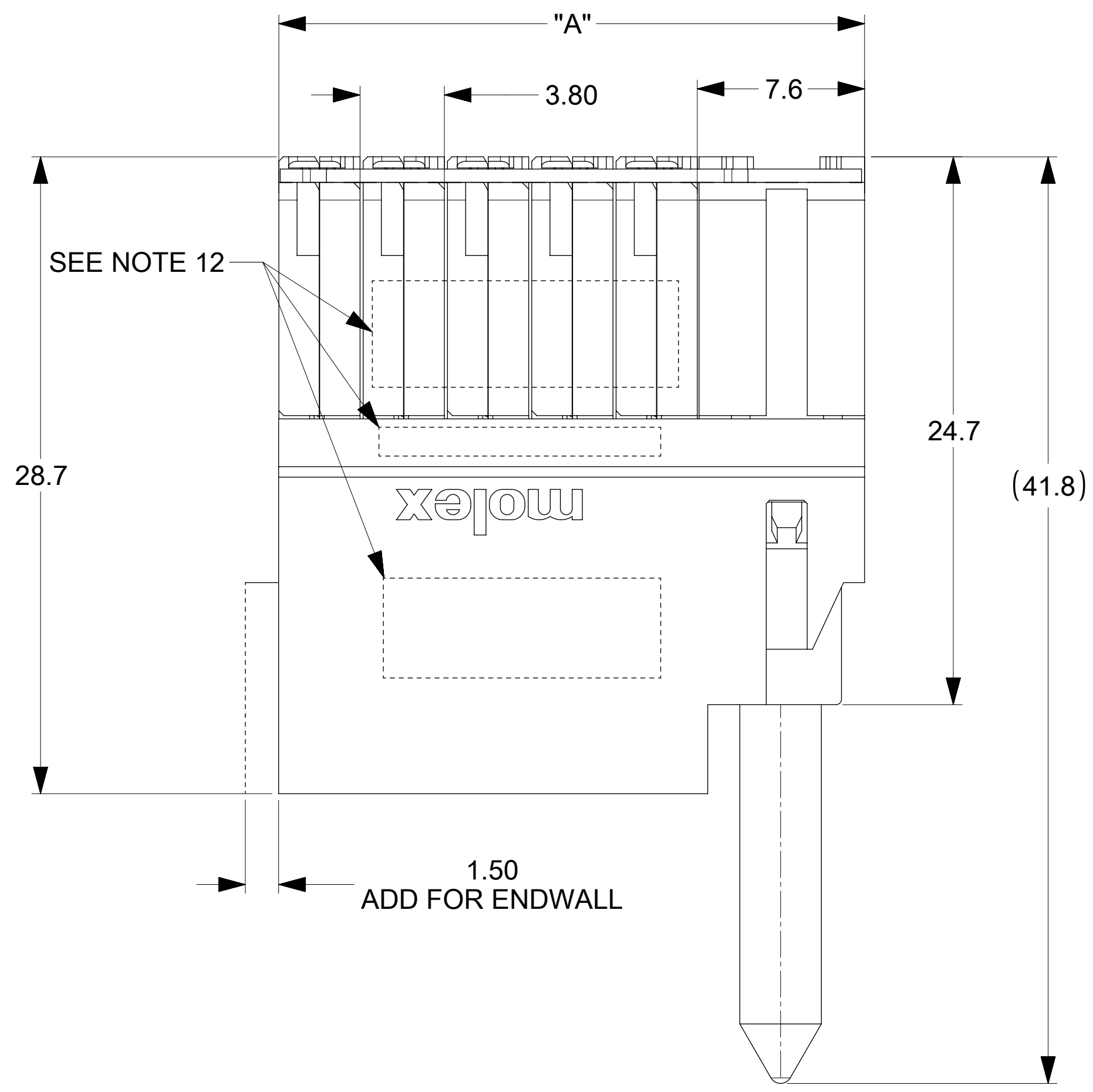
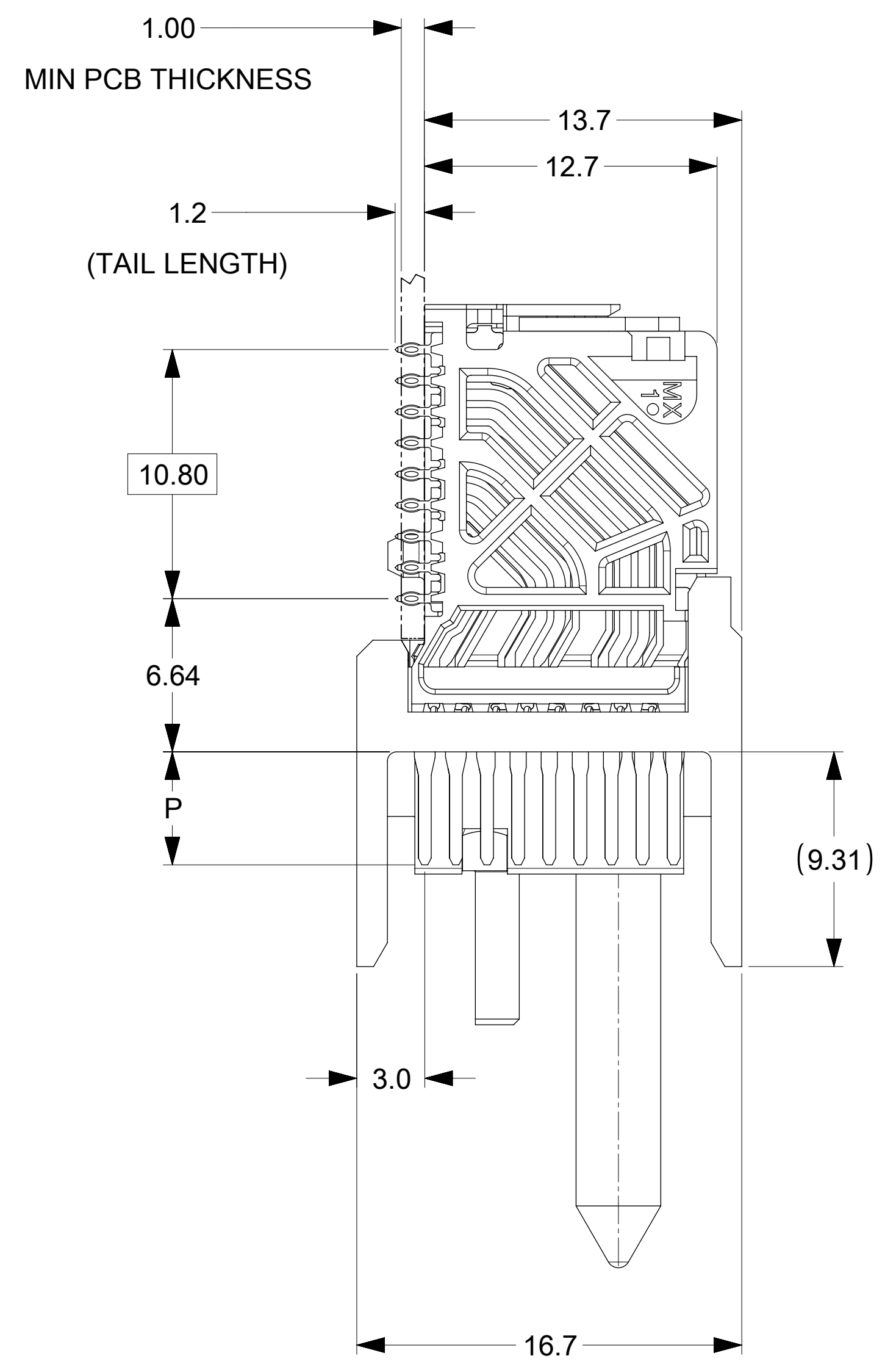
MODULE & TAIL PLATING TYPE  
 5 = RIGHT GUIDED LEAD-FREE  
 9 = RIGHT GUIDED LEAD-FREE W/ ENDWALL

PIN LENGTH (P)  
 4 = 4.90 (0.46 PTH)  
 5 = 5.50 (0.46 PTH)  
 7 = 4.90 (0.39 PTH)  
 8 = 5.50 (0.39 PTH)

# OF COLUMNS  
 1 = 10 COL  
 4 = 14 COL  
 6 = 16 COL  
 8 = 8 COL

POLARIZATION KEY ORIENTATION  
 0 = NO KEY  
 1 = A    5 = E  
 2 = B    6 = F  
 3 = C    7 = G  
 4 = D    8 = H

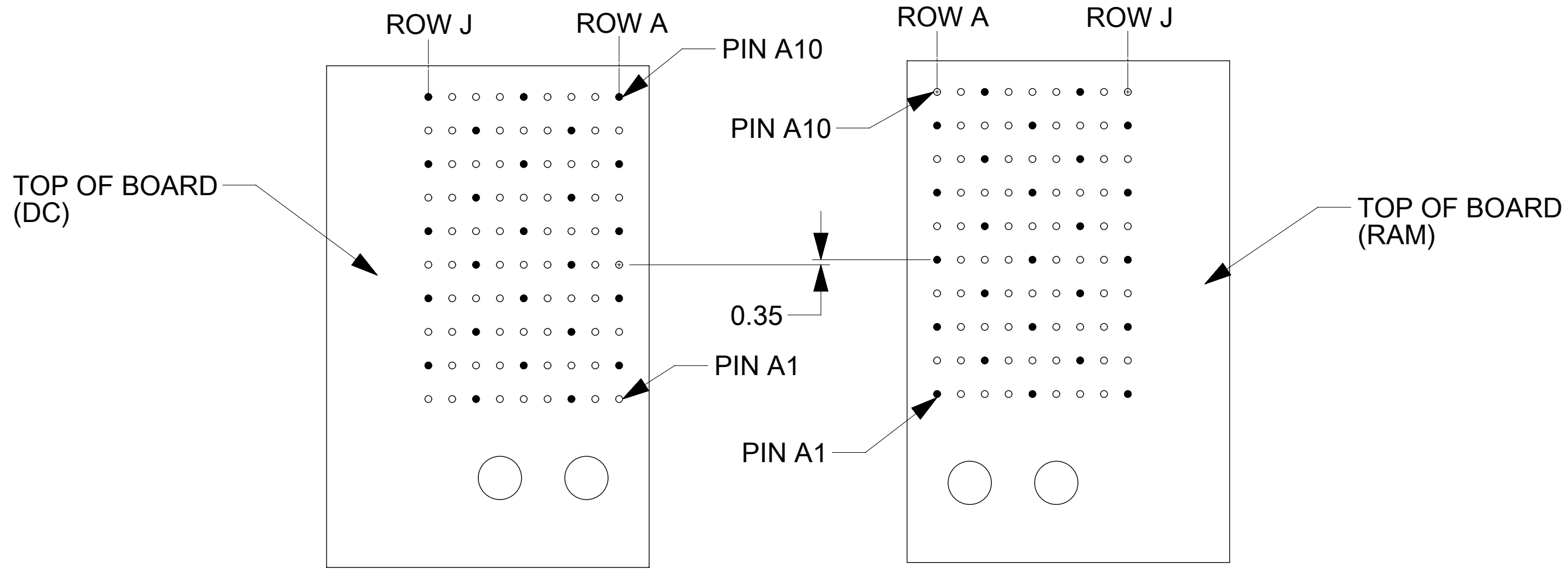
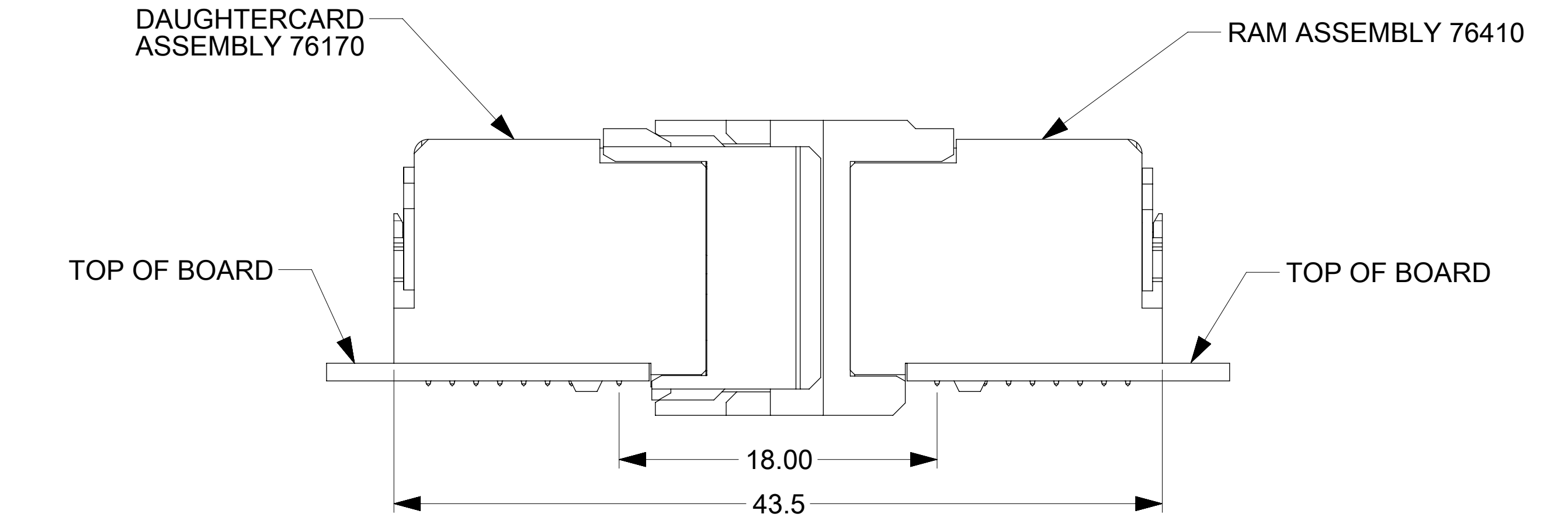
- NOTES:
- MATERIALS: HOUSING - LIQUID CRYSTAL POLYMER (LCP), GLASS-FILLED, UL94V-0  
TERMINALS - HIGH PERFORMANCE COPPER ALLOY
  - FINISH: 30uIN SELECTIVE GOLD IN CONTACT AREA, SELECTIVE TIN ON PCB TAILS. NICKEL OVERALL.
  - REFER TO MOLEX PRODUCT SPECIFICATION PS-76060-999 FOR PERFORMANCE SPECIFICATIONS AND ADDITIONAL PCB INFORMATION.
  - EACH SIGNAL WAFER CONTAINS 2 COLUMNS OF TERMINALS.
  - PRODUCT IS PACKAGED PER PK-70873-762.
  - THIS PART CONFORMS TO CLASS B REQUIREMENTS OF COSMETIC SPEC PS-45499-002.
  - REFER TO MOLEX SALES DRAWING SD-76170-002 FOR THE MATING RECEPTACLES.
  - REFER TO MOLEX PCB ROUTING GUIDE AS-76060-990 FOR ANTIPAD AND ROUTING RECOMMENDATIONS.
  - MOLEX TO SUPPLY #2-23 SCREW 73726-0000.FOR BOARD THICKNESS AND OTHER SCREW INFORMATION REFER TO IMPACT BACKPLANE SYSTEM SCREW DESIGN GUIDE AS-76060-9999.
  - GUIDE RIGHT RAM MATES WITH A GUIDE LEFT DAUGHTERCARD.
  - OPEN END VERSION SHOWN FOR CLARITY.
  - MARKING: LOCATED APPROXIMATELY AS SHOWN. PART NUMBER AND DATE CODE.



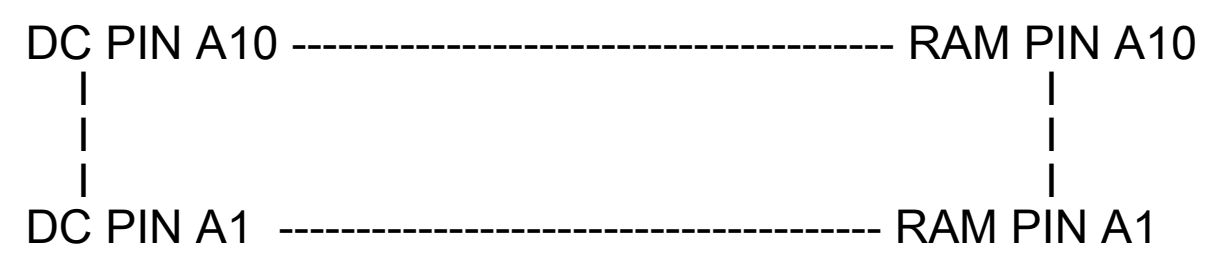
THIS DRAWING CONTAINS INFORMATION THAT IS PROPRIETARY TO MOLEX ELECTRONIC TECHNOLOGIES, LLC AND SHOULD NOT BE USED WITHOUT WRITTEN PERMISSION

DIMENSION UNITS	SCALE	CURRENT REV DESC:	molex		
mm	NTS	CHANGE SCREW P/N	IMPACT 3 PAIR RAM GUIDE RIGHT SIGNAL MODULE SALES DWG		
GENERAL TOLERANCES (UNLESS SPECIFIED)		EC NO: 623439	PRODUCT CUSTOMER DRAWING		
ANGULAR TOL	± 0.5°	DRWN: JSGOH01	2019/08/30	DOCUMENT NUMBER	
4 PLACES	±	CHK'D: SHONG	2019/09/16	DOC TYPE	DOC PART
3 PLACES	±	APPR: SHONG	2019/09/16	PSD	001
2 PLACES	± 0.13	INITIAL REVISION:	2008/10/23	REVISION	F3
1 PLACE	± 0.25	DRWN: JLAURX	2008/10/27	SD-76410-004	
0 PLACES	±	APPR: JLAURX	2008/10/27	GENERAL MARKET	
DRAFT WHERE APPLICABLE MUST REMAIN WITHIN DIMENSIONS		THIRD ANGLE PROJECTION	DRAWING	SERIES	SHEET NUMBER
			D-SIZE	76410	1 OF 2

# COPLANAR APPLICATION



## COPLANAR MATED SIGNAL PATHS



THIS DRAWING CONTAINS INFORMATION THAT IS PROPRIETARY TO MOLEX ELECTRONIC TECHNOLOGIES, LLC AND SHOULD NOT BE USED WITHOUT WRITTEN PERMISSION									
DIMENSION UNITS		SCALE		CURRENT REV DESC: CHANGE SCREW P/N					
mm		NTS		<p><b>molex</b></p> <p>IMPACT 3 PAIR RAM GUIDE RIGHT SIGNAL MODULE SALES DWG</p> <p>PRODUCT CUSTOMER DRAWING</p> <p>DOCUMENT NUMBER: SD-76410-004    DOC TYPE: PSD    DOC PART: 001    REVISION: F3</p> <p>MATERIAL NUMBER: SEE TABLE    CUSTOMER: GENERAL MARKET    SHEET NUMBER: 2 OF 2</p>					
GENERAL TOLERANCES (UNLESS SPECIFIED)									
ANGULAR TOL		± 0.5°							
4 PLACES		±							
3 PLACES		±							
2 PLACES		± 0.13		INITIAL REVISION:		2008/10/23			
1 PLACE		± 0.25		DRWN: JLAURX		2008/10/27			
0 PLACES		±		APPR: JLAURX					
DRAFT WHERE APPLICABLE MUST REMAIN WITHIN DIMENSIONS				THIRD ANGLE PROJECTION		DRAWING		SERIES	
						C-SIZE		76410	