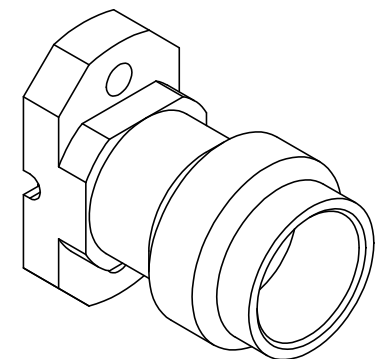
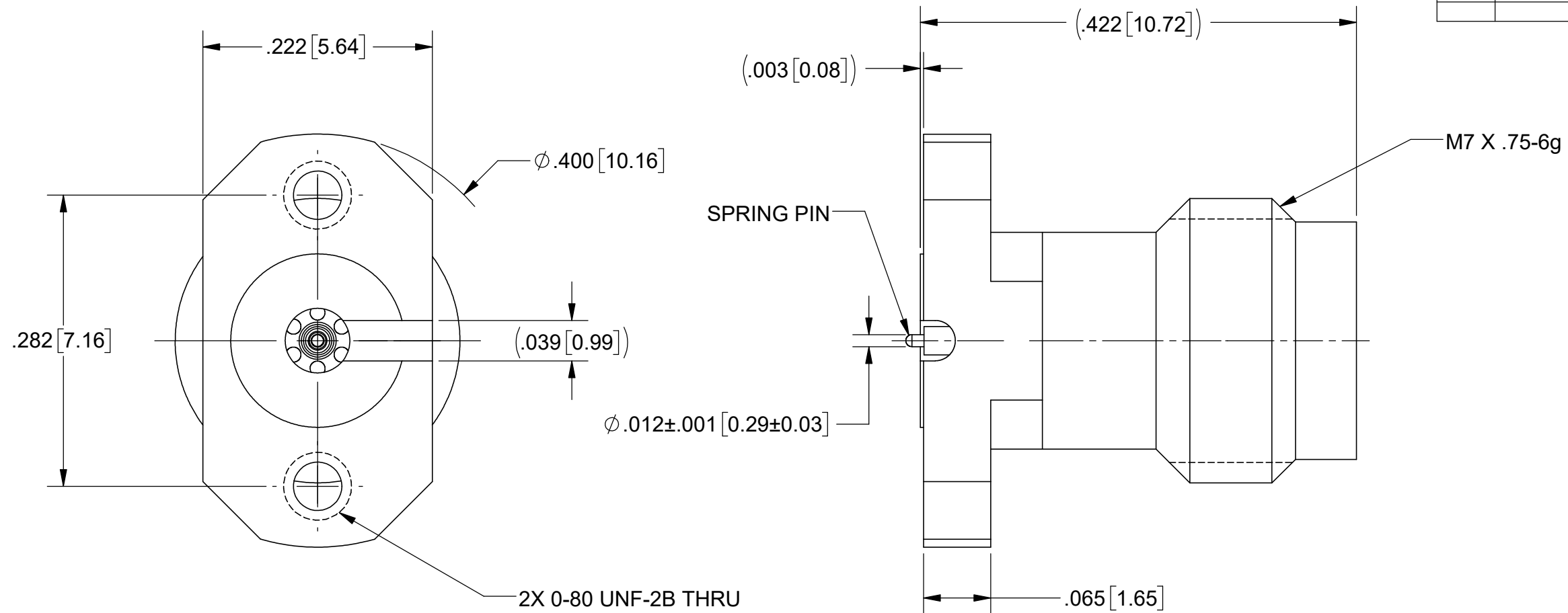


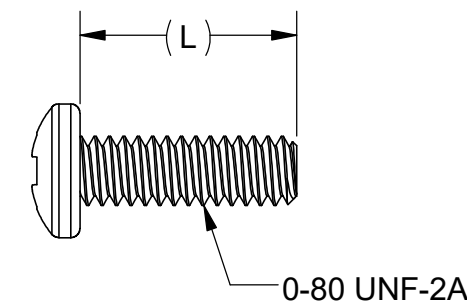
PRODUCT DATA DRAWING

REVISION HISTORY			
REV	DESCRIPTION	DATE	APPROVED
-	NRN 45350	11/20	BNK



- MATERIAL:**
- BODY & INSERT:** STAINLESS STEEL PER AMS 5640, ALLOY UNS S30300, TYPE 1 OR ASTM A582, TYPE 303, CONDITION A.
- CONTACTS:** BERYLLIUM COPPER PER ASTM B196, ALLOY No. UNS C17300, TD04.
- INSULATOR:** PEI (ULTEM 1000) PER ASTM D5205.
- SCREWS:** 300 SERIES STAINLESS STEEL.
- FINISH:**
- BODY, INSERT & SCREWS:** PASSIVATED PER AMS 2700.
- CONTACTS:** GOLD PER ASTM B488, TYPE II, CODE C, CLASS .76, OVER NICKEL PER AMS-QQ-N-290, CLASS 1, .00005" MIN.
- PERFORMANCE:**
- IMPEDANCE:** 50 OHMS
- FREQ. RANGE:** DC TO 65.0 GHz
- VSWR:** 1.30:1 DC TO 65.0 GHz
- INSERTION LOSS:** .04 X SQRT(F IN GHz)
- DWV:** 500 VRMS

NOTES:
 1. FOR RECOMMENDED FOOTPRINT FOR YOUR PCB, ONTACT SV MICROWAVE SALES DEPARTMENT (sales@svmicro.com, 561-840-1800)



SV P/N	DESCRIPTION	PCB THICKNESS	(L)
SF3321-60032-1S	INCL. 2 EA (.188) SCREWS	.016 TO .123	.188
SF3321-60032-2S	INCL. 2 EA (.250) SCREWS	.078 TO .185	.250
SF3321-60032-3S	INCL. 2 EA (.438) SCREWS	.266 TO .373	.438
SF3321-60032	NO SCREWS	.005 TO .373	N/A

MATERIAL: SEE NOTES	DIMENSIONS ARE IN INCHES TOLERANCES: FRACTIONAL: ±1/64 ANGULAR: X° ±1'0" X'X' ±15'	UNLESS OTHERWISE SPECIFIED 1) ALL DIMENSIONS ARE IN INCHES (MILLIMETERS) 2) ALL DIMENSIONS ARE AFTER PLATING 3) BREAK CORNERS & EDGES .005 R. MAX. 4) CHAM. 1ST & LAST THREADS. 5) SURFACE ROUGHNESS 63-MIL-STD-10. 6) DIA. 'S ON COMMON CENTERS TO BE CONCENTRIC WITHIN .005 T.I.R. 7) REMOVE ALL BURRS	 www.svmicrowave.com TITLE: 1.85mm FEMALE LITE-TOUCH SURFACE MOUNT PCB CONNECTOR FOR CPW/MICROSTRIP SIZE DWG. NO. B SF3321-60032-XS SCALE: 8:1 SHEET 1 OF 1
FINISH: SEE NOTES	DECIMAL: X ±.030 XX ±.010 XXX ±.005		
SURFACE AREA: N/A	INTERPRET DIMENSIONS AND TOLERANCES PER ASME Y14.5M - 1994	THIRD ANGLE PROJECTION	DRAWN: JPM 11/16/20 CHECKED: BNK 11/16/20 APPROVED: BNK 11/16/20

PROPRIETARY
 THE INFORMATION CONTAINED IN THIS DRAWING IS THE SOLE PROPERTY OF SV MICROWAVE, INC. ANY REPRODUCTION IN PART OR AS A WHOLE WITHOUT THE WRITTEN PERMISSION OF SV MICROWAVE, INC IS PROHIBITED.