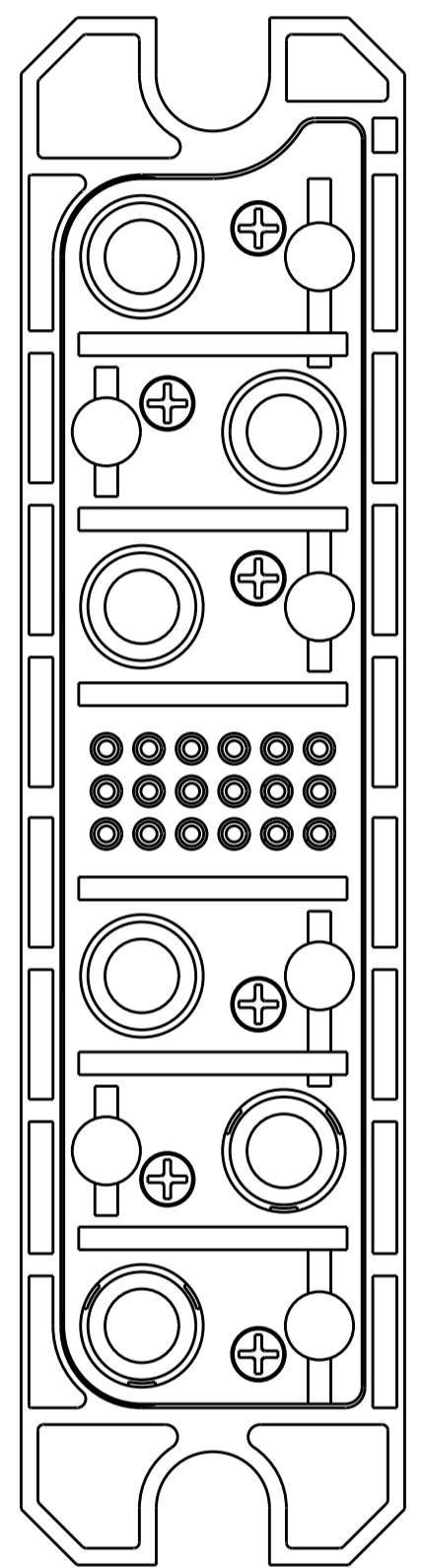
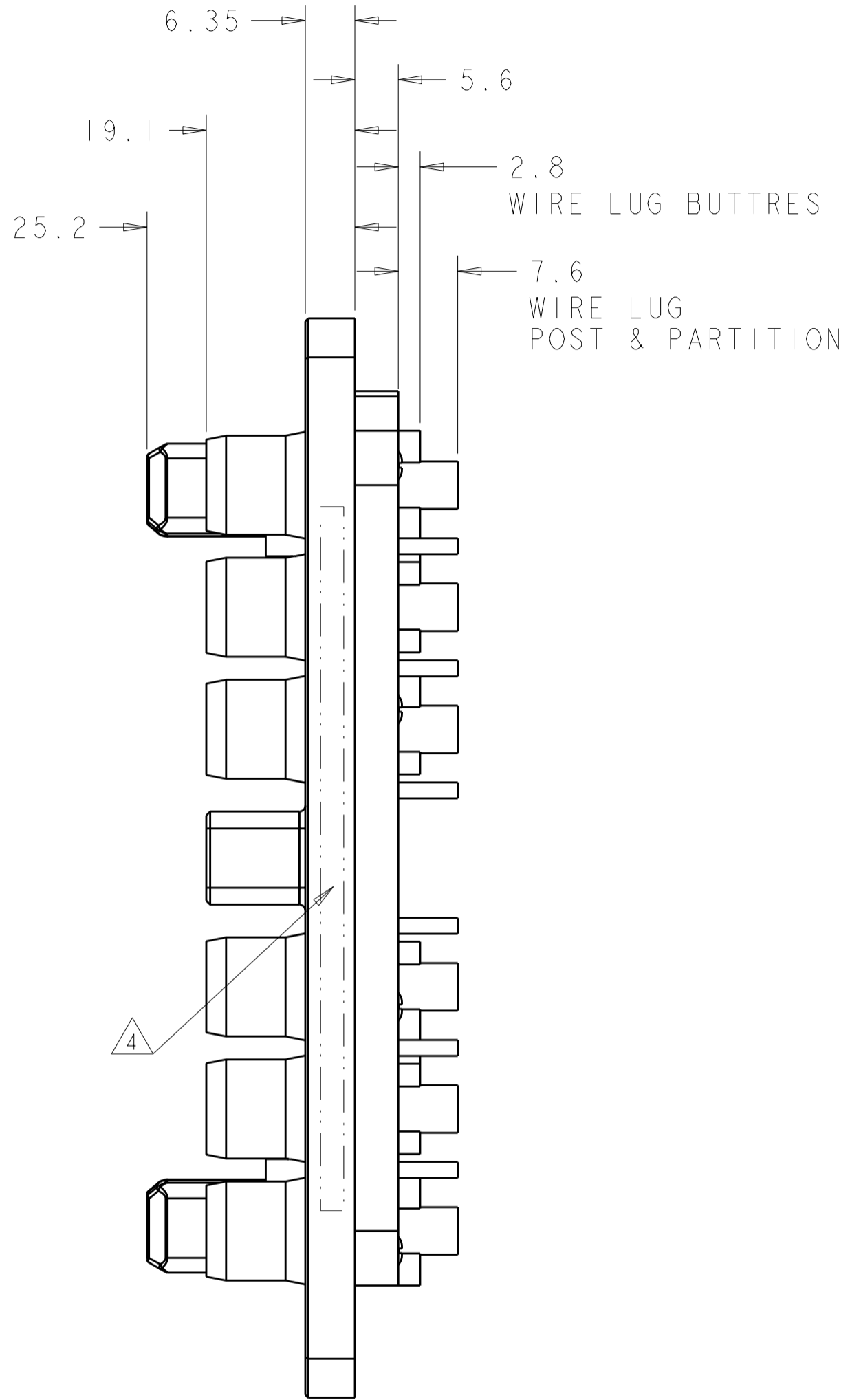
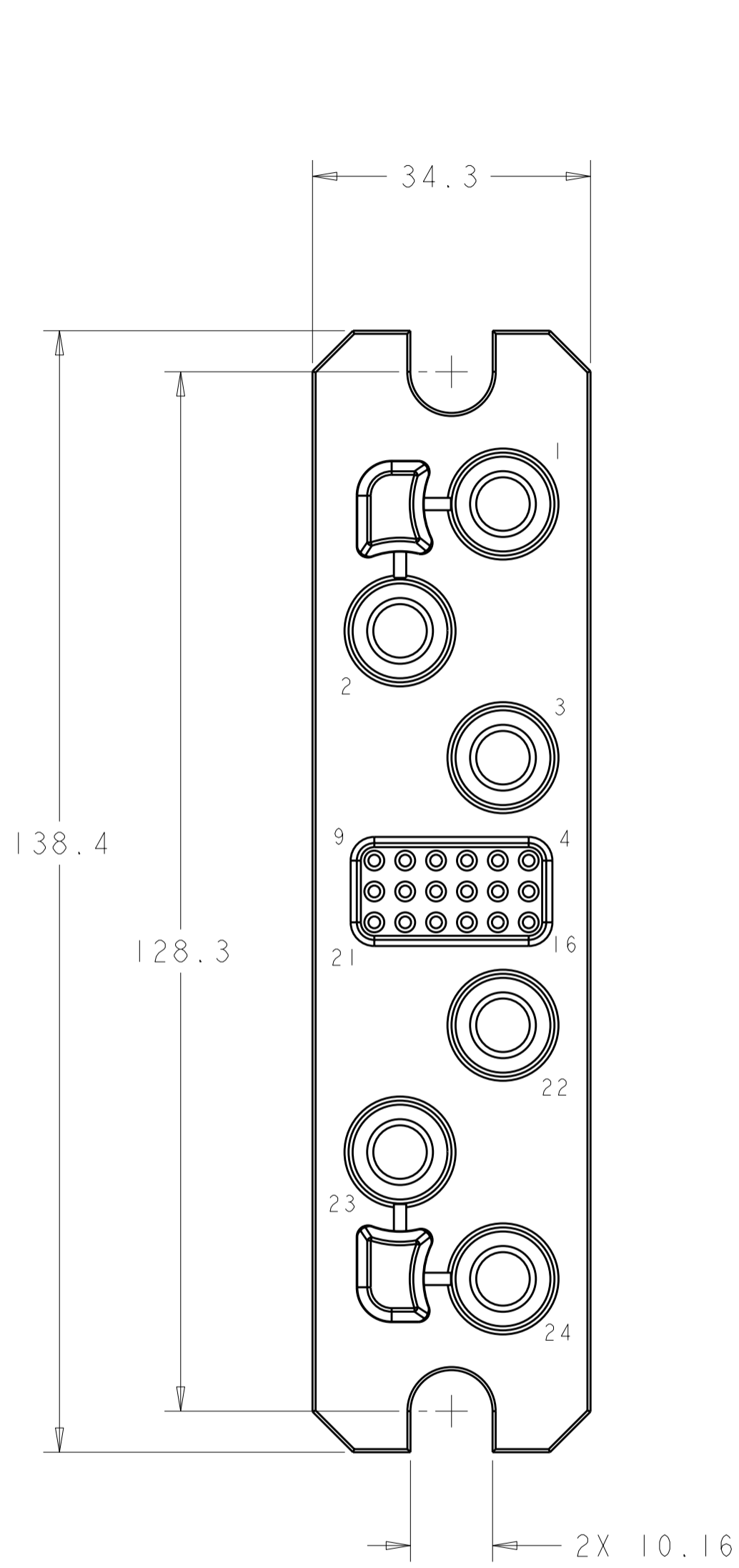


THIS DRAWING IS UNPUBLISHED. RELEASED FOR PUBLICATION 20  
 © COPYRIGHT 20 BY TYCO ELECTRONICS CORPORATION. ALL RIGHTS RESERVED.

LOC		DIST		REVISIONS			
P	LTR	DESCRIPTION	DATE	DWN	APVD		
GP	00	A	RELEASED	09OCT2008	RG	DO	



SOCKET CONTACT (B)  
#4 GAGE

SOCKET CONTACT (C)  
#20 GAGE

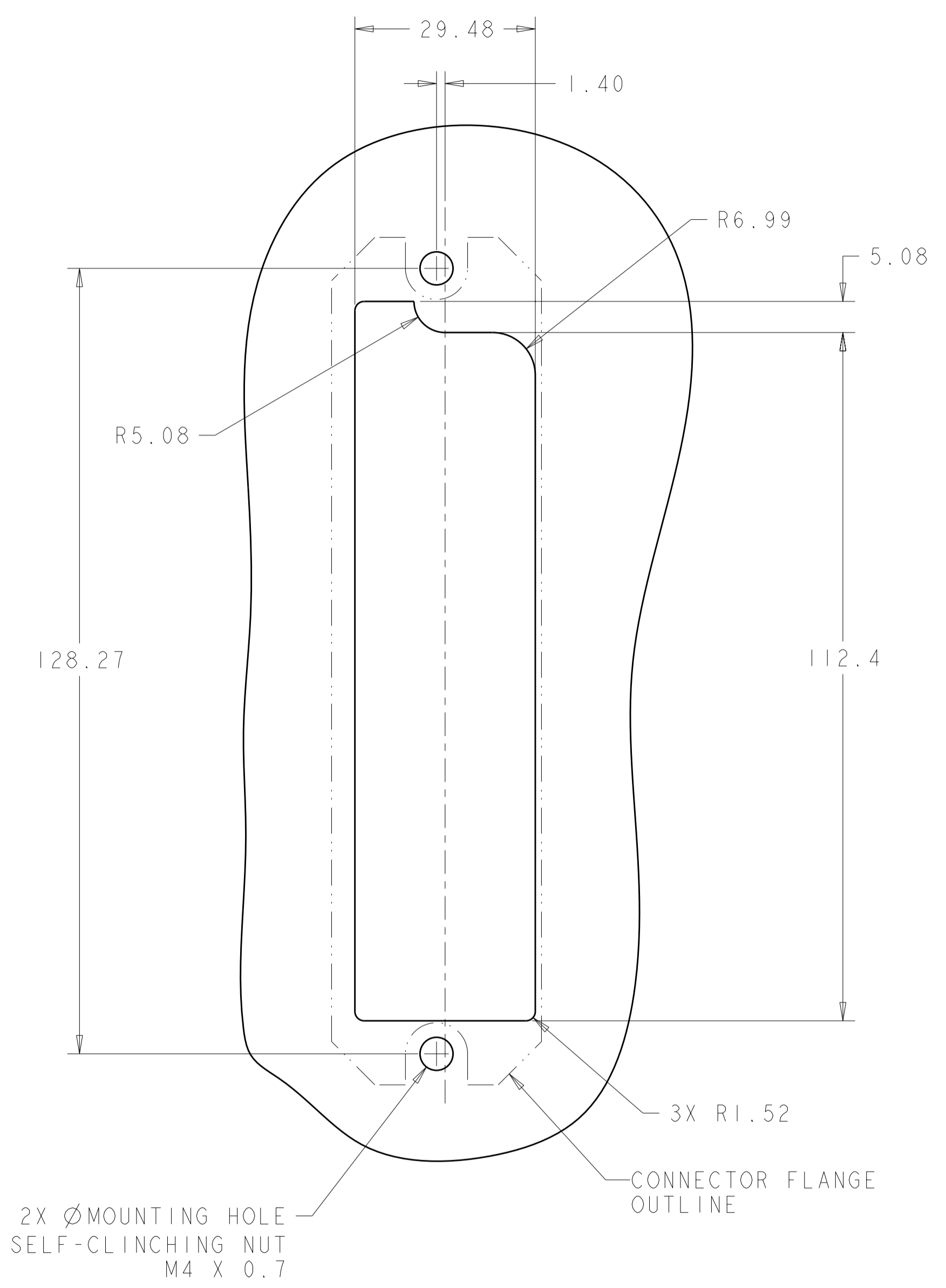
SOCKET CONTACT (B)  
#4 GAGE

BOTTOM VIEW

**ELCON** CUSTOM DRAWER

<small>THIS DRAWING IS A CONTROLLED DOCUMENT FOR TYCO ELECTRONICS CORPORATION. IT IS SUBJECT TO CHANGE AND THE CONTROLLING ENGINEERING ORGANIZATION SHOULD BE CONTACTED FOR THE LATEST REVISION.</small>		DWN R. GRZYBOWSKI 10SEPT08 CHK D. ORRIS 10SEPT08 APVD M. PERCHERKE 10SEPT08	Tyco Electronics Harrisburg, PA 17105-3608
DIMENSIONS: mm 	TOLERANCES UNLESS OTHERWISE SPECIFIED: 0 PLC ±- 1 PLC ±0.5 2 PLC ±0.25 3 PLC ±- 4 PLC ±- ANGLES ±2 FINISH	PRODUCT SPEC APPLICATION SPEC WEIGHT CUSTOMER DRAWING	NAME SOCKET CONNECTOR ASSEMBLY 6PS18 CUSTOMER DRAWER SIZE CAGE CODE DRAWING NO RESTRICTED TO A200779 C-1926991 -
		SCALE 1:1 SHEET 1 OF 2 REV A	

LOC	DIST	REVISIONS					
GP	00	P	LTR	DESCRIPTION	DATE	DWN	APVD
		-		SEE SHEET 1			



- PART NUMBER CHANGES AND OR DESIGN CHANGES AFFECTING THE INTERCHANGEABILITY REQUIRE PRIOR TYCO ELECTRONICS APPROVAL AND AUTHORIZATION BY REVISION TO THIS DRAWING.
- MATERIAL:  
 INSULATOR: THERMOPLASTIC, GLASS REINFORCED, FLAMMABILITY RATED, COLOR: BLACK  
 CONTACT: COPPER  
 RETENTION CLIPS: BERYLLIUM COPPER OR STAINLESS STEEL  
 SHOULDER SCREW: STAINLESS STEEL  
 CROWN BAND: BERYLLIUM COPPER
- FINISH:  
 CONTACT SIZE #20: GOLD PLATE 0.254µm MIN THK. OVER NICKEL 1.27µm MIN THK.  
 CONTACT SIZE #4 : SILVER PLATE 5.08µm OVER NICKEL 1.27µm MIN THK.  
 CROWN BAND: GOLD PLATE 0.254µm MIN THK. OVER NICKEL 1.27µm MIN THK.

△ 4 ITEMS PROVIDED TO THIS SPECIFICATION TO BE PERMANENTLY IDENTIFIED PER THE FOLLOWING IDENTIFIER:

YEAR] [WEEK

TYCO ELECTRONICS P/N                      DATE CODE (e.g. 0216)

XXXXXXX-X                                      XXXX

△ 5 CRIMP CONTACTS AND SHOULDER SCREW (ITEMS B,C AND D) ARE PACKAGED SEPARATELY AND PLACED IN THE BOX WITH THE CONNECTOR ASSEMBLY.

△ 5	2	1650589-1	SCREW, SHOULDER, FLOAT, M4 X 0.7	D
△ 5	18	1648325-1	CONTACT, SOCKET, SIZE #20, CRIMP	C
△ 5	4	6648434-1	CONTACT, SOCKET, SIZE #4, CRIMP	B
	1	6651810-2	SOCKET HOUSING, SUBASSEMBLY	A
	-1	PART NO.	DESCRIPTION	ITEM

**SUGGESTED PANEL CUTOUT**  
 VIEW FROM CONNECTOR MOUNTING SIDE

<small>THIS DRAWING IS A CONTROLLED DOCUMENT FOR TYCO ELECTRONICS CORPORATION. IT IS SUBJECT TO CHANGE AND THE CONTROLLING ENGINEERING ORGANIZATION SHOULD BE CONTACTED FOR THE LATEST REVISION.</small>		DWN R. GRZYBOWSKI 10SEPT08 CHK D. ORRIS 10SEPT08 APVD M. PERCHERKE 10SEPT08	Tyco Electronics Harrisburg, PA 17105-3608
DIMENSIONS: mm 	TOLERANCES UNLESS OTHERWISE SPECIFIED: 0 PLC ± 1 PLC ±0.5 2 PLC ±0.25 3 PLC ± 4 PLC ± ANGLES ±2 FINISH	PRODUCT SPEC APPLICATION SPEC WEIGHT	NAME SOCKET CONNECTOR ASSEMBLY 6PS18 CUSTOMER DRAWER SIZE CAGE CODE DRAWING NO RESTRICTED TO A200779C-1926991 -
MATERIAL		CUSTOMER DRAWING	SCALE 1:1 SHEET 2 OF 2 REV A

**ELCON CUSTOM DRAWER**