

This drawing involves proprietary design rights of Tyco Electronics Corporation, and all design, manufacture, reproduction, use and sale rights regarding the same are expressly reserved. It is submitted for a specific purpose and the recipient by accepting this drawing, assumes custody and control and agrees to take reasonable precautions; (a) that this drawing will not be copied and reproduced, in whole or in part, or its contents revealed in any manner, or to any person except to meet the purpose for which it was delivered and (b) that any special features peculiar to this design will not be incorporated in other projects without the expressed written permission of Tyco Electronics Corporation.

REVISIONS			
EC	REV	DESCRIPTION	DATE
—	A	NEW RELEASE	06/22/05

NOTES: UNLESS OTHERWISE SPECIFIED.

1. PART NUMBER CHANGES AND OR DESIGN CHANGES AFFECTING ITEM INTERCHANGEABILITY REQUIRE PRIOR ELCON APPROVAL AND AUTHORIZATION BY REVISION TO THIS DRAWING.

2. MATERIALS:

INSULATORS: THERMOPLASTIC, GLASS REINFORCED, COLOR-BLACK, UL94V-0 FLAMMABILITY RATED.

COMPLIANT SIGNAL PIN: PHOSPHOR BRONZE ALLOY.

POWER CONTACTS: PHOSPHOR BRONZE ALLOY, COPPER ALLOY.

CROWN BANDS: BERYLLIUM COPPER ALLOY.

3. FINISHES:

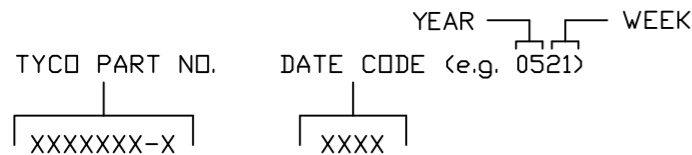
CONTACTS: GOLD PLATED PER MIL-G-45204 TYPE II, CLASS 0, .000030" MIN. THK, OVER NICKEL PER QQ-N-290, CLASS 2, .000040" MIN. THICKNESS.

TERMINALS: TIN PLATED, MATTE FINISH .000040" MIN. THICKNESS.

4 SIGNAL MODULE ARE ALL PREMATE PINS.

5 MOUNTING FLANGES ACCEPT M3 OR NO. 4 SCREWS, (USER SUPPLIED)

6. ITEMS PROVIDED TO THIS SPECIFICATION TO BE PERMANENTLY IDENTIFIED PER THE FOLLOWING IDENTIFIER:



7. MODULE INFORMATION

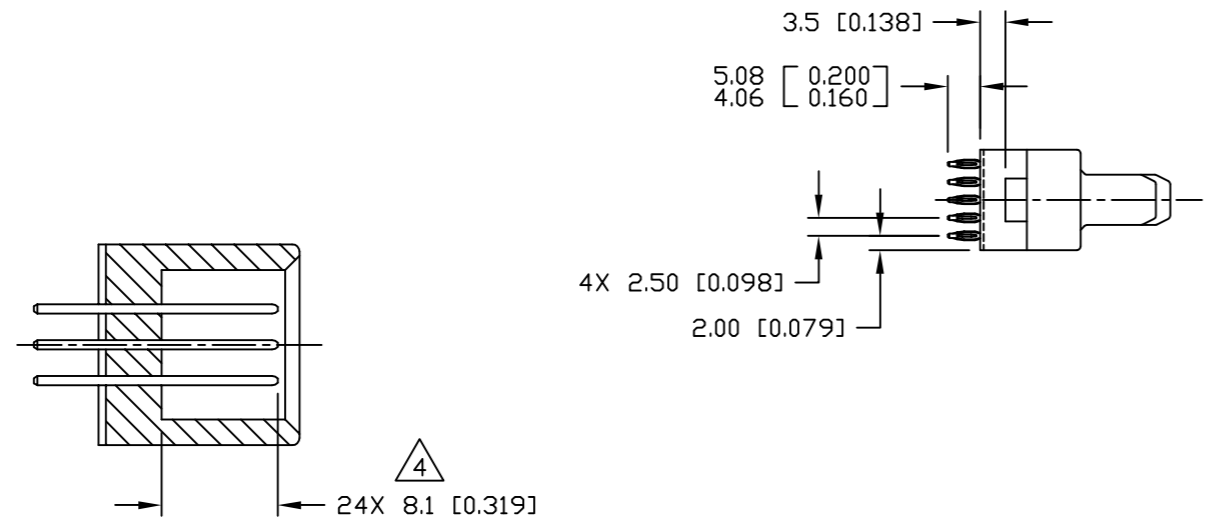
CONNECTOR	TYCO PART NUMBER	CATALOG MODULE #	QTY	SIZE NO.	CONTACT QTY	MATING PIN	MAX. CURRENT (PER CONTACT)	CONTACT SPACING	VOLTAGE RATING*
PIN	1766692-1	FP0201	4	8	4	1.25 X 7.00 [.049 X .276]	35 AMPERES	7.50 [2953]	250 VOLTS
		FP0202	1		1				
		FP0400	1	22	24	.64 [025] SQ.	3 AMPERES	2.50 [0984]	125 VOLTS
		FP0500	1	LEFT MOUNTING FLANGE					
		FP0501	1	RIGHT MOUNTING FLANGE					

*IAW IEC-950

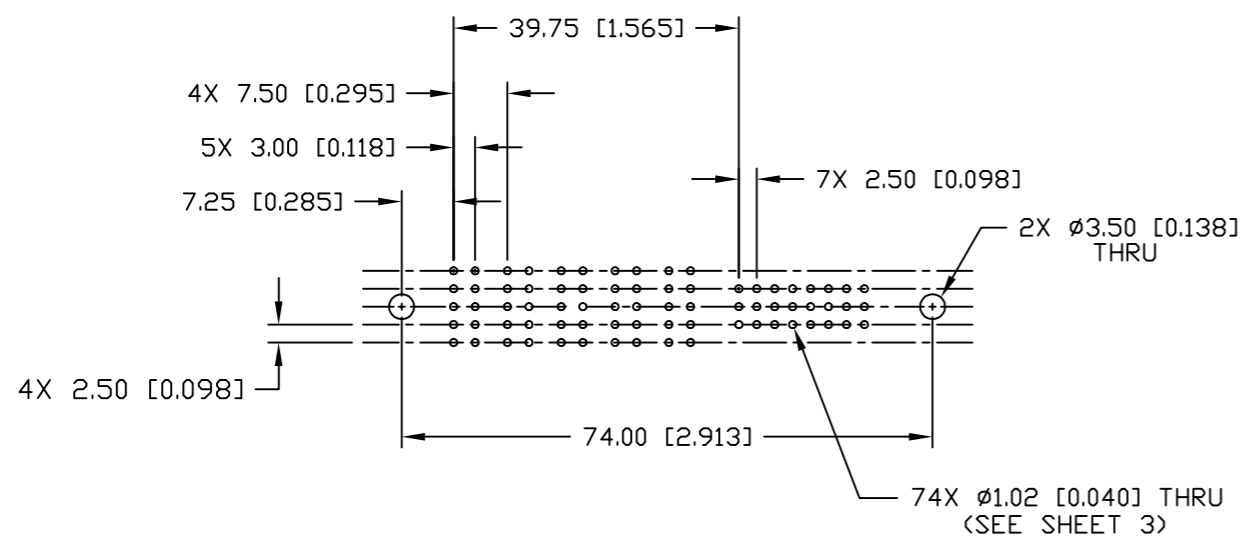
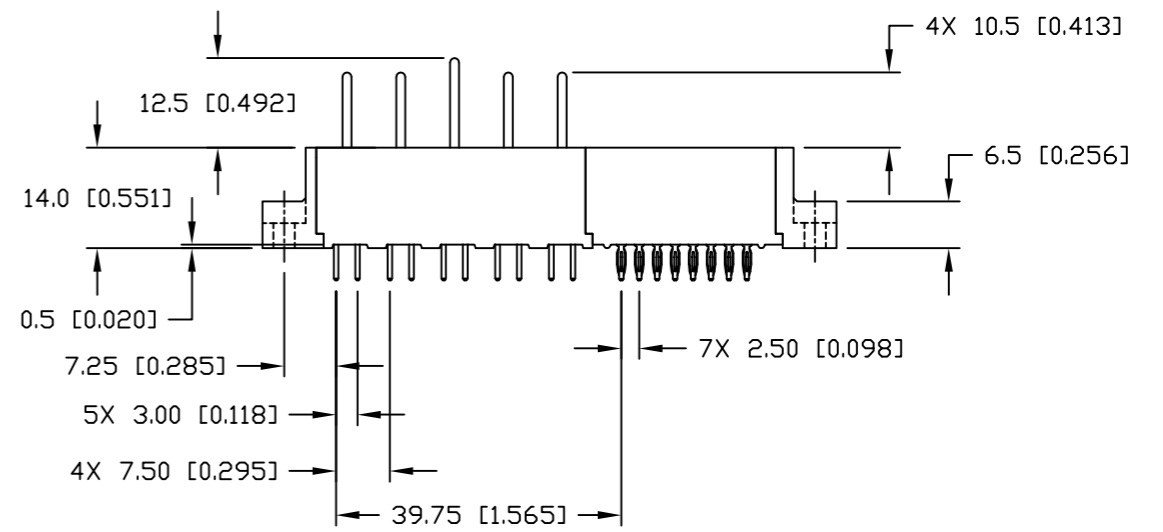
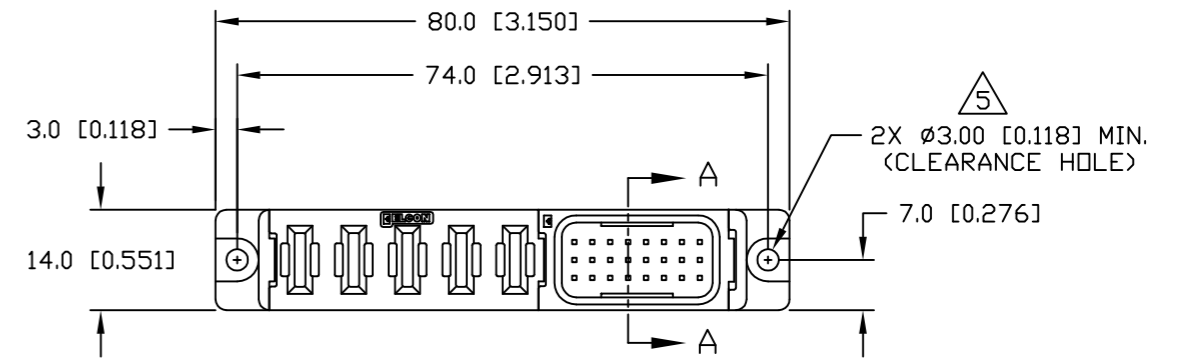
<p>THIRD ANGLE PROJECTION</p> <p>UNLESS OTHERWISE SPECIFIED DIMENSIONS ARE IN METRIC [INCHES]</p> <p>TOLERANCES</p> <p>ANGLES ± .5°</p> <p>DECIMALS</p> <p>.XX ± .25 [.010]</p> <p>.X ± .5 [.020]</p>	<p>MM OR MM [INCH]</p> <p>INCH</p>	<p>DRAWN</p> <p>R. F. A.</p>	<p>DATE</p> <p>06/22/05</p>	<p>tyco Tyco Electronics Corporation Electronics Menlo Park, Ca 94025</p>		<p>ELCON</p>	
	<p>CHECKED</p>		<p>TITLE</p> <p>CONNECTOR, PIN, STRAIGHT COMPLIANT TAILS, FLATPAQ PN 1766692-1</p>		<p>SIZE</p> <p>B</p>		<p>REV.</p> <p>A</p>
	<p>APPROVED</p>		<p>D. CHAU</p> <p>08/01/05</p>	<p>DWG NUMBER</p> <p>C = 1766692</p>		<p>SH 1 OF 3</p>	
	<p>APPROVED</p>		<p>M. ALIM</p> <p>08/02/05</p>	<p>ACAD FILE NUMBER</p> <p>C1766692A.DWG</p>		<p>DWG SCALE 1=1</p>	

This drawing involves proprietary design rights of Tyco Electronics Corporation, and all design, manufacture, reproduction, use and sale rights regarding the same are expressly reserved. It is submitted for a specific purpose and the recipient by accepting this drawing, assumes custody and control and agrees to take reasonable precautions; (a) that this drawing will not be copied and reproduced, in whole or in part, or its contents revealed in any manner, or to any person except to meet the purpose for which it was delivered and (b) that any special features peculiar to this design will not be incorporated in other projects without the expressed written permission of Tyco Electronics Corporation.

REVISIONS			
EC	REV	DESCRIPTION	DATE
		SEE SHEET 1	



SECTION A-A



PRINTED CIRCUIT LAYOUT

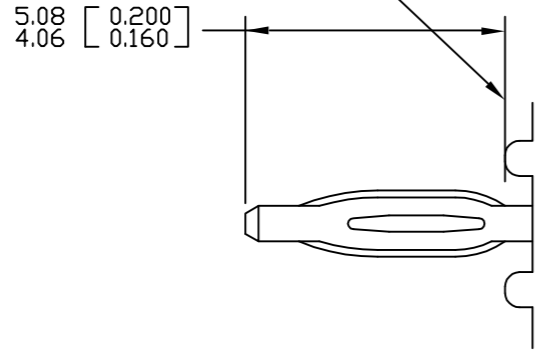
THIRD ANGLE PROJECTION UNLESS OTHERWISE SPECIFIED DIMENSIONS ARE IN METRIC [INCHES] TOLERANCES ANGLES ± .5° DECIMALS .XX ± .25 [.010] .X ± .5 [.020]	DRAWN R. F. A.	DATE 06/22/05	tyco Tyco Electronics Corporation Electronics Menlo Park, Ca 94025 ELCON	
	CHECKED			TITLE
	APPROVED		APPROVED	CONNECTOR, PIN, STRAIGHT COMPLIANT TAILS, FLATPAQ PN 1766692-1
	APPROVED		APPROVED	SIZE DWG NUMBER REV. B C = 1766692 A
	D. CHAU	08/01/05		
	M. ALIM	08/02/05		
	ACAD FILE NUMBER	C1766692A.DWG		
			DWG SCALE 1=1 SH 2 OF 3	

This drawing involves proprietary design rights of Tyco Electronics Corporation, and all design, manufacture, reproduction, use and sale rights regarding the same are expressly reserved. It is submitted for a specific purpose and the recipient by accepting this drawing, assumes custody and control and agrees to take reasonable precautions; (a) that this drawing will not be copied and reproduced, in whole or in part, or its contents revealed in any manner, or to any person except to meet the purpose for which it was delivered and (b) that any special features peculiar to this design will not be incorporated in other projects without the expressed written permission of Tyco Electronics Corporation.

REVISIONS

EC	REV	DESCRIPTION	DATE
		SEE SHEET 1	

P.C. BOARD SURFACE REF

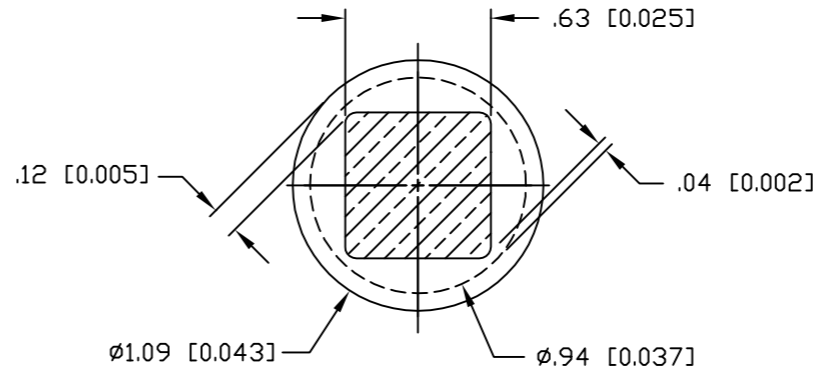


COMPLIANT PIN DETAIL

INSERTION/EXTRACTION FORCES

MAXIMUM PUSH-IN: 133.3N PER PIN [30 LBS]

MINIMUM PUSH-OUT: 44.4N PER PIN [10 LBS]



SOLDER TERMINATION AREA

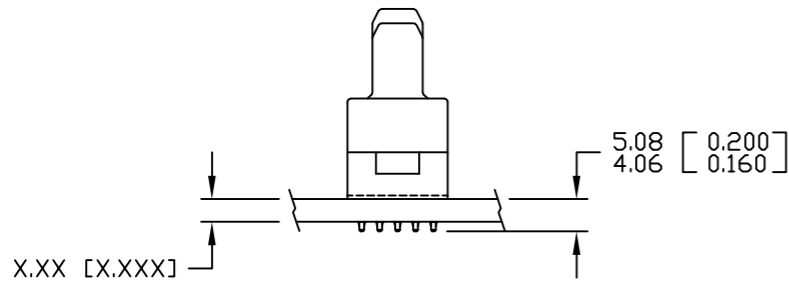
RECOMMENDED PRINTED CIRCUIT HOLE

FINISHED HOLE: $\phi 1.02 [0.040] \pm .08 [0.003]$

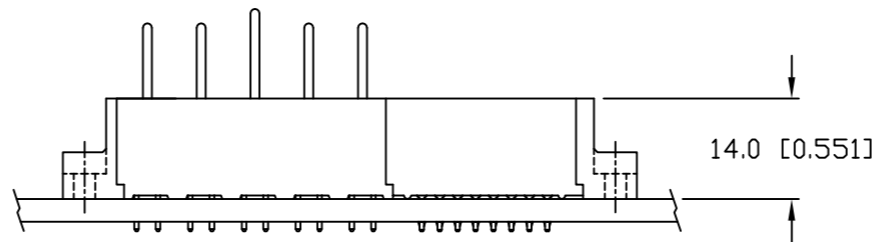
DRILLED HOLE: $\phi 1.15 [0.0453] \pm .013 [0.0005]$

COPPER PLATE: .025 [0.0010] MINIMUM (PER SURFACE)

TIN PLATE: .008 [0.0003] MINIMUM (PER SURFACE)



PCB MOUNT



<p>MM OR MM [INCH]</p> <p>THIRD ANGLE PROJECTION</p> <p>UNLESS OTHERWISE SPECIFIED DIMENSIONS ARE IN METRIC [INCHES]</p> <p>TOLERANCES</p> <p>ANGLES $\pm .5^\circ$</p> <p>DECIMALS</p> <p>.XX $\pm .25 [0.010]$</p> <p>.X $\pm .5 [0.020]$</p>	<p>DRAWN</p> <p>R. F. A.</p>	<p>DATE</p> <p>06/22/05</p>	<p>tyco Tyco Electronics Corporation</p> <p>Electronics Menlo Park, Ca 94025</p> <p>ELCON</p>	
	<p>CHECKED</p>	<p>APPROVED</p>		<p>TITLE</p> <p>USER INFORMATION</p> <p>COMPLIANT TAIL TERMINATION</p> <p>AND PCB MOUNT</p>
	<p>APPROVED</p>	<p>APPROVED</p>	<p>D. CHAU</p> <p>08/01/05</p>	<p>SIZE DWG NUMBER</p> <p>B C = 1766692</p>
	<p>DCA APPROVED</p> <p>M. ALIM</p> <p>08/02/05</p>	<p>ACAD FILE NUMBER</p> <p>C1766692A.DWG</p>	<p>DWG SCALE</p> <p>1 = 1</p>	<p>REV.</p> <p>A</p>