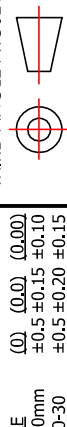


UNLESS OTHERWISE STATED

ALL DIMENSIONS IN mm

DO NOT SCALE



THIRD ANGLE PROJECTION
ANGULAR TOLERANCE ±0.5 DEGREES
UNSPECIFIED RADIUS 0.25mm
DRAFT ANGLE 0.5 DEGREES
DIMENSIONS IN BRACKETS [] IN INCHES FOR REFERENCE ONLY

ORG. SCALE: 2:1

CREATE DATE: 26/06/22

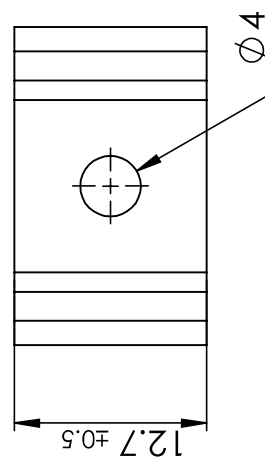
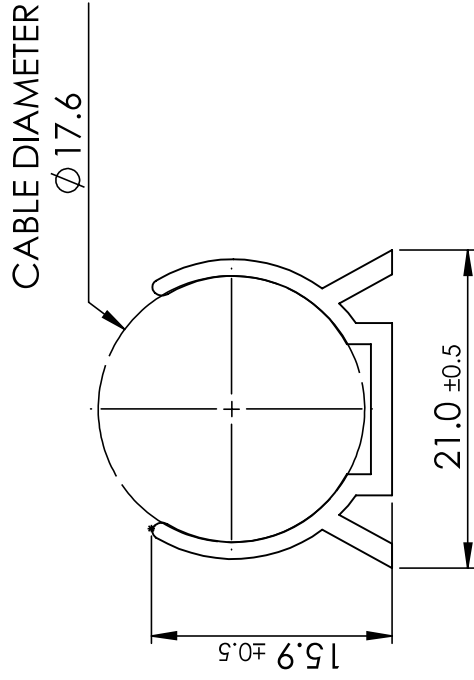
MATERIAL: PVC_BLACK

Part ID: 1145371

Project: P110840-

TITLE: U CLAMP

DWG. No. V-1007



1:1

APPROVED - UNCONTROLLED