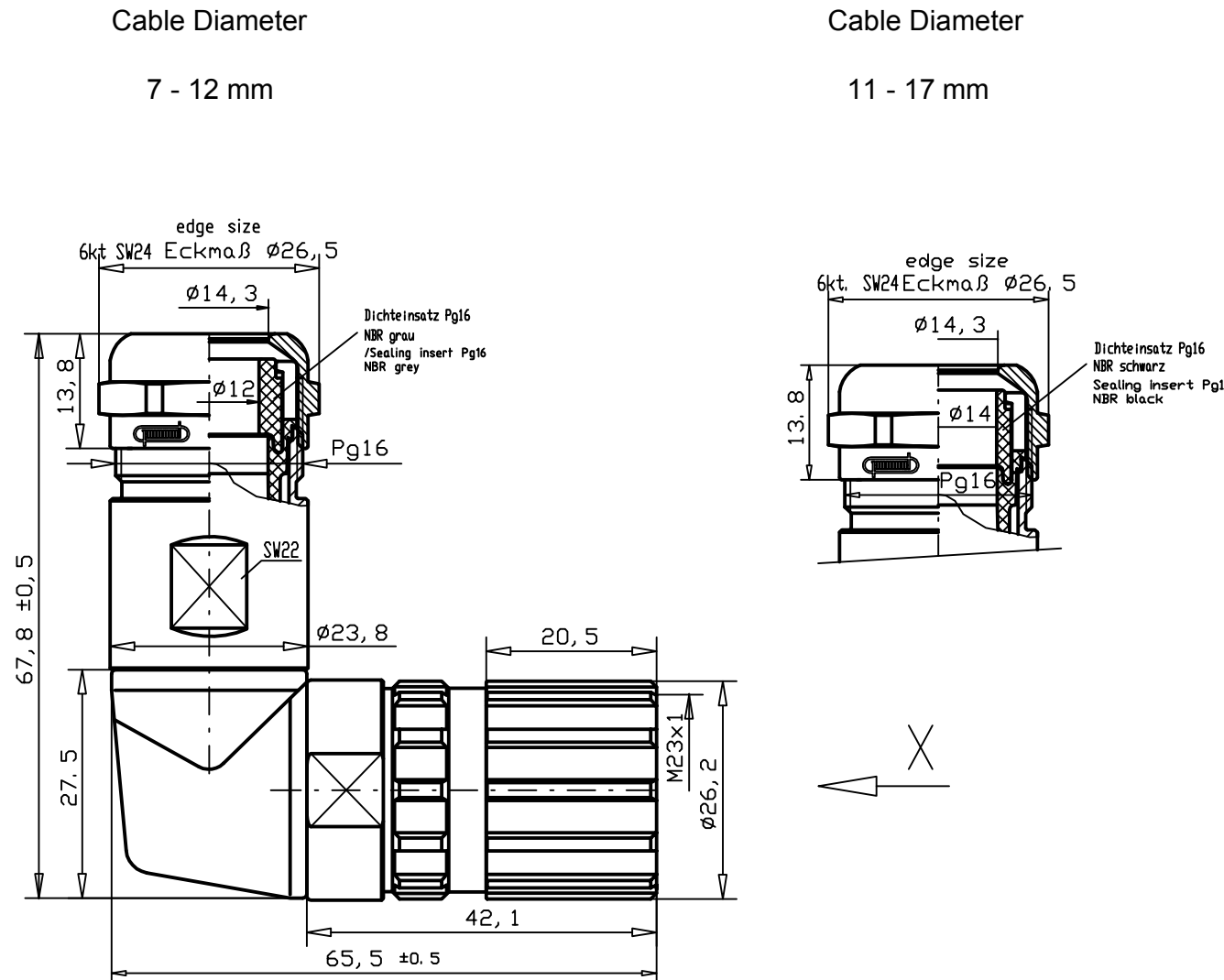
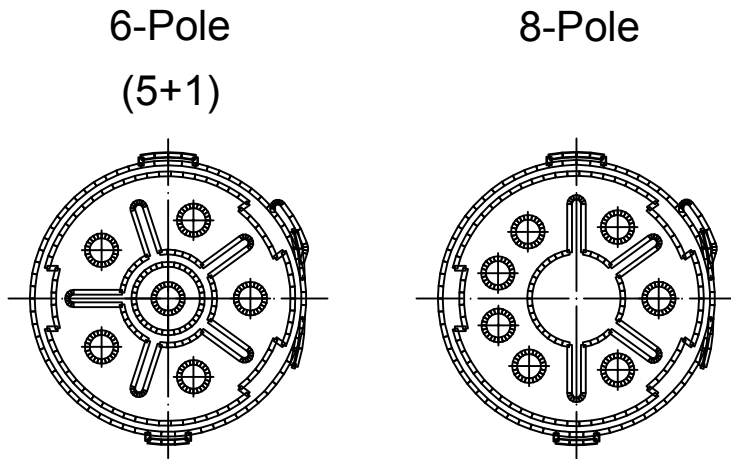


Views from "X" rotated



| Cable Diameter | | Crimp Contacts | Without Contacts |
|----------------|--------------|--|------------------|
| 6 Pole (5+PE) | 7 - 12mm | KAP6S01-105 | KAP6S01-005 |
| | | 1202330009 | 1202330011 |
| | 11 - 17mm | KAP6S01-109 | KAP6S01-009 |
| | | 1202330010 | 1202330012 |
| | Crimp range* | 0,75-2,5mm ² | |
| 8 Pole | 7 - 12mm | KAP8S01-115 | KAP8S01-005 |
| | | 1202330013 | 1202330015 |
| | 11 - 17mm | KAP8S01-119 | KAP8S01-009 |
| | | 1202330014 | 1202330016 |
| | Crimp range* | 0,25-1,0mm ² /0,75-2,5mm ² | |

*Crimp range only applies to "Crimp Contacts" version

Notes:

Tolerances (unless specified): DIN ISO 2768 m

| DESCRIPTION | QUALITY SYMBOLS | GENERAL TOLERANCES (UNLESS SPECIFIED) | | DIMENSION STYLE | SCALE | DESIGN UNITS | FIRST ANGLE PROJECTION | |
|--|-----------------|---------------------------------------|-------|-----------------|---|--------------|--|------|
| | | mm | INCH | MM | --- | METRIC | | |
| EC NO.: WEU2009-0135 DRWN: BBRAUCH 2008/11/18 CH'KD: --- APPR: JKOLB 2009/03/02 | ▽ = 0 ▽C = 0 | 4 PLACES | ±---- | ±---- | DRAWN BY | DATE | M23 FIELD-ATTACHABLE CABLE CONNECTOR FEMALE 90 DEG | |
| | | 3 PLACES | ±---- | ±---- | BB | 2008/11/18 | | |
| | | 2 PLACES | ±0.05 | ±---- | CHECKED BY | DATE | | |
| | | 1 PLACE | ±0.1 | ±---- | JKO | 2008/12/09 | APPROVED BY | DATE |
| | | ANGULAR ± --- ° | | | | --- | --- | --- |
| DRAFT WHERE APPLICABLE MUST REMAIN WITHIN DIMENSIONS | | | | MATERIAL NO. | DOCUMENT NO. | SHEET NO. | | |
| | | | | see table | SD-120233-002 | 1 OF 1 | | |
| | | | | SIZE A3 | THIS DRAWING CONTAINS INFORMATION THAT IS PROPRIETARY TO MOLEX INCORPORATED AND SHOULD NOT BE USED WITHOUT WRITTEN PERMISSION | | | |