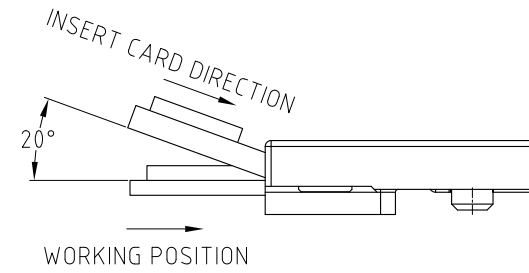
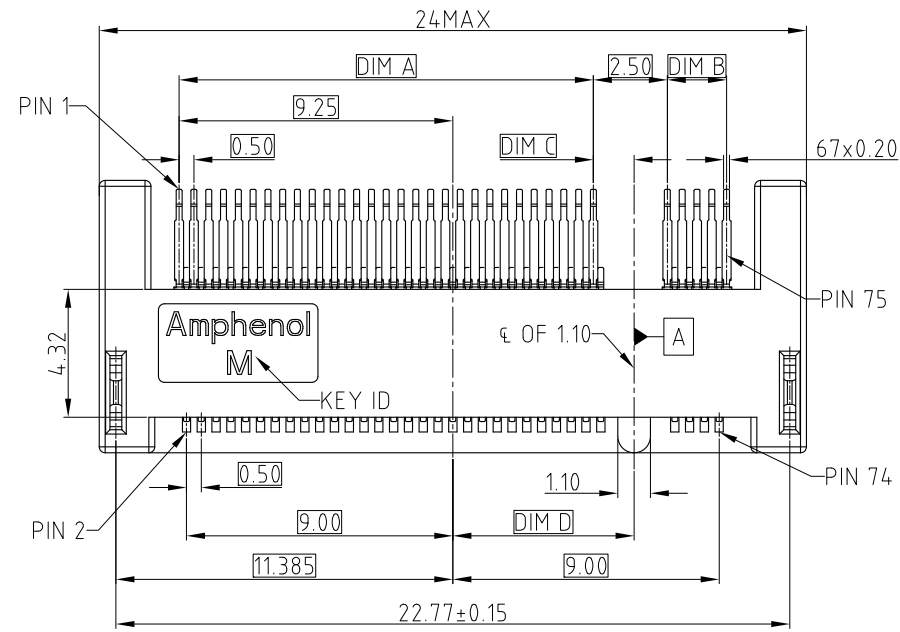


This document is the property of Amphenol Corporation and is delivered on the express condition that it is not to be disclosed, reproduced or used, in whole or in part, for manufacture or sale by anyone other than Amphenol Corporation without its prior consent, & that no right is granted to disclose or to use any information in this document.

CUSTOMER DRAWING

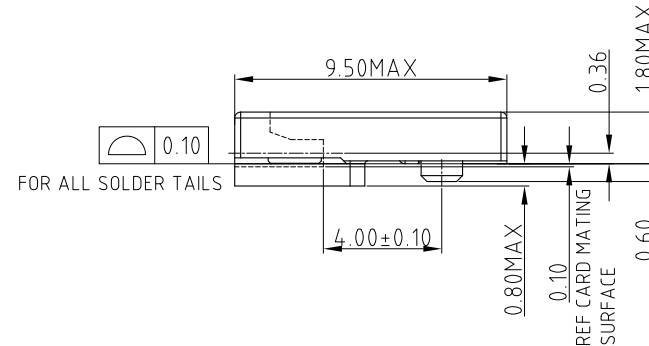
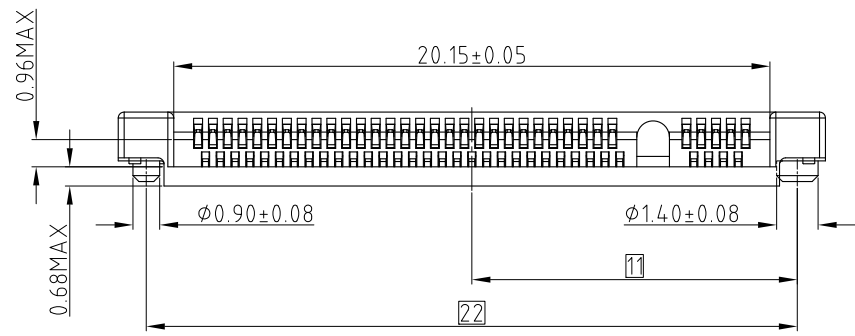
REVISIONS

SYM	ECN	DESCRIPTION	DATE	APPROVED
1	CD0620	NEW RELEASE	JAN.06,2014	YH
2	CD1061	UPDATE DRAWING	Jun.30,2017	YH



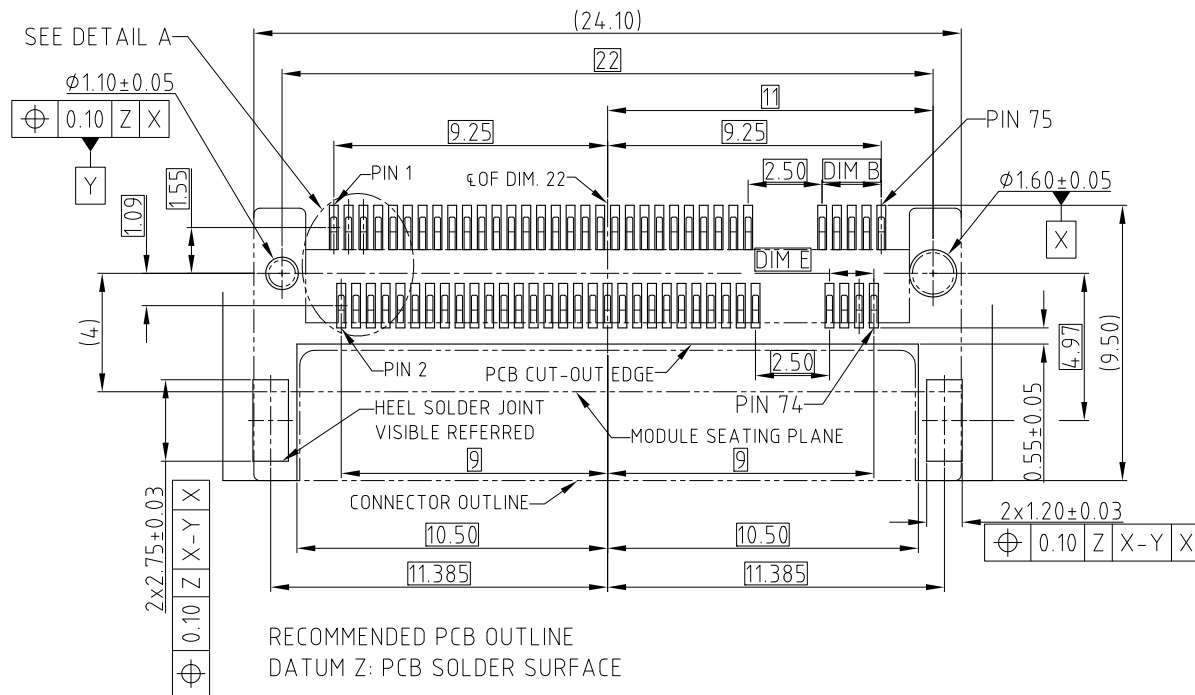
NOTE:

- MATERIAL:
 PLASTIC: LCP, UL 94V-0, BLACK
 CONTACT: COPPER ALLOY
 BOARD LOCK: ALLOY
- FINISHED:
 CONTACT AREA: SEE P/N SYSTEM
 SOLDER AREA: GOLD FLASH
 BOARD LOCK: TIN PLATING
 UNDERPLATED: NI PLATING
- ELECTRICAL PERFORMANCE:
 3.1 CURRENT RATING: 0.5A PER PIN, VOLTAGE RATING: 50 VAC PER PIN
 3.2 DIELECTRIC STRENGTH: 300V AC FOR 1 MINUTE
 3.3 INSULATION RESISTANCE: 500MΩ MIN
 3.4 CONTACT RESISTANCE: 55mΩ MAX
 3.5 OPERATION TEMPERATURE: -40°C TO +85°C
- MATERIAL SHOULD BE FULFILLED AMPHENOL SPEC# S-SN-002
- PRODUCT SHOULD BE FULFILLED AMPHENOL PACKAGE SPEC#PKS-MTD-001



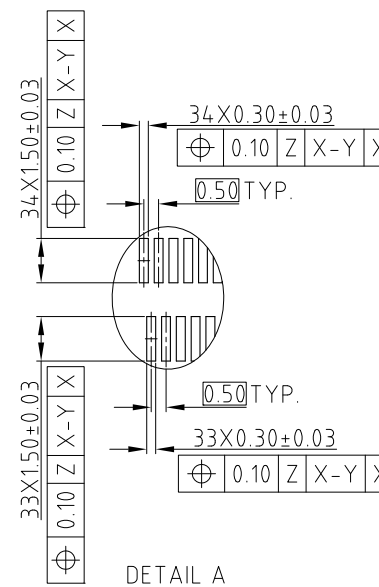
ORDER P/N SYSTEM:

MDT 180 X XX 001
 PLATING
 01 0.76 MICRONS GOLD PLATING
 02 0.38 MICRONS GOLD PLATING
 03 GOLD FLASH
 CONNECTOR KEY ID
 A - KEY A
 B - KEY B
 E - KEY E
 M - KEY M
 ...



RECOMMENDED PCB OUTLINE
 DATUM Z: PCB SOLDER SURFACE

NOTE: PCB WILL NEED TO BE CUT-OUT TO PROVIDE CLEARANCE FOR THE CONNECTOR, THE REFERENCE DIMENSIONS ON THIS FIGURE PROVIDE GUIDANCE. ADDITIONAL CUT-OUT MAY BE REQUIRED FOR THE MODULE.



KEY ID	DIM.A	DIM.B	DIM.C	DIM.D	DIM.E	REMARK
M	14.0	2.0	1.375	6.125	1.50	
E	5.5	10.5	1.125	-2.625	10.50	
B	2.5	13.5		-5.625	13.50	
A	1.5	14.5		-6.625	14.50	

UNLESS OTHERWISE SPECIFIED TOLERANCES		APPROVAL		DATE	
U.S.	METRIC	DRAWN	Yunx.liu	JUN.30,2017	
.X	+/-	CHECKED	Ly.yi	JUN.30,2017	
.XX	+/-	APPROVED			
.XXX	+/-	DRAWING FILE :			
FRACTIONS	+/-	INTERNAL\DRAWING\M.2\CMDT180XXX001			
ANGLES	+/-	ANGLE OF PROJECTION			
	5°				
FOR MATERIALS AND FINISHES SEE NOTES		REMOVE SHARP EDGES			
DIMENSIONS		SCALE			
U.S.	INCHES	NONE			
(METRIC)	(MM)	SHEET 1 OF 1			

Amphenol

TITLE
M.2 MINI PCIe CONECTOR (MID LINE)

SIZE: **A3** DRAWING NO.: **C MDT-180-X-XX-001** REV.: **2**