

For use with IDT's VCXO-based Synchronization PLLs

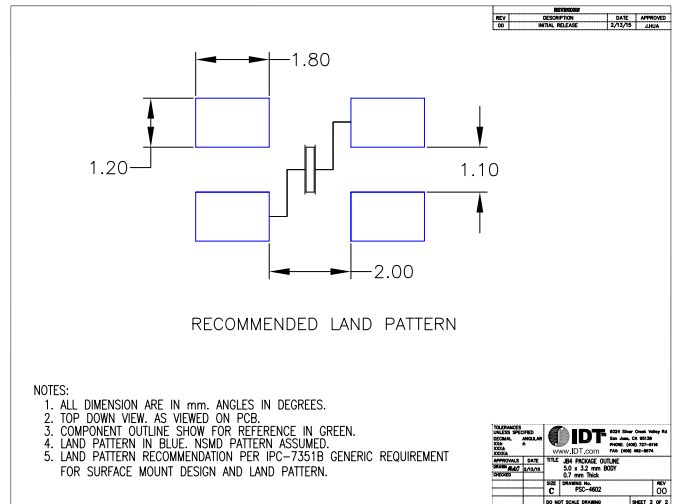
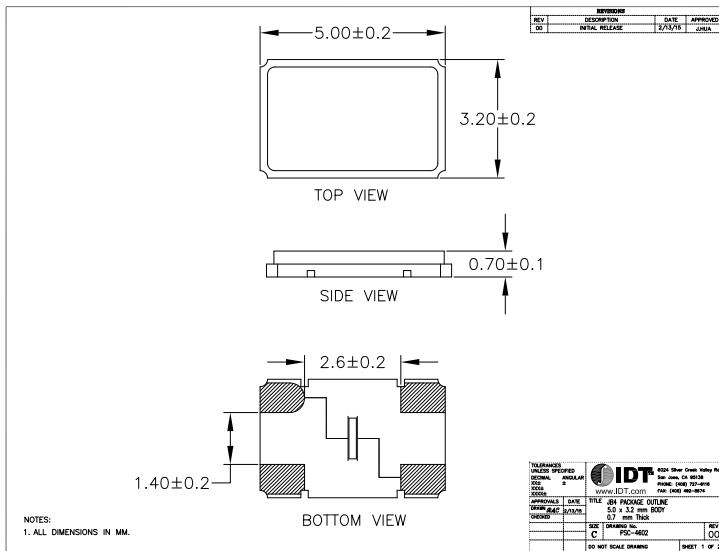
DATASHEET

Specifications

| Parameters | Ratings/Units |
|---|--------------------------------|
| Frequency | 25.78125 MHz |
| Resonance Mode | Fundamental |
| Frequency Tolerance @ 25°C | ±10 PPM |
| Frequency Stability, ref @ 25°C Over Operating Temperature Range | ±20 PPM |
| Temperature Range: Operating (TOPR) Storage (TSTG) | -40°C ~ +85°C -40°C ~ +85°C |
| Equivalent Series Resistance (ESR) | 40 Ohms |
| Shunt Capacitance (Co) | 7.0 pF |
| Load Capacitance (CL) | 10 pF |
| Drive Level | 0.2 mW |
| Pullability 7.5 ~ 14.8 pF | ±60 PPM |
| Aging 10 years | ±11 PPM |
| Maximum Soldering Temperature/Time | 260°C / 10 seconds |
| Moisture Sensitivity Level (MSL) | 1 |
| Termination Finish | Au |
| Weight (Typ) | 42.78 mg |

Note: Dimensional drawing is for reference to critical specifications defined by size measurements. Certain non-critical visual attributes, such as side castellations, etc. may vary. The above specifications, having been carefully prepared and checked, is believed to be accurate at the time of publication; however, no responsibility is assumed by IDT for inaccuracies. All specifications subject to change without notice.

Package Outline and Dimensions (JB4)



Ordering Information

| Part / Order Number | Shipping Packaging | Package | Temperature |
|---------------------|--------------------|------------------------|---------------|
| 495-25.78125-2JB4I | Cut-Tape | 5.0 x 3.2 x 0.7 mm JB4 | -40 to +85 °C |
| 495-2578125-2JB4I8 | Tape and Reel | 5.0 x 3.2 x 0.7 mm JB4 | -40 to +85 °C |



Corporate Headquarters
6024 Silver Creek Valley Road
San Jose, CA 95138 USA

Sales
1-800-345-7015 or 408-284-8200
Fax: 408-284-2775
www.IDT.com

Tech Support
email: clocks@idt.com

DISCLAIMER Integrated Device Technology, Inc. (IDT) and its subsidiaries reserve the right to modify the products and/or specifications described herein at any time and at IDT's sole discretion. All information in this document, including descriptions of product features and performance, is subject to change without notice. Performance specifications and the operating parameters of the described products are determined in the independent state and are not guaranteed to perform the same way when installed in customer products. The information contained herein is provided without representation or warranty of any kind, whether express or implied, including, but not limited to, the suitability of IDT's products for any particular purpose, an implied warranty of merchantability, or non-infringement of the intellectual property rights of others. This document is presented only as a guide and does not convey any license under intellectual property rights of IDT or any third parties.

IDT's products are not intended for use in applications involving extreme environmental conditions or in life support systems or similar devices where the failure or malfunction of an IDT product can be reasonably expected to significantly affect the health or safety of users. Anyone using an IDT product in such a manner does so at their own risk, absent an express, written agreement by IDT.

Integrated Device Technology, IDT and the IDT logo are registered trademarks of IDT. Product specification subject to change without notice. Other trademarks and service marks used herein, including protected names, logos and designs, are the property of IDT or their respective third party owners.

Copyright ©2015 Integrated Device Technology, Inc.. All rights reserved.