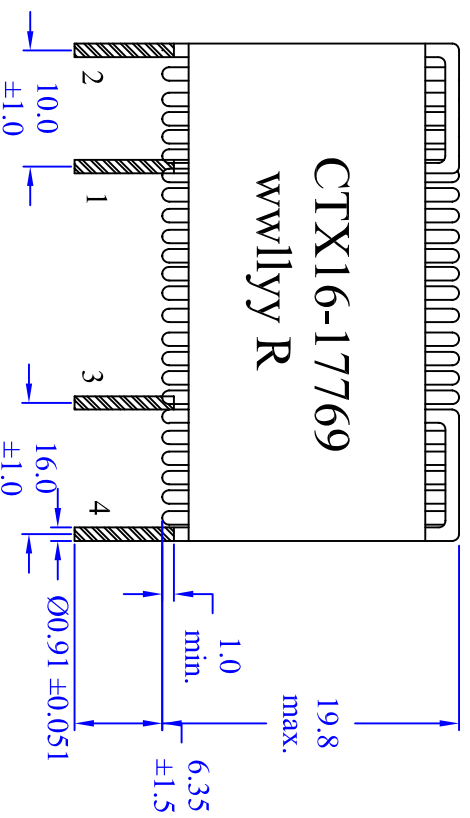
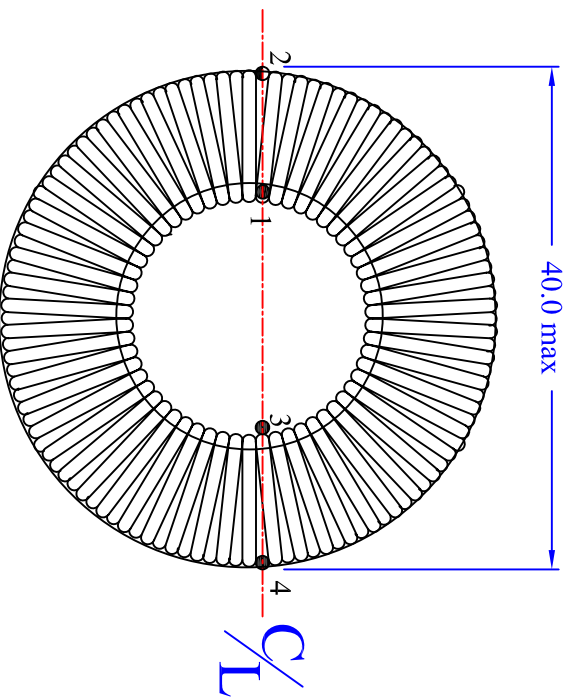


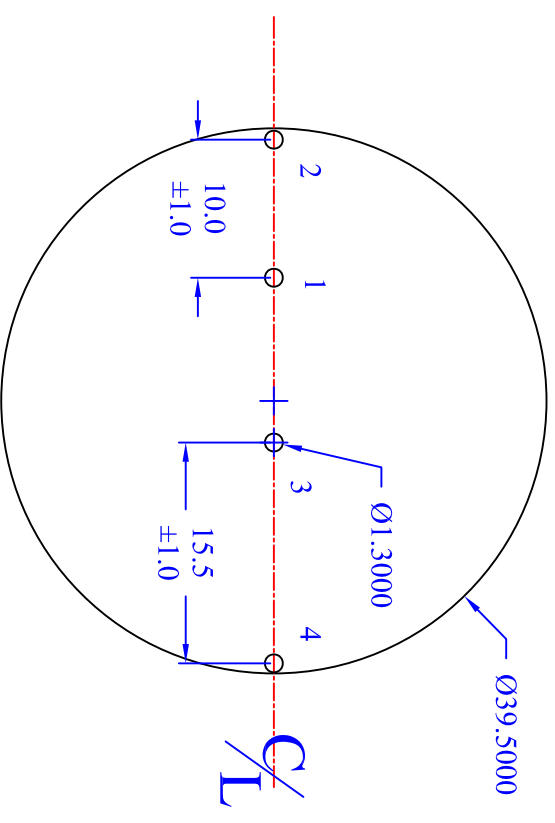
FRONT VIEW



BOTTOM VIEW



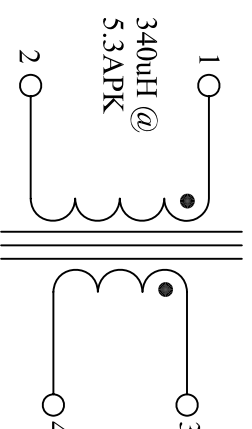
RECOMMENDED PCB LAYOUT



ELECTRICAL CHARACTERISTICS

1. OCL @ 20kHz, 0.10Vrms & 0.0A dc. 323.0 - 380.0 uH.
2. OCL @ 20kHz, 0.10Vrms & 5.3A dc. 313.0 uH min.
3. DCR @ 20°C pins (1 - 2); 0.24 Ohm maximum.
4. DCR @ 20°C pins (3 - 4); 0.035 Ohms maximum.
5. Turns ratio; pins (1 - 2):(3 - 4). 1:0.125

SCHEMATIC



Notes:

- 1) All Dimensions are in millimeters unless otherwise specified.
- 2) Tolerances are +/- 0.3mm unless stated otherwise.
- 3) wwillyy = (Date Code) R= (Revision Level)
- 4) RoHS Compliant

Cooper Electronic Technologies

1225 Broken Sound Parkway NW, Suite F, Boca Raton, FL 33487

Inductor, Boost PFC
85 - 240Vac : 390V, 150 Watts

50kHz, 340uH @ 5.3 A peak
Toroid, Horizontal THT, 4term

Size Drawing Number: CTX16-17769-R

A Revision Level: B Sheet 3 of 6