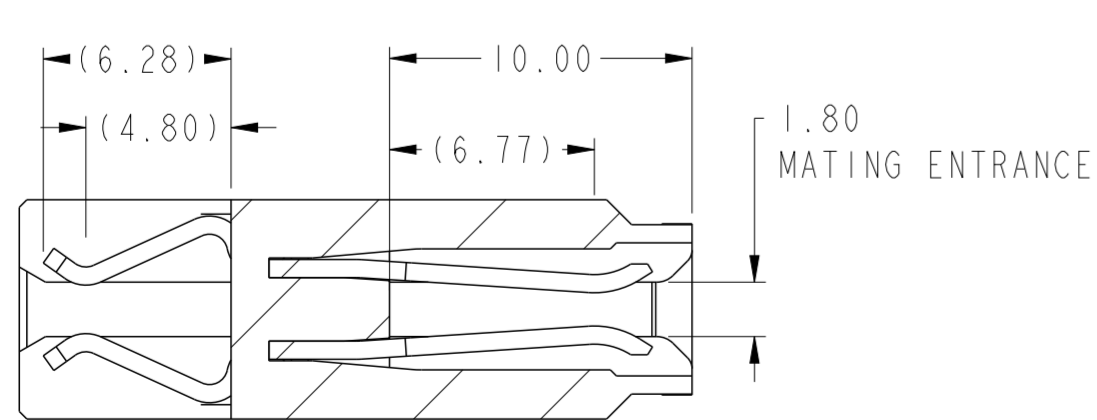
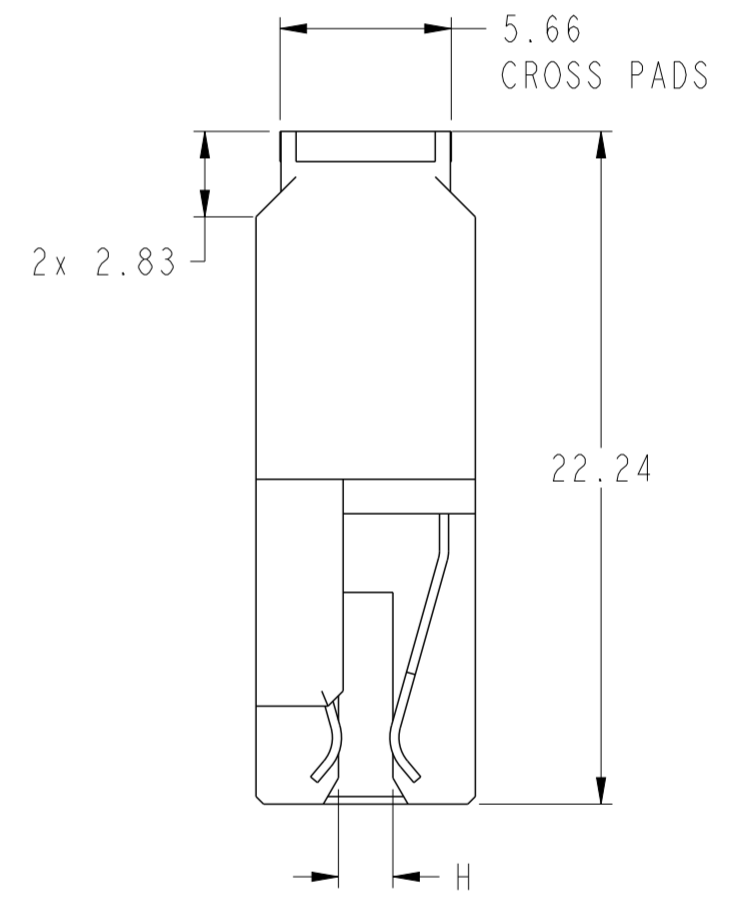
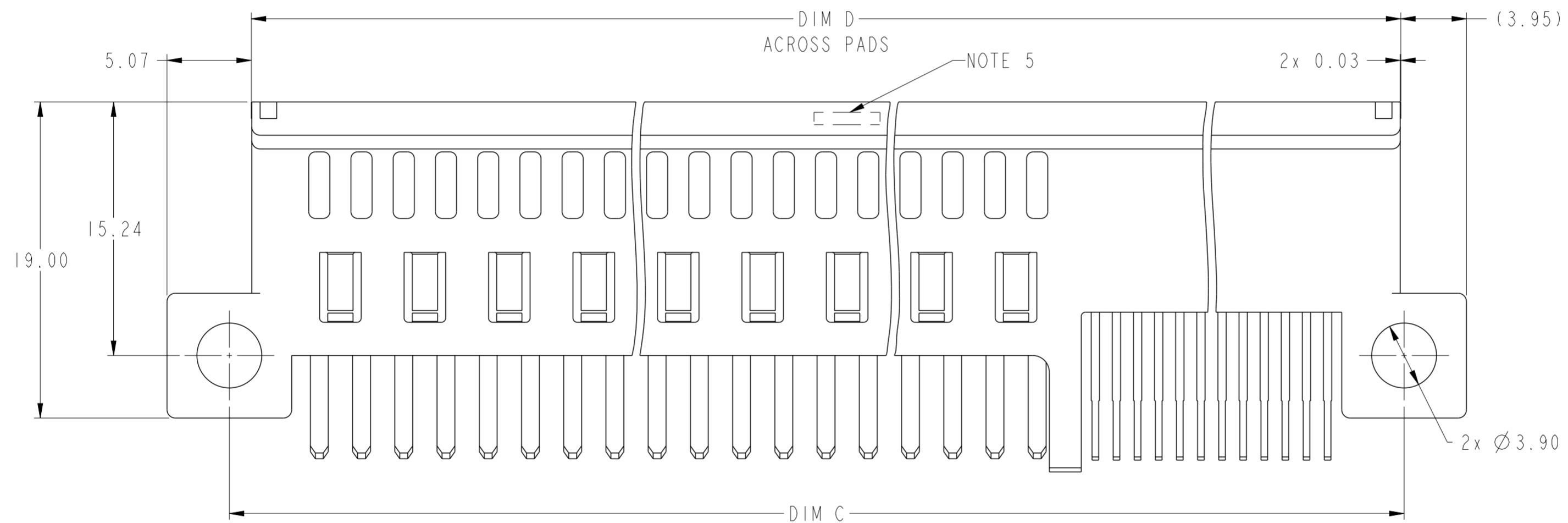
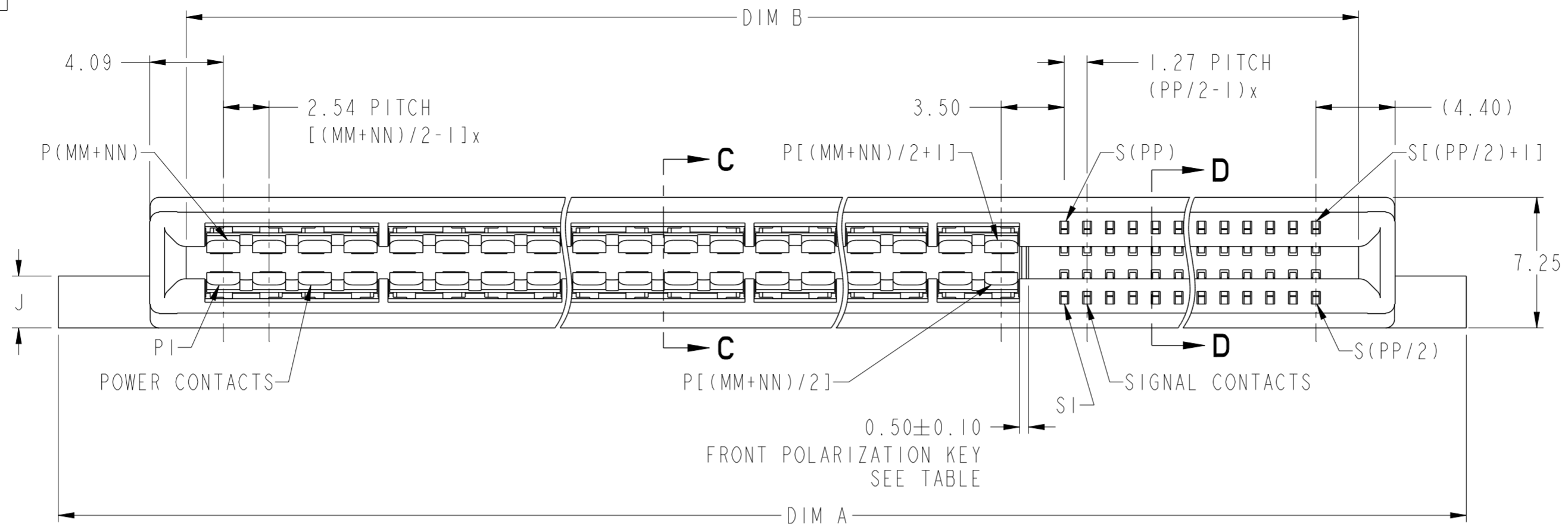
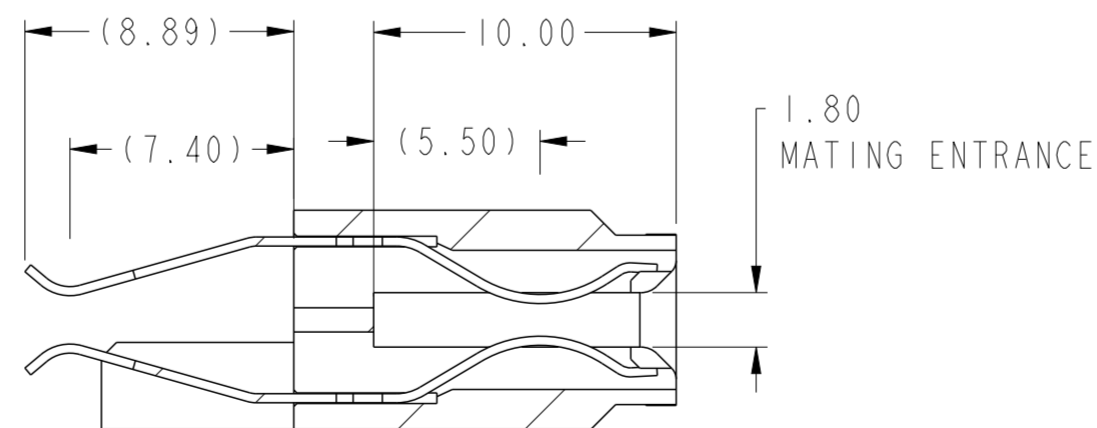


WITH MOUNTING ERRS



SECTION C-C



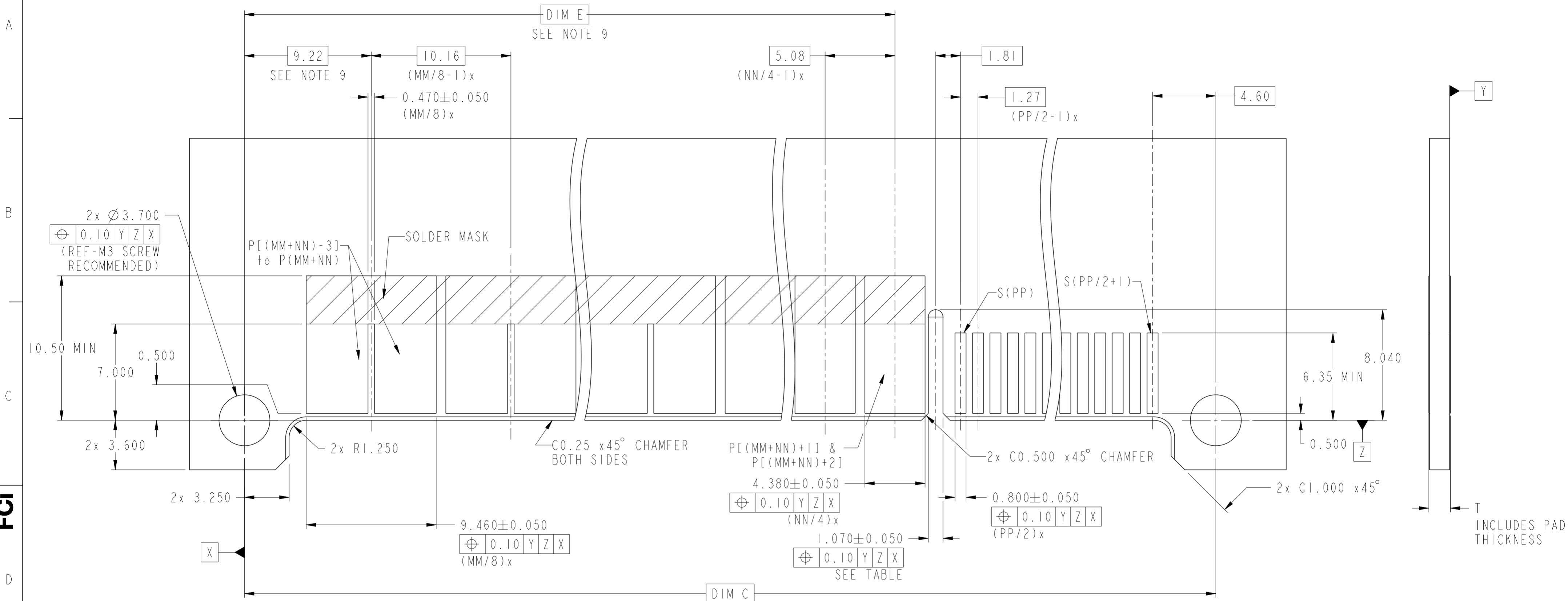
SECTION D-D

spec ref	-	dr	Liu Jenson	2013/08/19	projection	MM	size	A2	scale	4:1			
tolerance std	ISO 406 ISO 1101	eng	Leborn Luo	2018/01/05			ecn no	ELX-DG-24594-1					
TOLERANCES UNLESS OTHERWISE SPECIFIED		chr	Feng Zheng	2018/01/11				rel level	Released				
surface	linear	0.X	±0.5	appr	Pai-Ming Zheng	2018/01/11	product family	CARD EDGE					
		0.XX	±0.25				title	HPCE STMT REC		drg no	10126933	rev	C
		0.XXX	±0.10					UNIVERSAL CUSTOMER DRAWING					
ISO 1302	angular	0°	±2°	cat. no.	-			Product - Customer Drw	sheet 1 of 6				

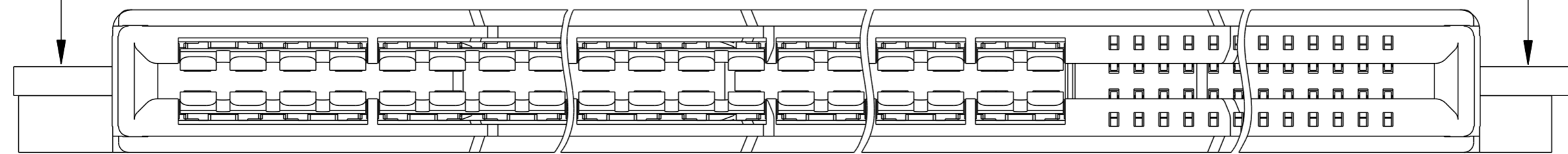
Amphenol FCI

© 2016 APCI

WITH MOUNTING ERRS

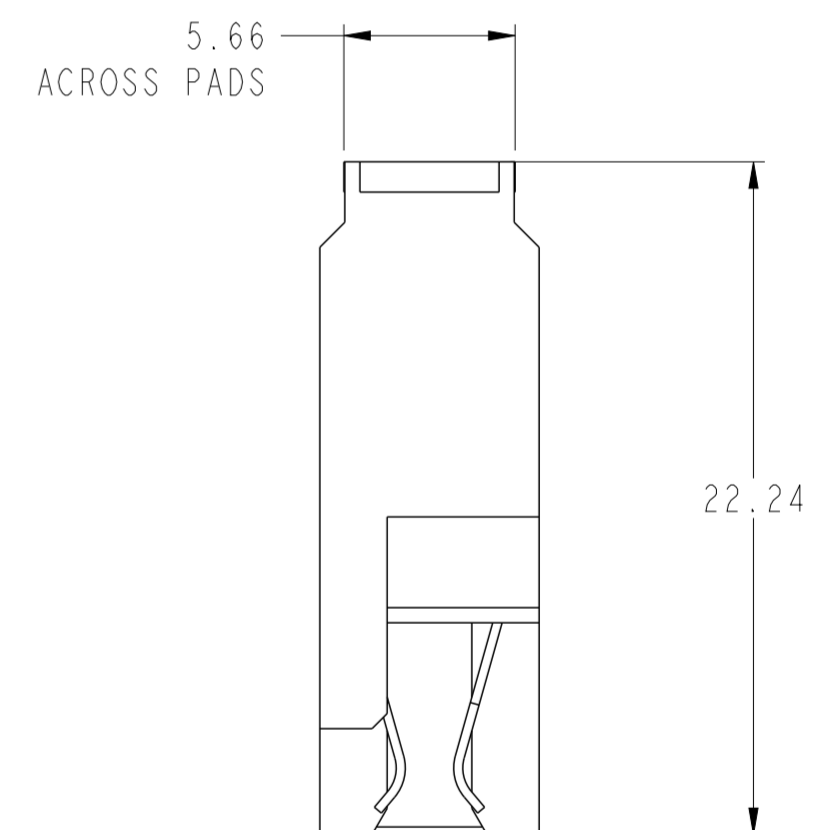
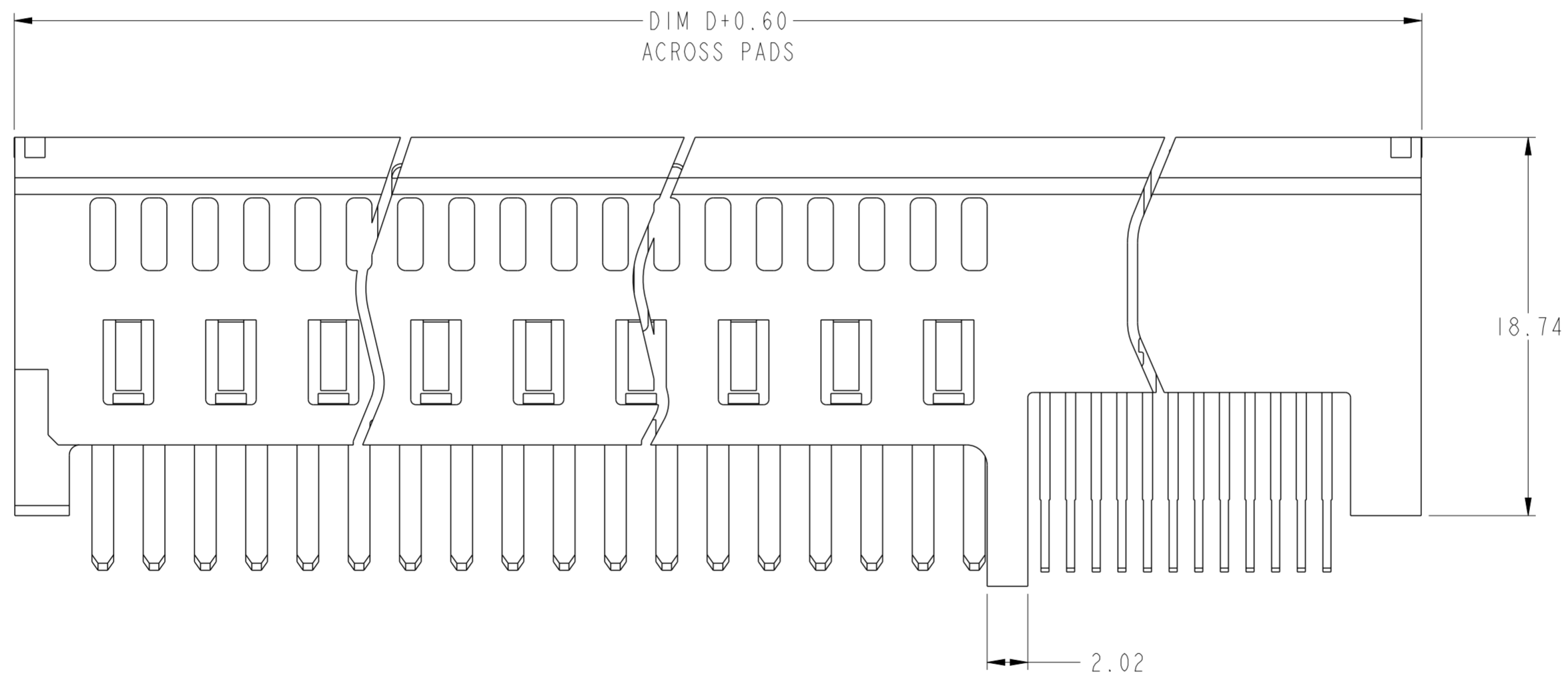
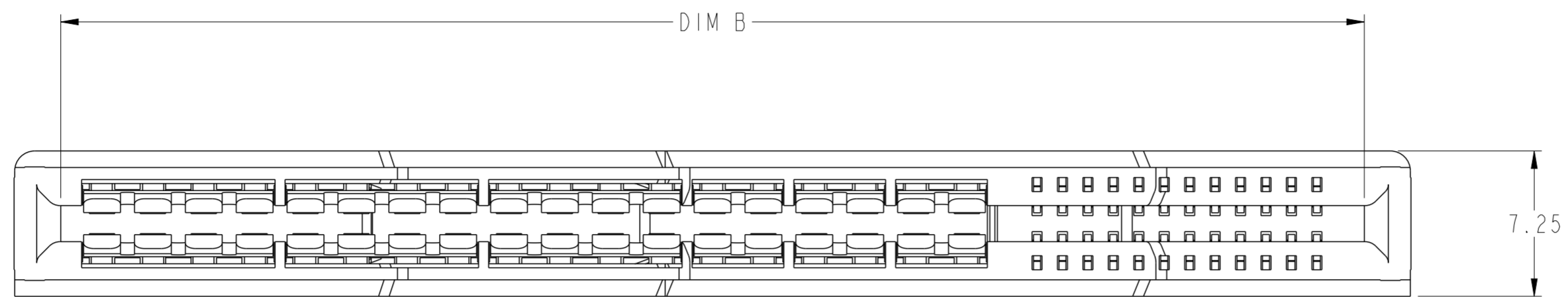


RECOMMENDED HOST BOARD LAYOUT AS VIEWED



spec ref	-	dr	Liu Jenson	2013/08/19	projection	MM	size	A2	scale	2:1
tolerance std	ISO 406 ISO 1101	eng	Leborn Luo	2018/01/05		product family	ecn no	ELX-DG-24594-1		
TOLERANCES UNLESS OTHERWISE SPECIFIED		chr	Feng Zheng	2018/01/11			rel level	Released		
surface	linear	0.X	±0.5	Amphenol FCI	title		HPCE STMT REC	10126933	C	rev
		0.XX	±0.25		UNIVERSAL CUSTOMER DRAWING					
		0.XXX	±0.10		cat. no.	Product - Customer Drw	sheet 2 of 6			
ISO 1302	angular	0°	±2°	PDS: Rev : C		STATUS: Released		Printed: Jan 11, 2018		

WITHOUT MOUNTING EARS



NOTES:
OTHER DIMENSIONS ARE THE SAME AS THE DRAWING WITH MOUNTING EARS.

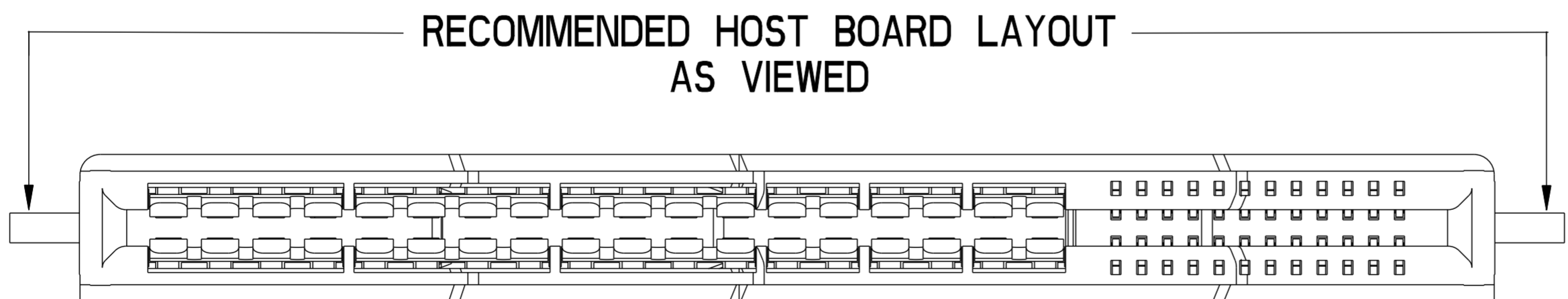
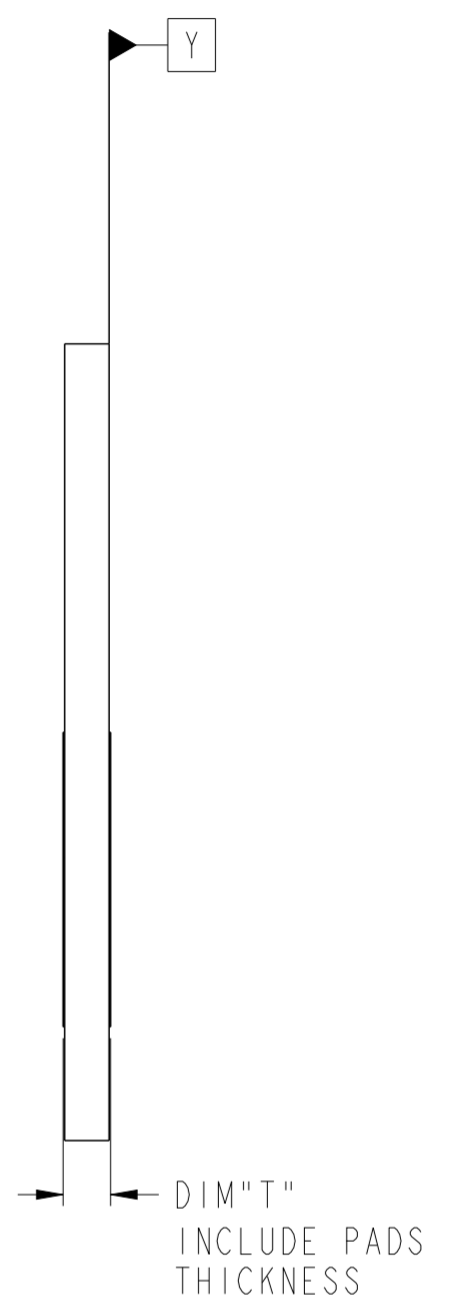
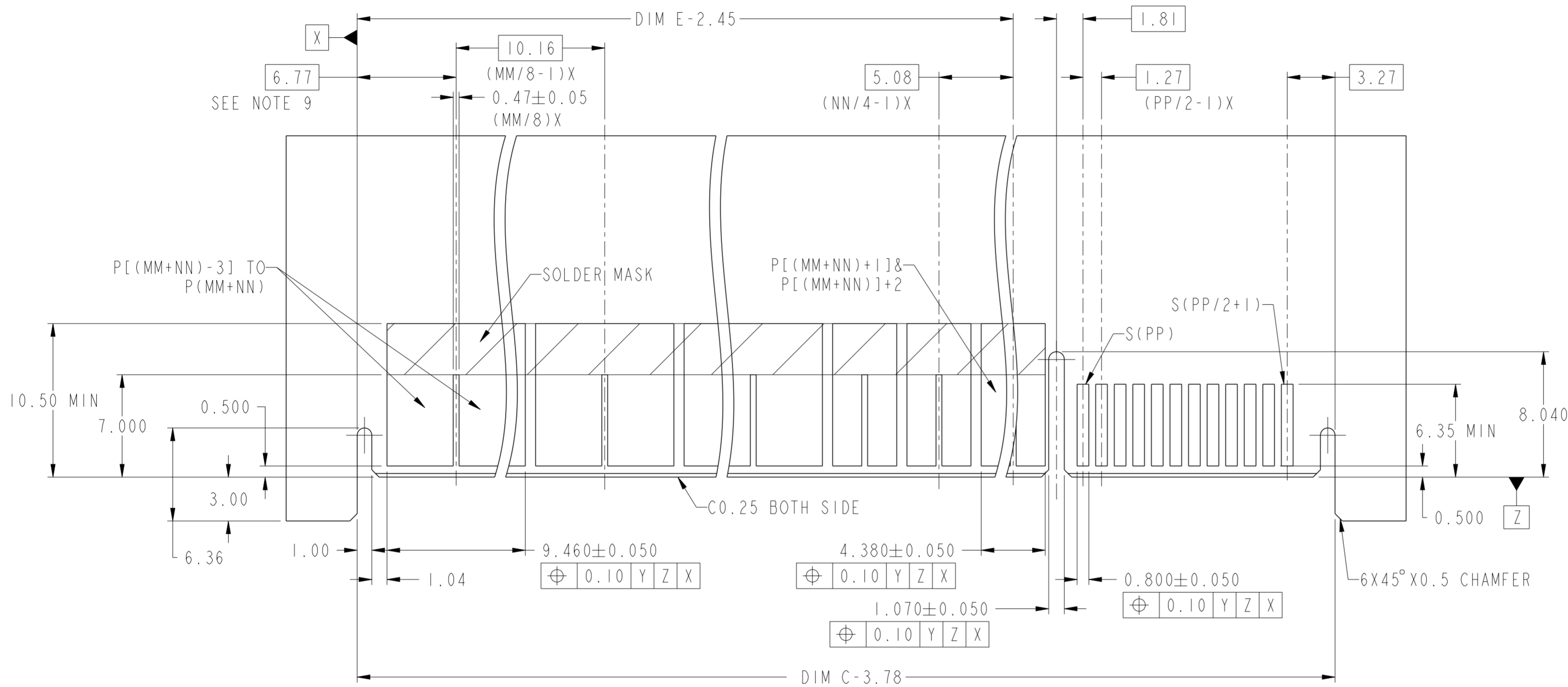
spec ref	-	dr	Liu Jenson	2013/08/19	projection	MM	size	A2	scale	4:1
tolerance std	ISO 406 ISO 1101	eng	Leborn Luo	2018/01/05			ecn no	ELX-DG-24594-1		
TOLERANCES UNLESS OTHERWISE SPECIFIED		chr	Feng Zheng	2018/01/11			rel level	Released		
		appr	Pai-Ming Zheng	2018/01/11			product family	CARD EDGE		
surface	ISO 1302	linear	0.X	±0.5			title	HPCE STMT REC	dwg no	10126933
			0.XX	±0.25			cat. no.	-	Product - Customer Drw	sheet 3 of 6
		angular	0°	±2°					rev	C

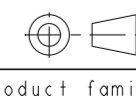

PDS: Rev :C

STATUS:Released

Printed: Jan 11, 2018

WITHOUT MOUNTING EARS 



spec ref	-	dr	Liu Jenson	2013/08/19	projection	MM	size	A2	scale	4:1	
tolerance std	ISO 406 ISO 1101	eng	Leborn Luo	2018/01/05		CARD EDGE	ecn no	ELX-DG-24594-1			
TOLERANCES UNLESS OTHERWISE SPECIFIED		chr	Feng Zheng	2018/01/11			rel level	Released			
		appr	Pai-Ming Zheng	2018/01/11			product family	CARD EDGE			
surface	ISO 1302	linear	0.X	±0.5			cat. no.	-			
			0.XX	±0.25			title	HPCE STMT REC			
		angular	0°	±2°			UNIVERSAL CUSTOMER DRAWING	rev	C		
							Product - Customer Drw	sheet 4 of 6			

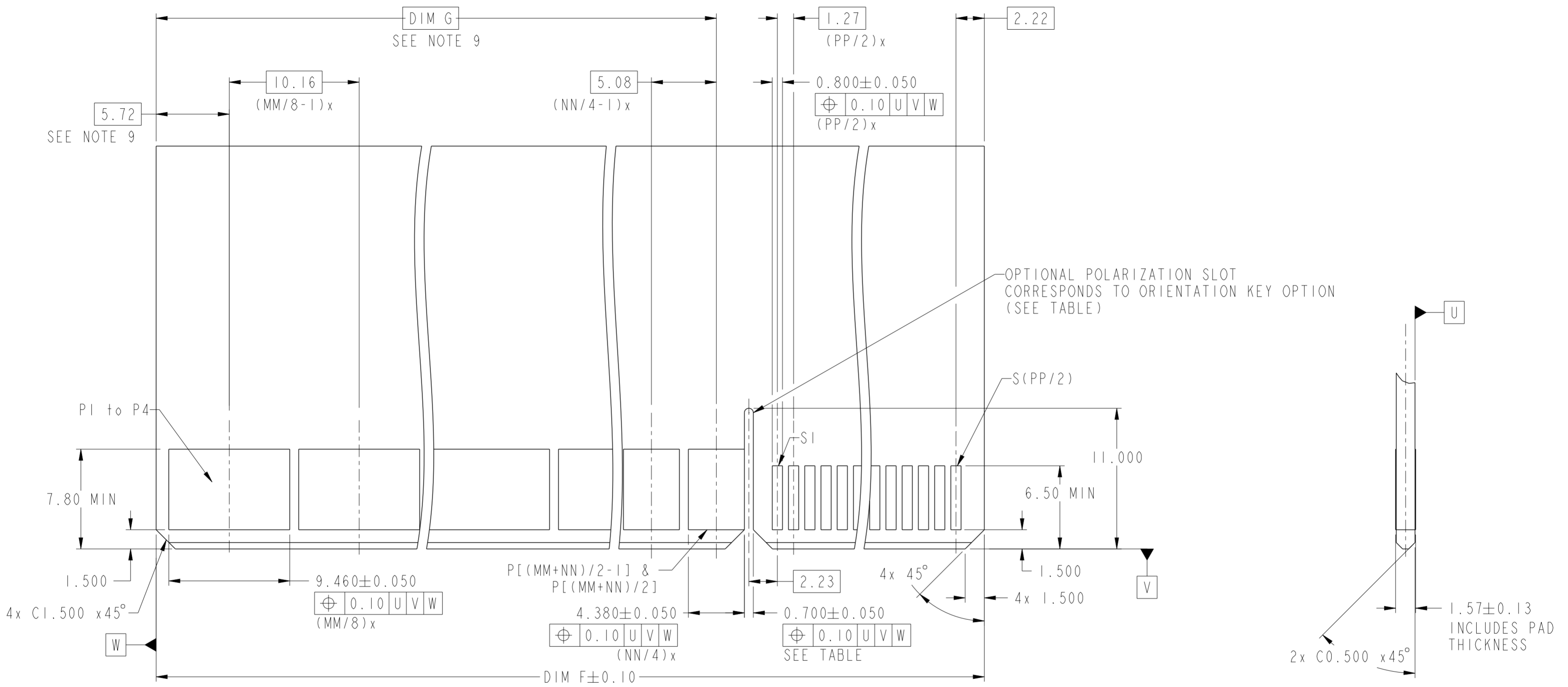
PDS: Rev :C

STATUS:Released

Printed: Jan 11, 2018

Amphenol FCI

© 2016 AFCI



RECOMMENDED MATING BOARD FOOTPRINT

spec ref	-	dr	Liu Jenson	2013/08/19	projection	MM	size	A2	scale	1:1			
tolerance std	ISO 406 ISO 1101	eng	Leborn Luo	2018/01/05			ecn no	ELX-DG-24594-1	rel level	Released			
TOLERANCES UNLESS OTHERWISE SPECIFIED		chr	Feng Zheng	2018/01/11									
		appr	Pai-Ming Zheng	2018/01/11									
surface	linear	0.X	±0.5		product family		-	-	rel level	Released			
		0.XX	±0.25		HPCE STMT REC						title UNIVERSAL CUSTOMER DRAWING	dwg no 10126933	rev C
	angular	0°	±2°		cat. no.								

A

B

C

D

E

F

A

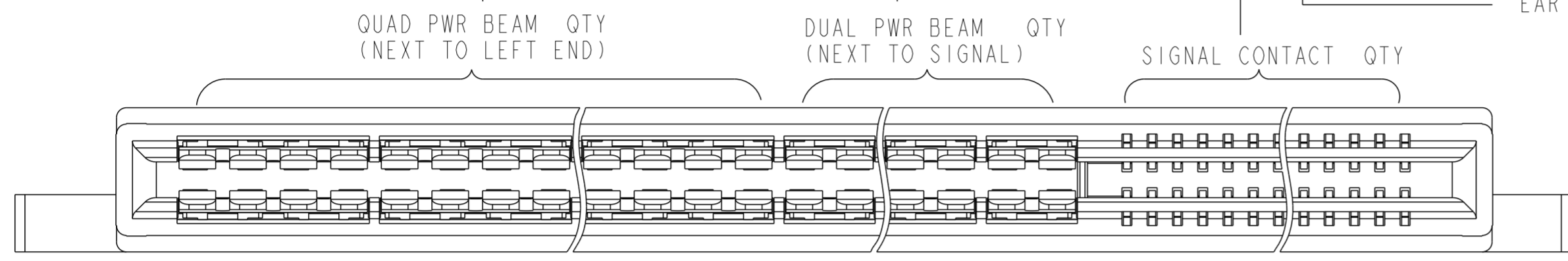
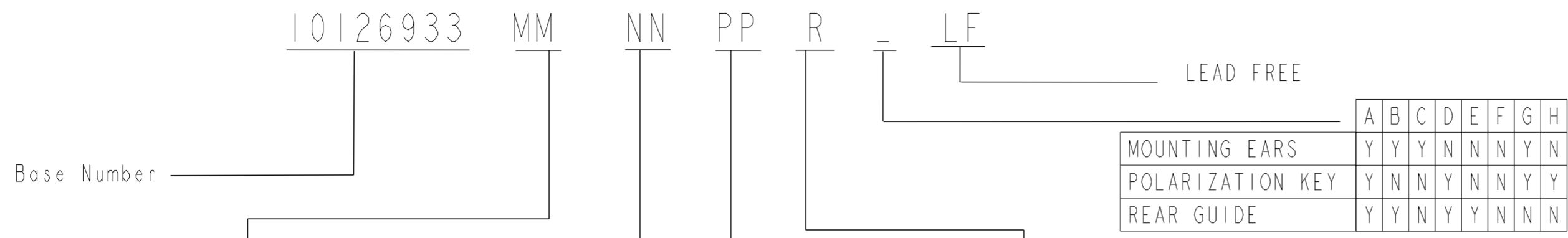
B

C

D

E

F



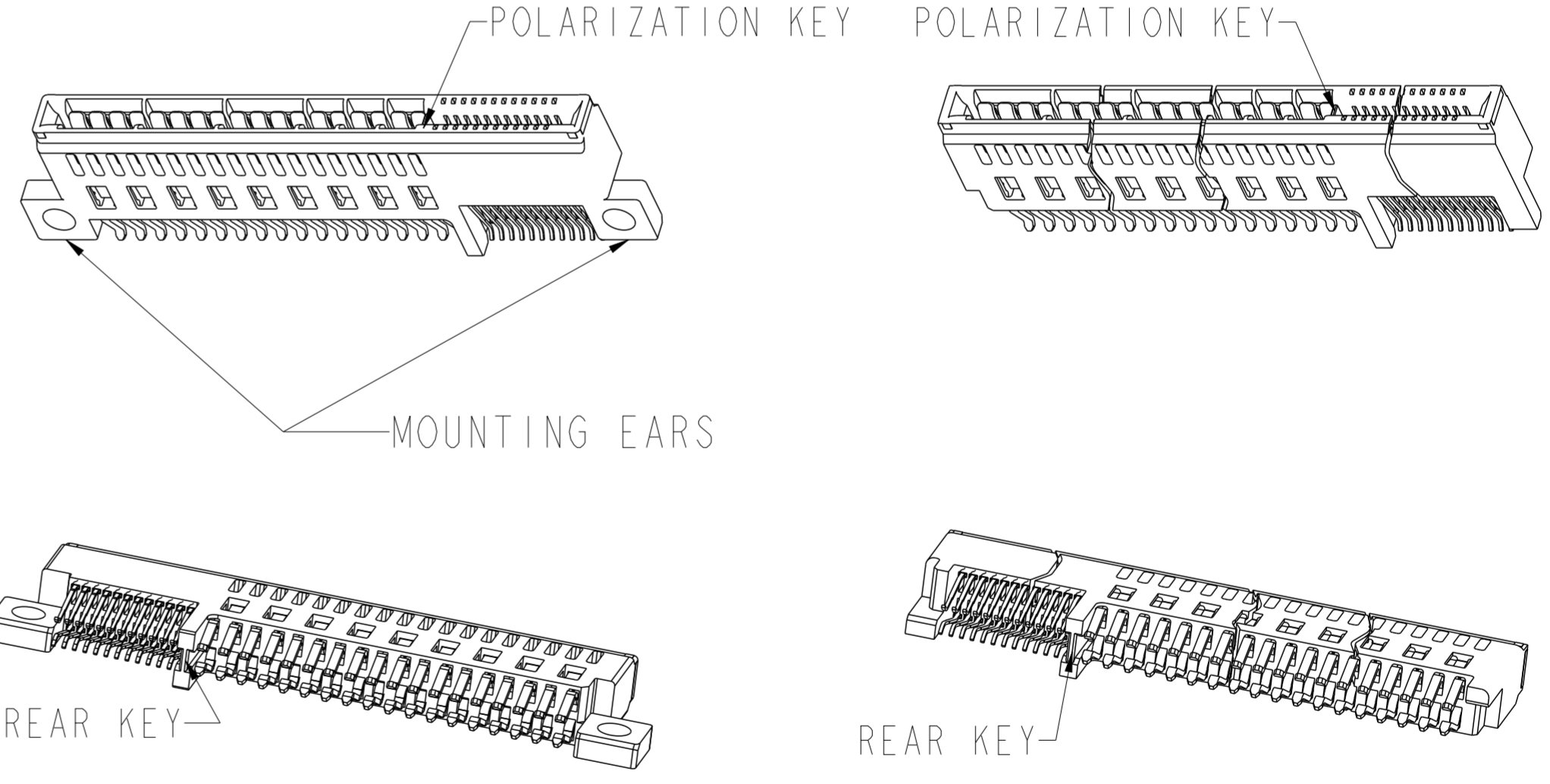
- EAR HEIGHT AND HOST BOARD THICKNESS
1. WITH GAP HEIGHT H=2.160mm, HOST BOARD THICKNESS T=1.83±0.13mm; IF WITH EARS, EAR HEIGHT J= 2.700mm
 2. WITH GAP HEIGHT H=2.410mm, HOST BOARD THICKNESS T=2.08±0.13mm; IF WITH EARS, EAR HEIGHT J= 2.575mm
 3. WITH GAP HEIGHT H=2.770mm, HOST BOARD THICKNESS T=2.44±0.13mm; IF WITH EARS, EAR HEIGHT J= 2.395mm
 4. WITH GAP HEIGHT H=3.080mm, HOST BOARD THICKNESS T=2.75±0.18mm; IF WITH EARS, EAR HEIGHT J= 2.240mm
 5. WITH GAP HEIGHT H=3.340mm, HOST BOARD THICKNESS T=3.01±0.18mm; IF WITH EARS, EAR HEIGHT J= 2.110mm

Example: THE CONFIGURATION ABOVE IS 101269332412241ALF \triangle
 STRADDLE MT WITH ENHANCED WALLS 36P24S WITH MOUNTING EARS,
 POLARIZATION KEY AND REAR KEY.
 24P IS 4 BEAM CONTACTS, 12P IS 2 BEAM CONTACTS.

TABLE: PART NUMBER CODE FOR HPCE MT WITH ENHANCED WALLS P+S CONFIG

NOTES:

1. CONNECTOR MATERIALS:
 HOUSING: HIGH TEMPERATURE THERMAL PLASTIC, BLACK
 UL 94V-0 COMPLIANT
 CONTACTS: HIGH PERFORMANCE COPPER ALLOY.
2. CONTACT FINISH REF. GS-12-604 SECTION 5.2.
3. PRODUCT SPECIFICATION: GS-12-604.
4. APPLICATION SPECIFICATION: GS-20-128.
5. PRODUCT MARKING (FCI - PART NUMBER & DATE CODE) ON HOUSING IN AREA SHOWN.
6. PACKAGING MEETS FCI SPECIFICATION GS-14-937.
7. HOUSING COMPONENT WILL WITHSTAND EXPOSURE TO 260°C PEAK TEMPERATURE FOR 60 SECONDS IN A CONVECTION, INFRA-RED, OR VAPOR PHASE REFLOW OVEN.
8. MAXIMUM OVERALL LENGTH IS 100mm.
 CURRENT MOLDING TOOL CAN SUPPORT 14X4BEAM,28X2BEAM,72X SIGNAL
9. DIM IS NOT APPLICABLE IF NO 4 BEAM CONTACT.



WITH MOUNTING EARS

WITHOUT MOUNTING EARS

DIM	TABLE 2. LENGTH FORMULAS
DIM A ⑧	(MM + NN) / 2 x 2.54 + (PP / 2) x 1.27 + 17.2
DIM B	DIM A - 13.08
DIM C	DIM A - 7.5
DIM D	DIM A - 9.02
DIM E ⑨	(MM / 8 - 1) x 10.16 + (NN / 4 - 1) x 5.08 + 16.84 (WITH 4 BEAM CONTACT) (NN / 4 - 1) x 5.08 + 6.68 (WITHOUT 4 BEAM CONTACT)
DIM F	DIM A - 13.38
DIM G ⑨	(MM / 8 - 1) x 10.16 + (NN/4 - 1) x 5.08 + 13.34 (WITH 4 BEAM CONTACT) (NN / 4 - 1) x 5.08 + 3.18 (WITHOUT 4 BEAM CONTACT)

spec ref	-	dr	Liu Jenson	2013/08/19	projection	MM	size	A2	scale	4:1
tolerance std	ISO 406 ISO 1101	eng	Leborn Luo	2018/01/05			ecn no	ELX-DG-24594-1		
surface	linear	chr	Feng Zheng	2018/01/11				product family	CARD EDGE	rel level
		appr	Pai-Ming Zheng	2018/01/11	HPCE STMT REC	10126933	rev			
ISO 1302	angular	0°	±2°	Amphenol FCI	UNIVERSAL CUSTOMER DRAWING	cat. no.	Product - Customer Drw	sheet 6 of 6		

Amphenol FCI

© 2016 AFCI