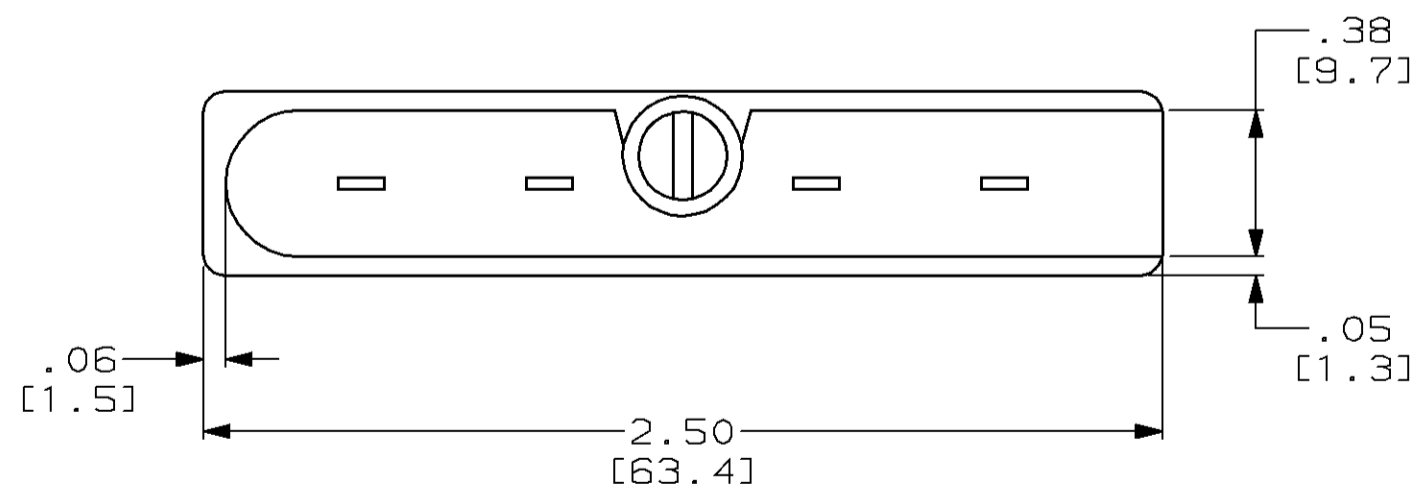
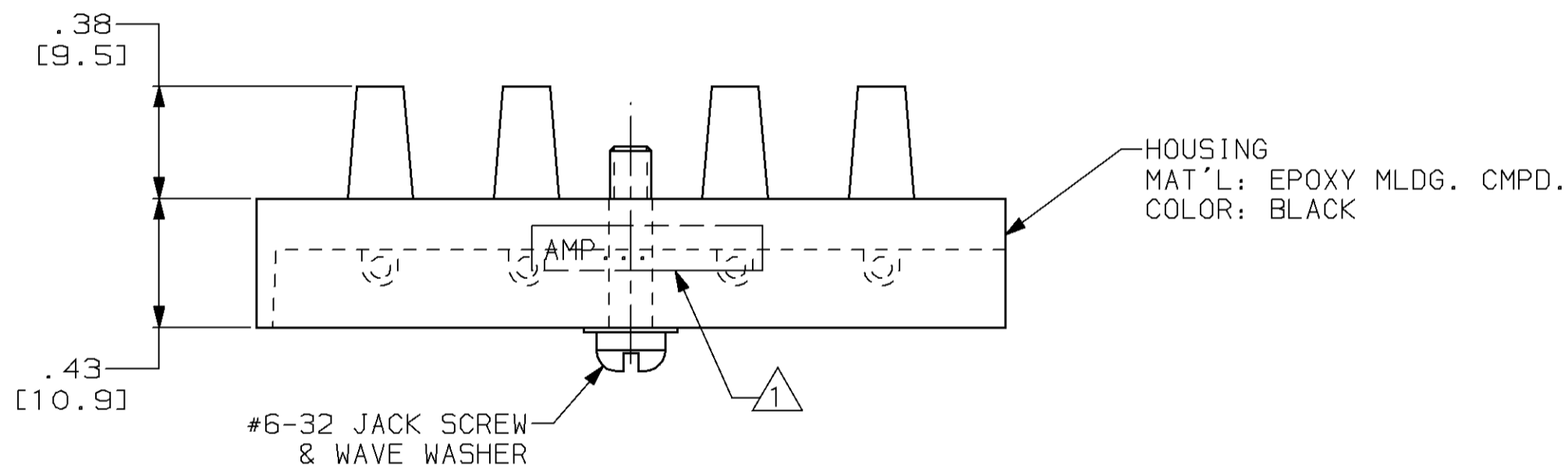
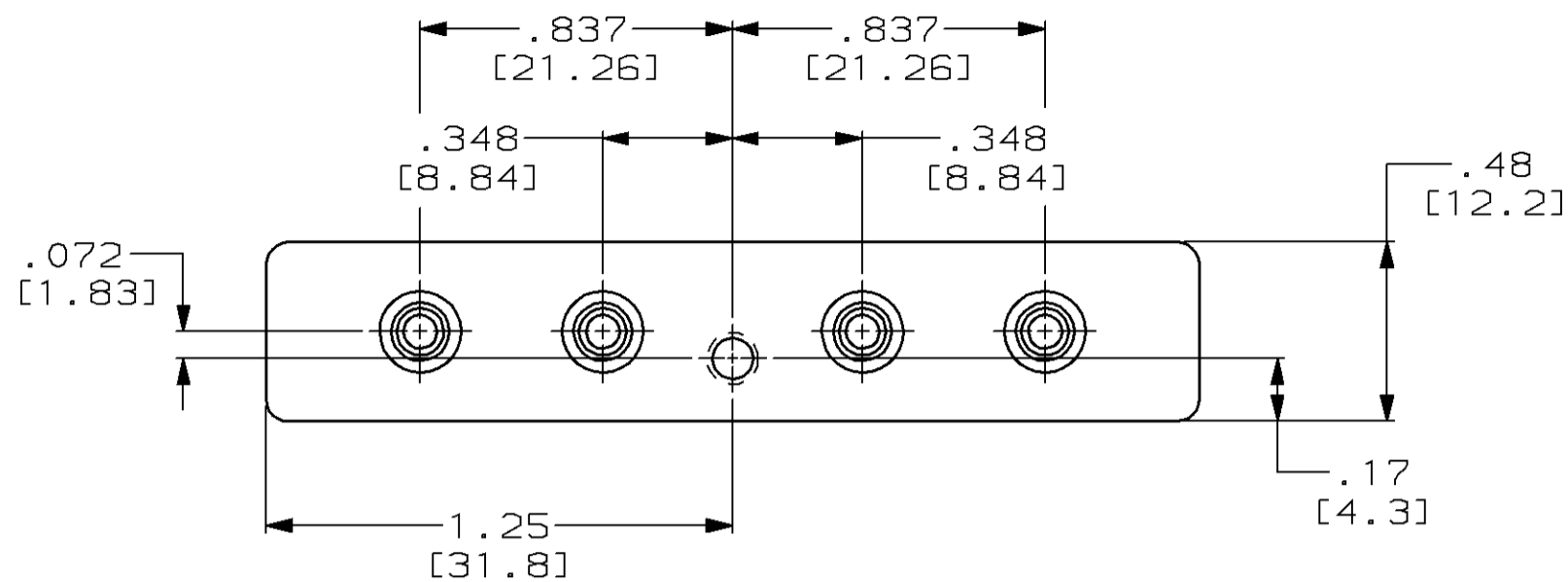


THIS DRAWING IS UNPUBLISHED. RELEASED FOR PUBLICATION
 BY AMP INCORPORATED. ALL RIGHTS RESERVED.

LOC	DIST	REVISIONS			
P	LTR	DESCRIPTION	DATE	DWN	APVD
DF	SO				
A		REV & REDRAWN; 0600-6261-97	7-97	CT	SG



AMP INFORMATION MARKED IN THIS AREA WITH WHITE INK.

865477-1
PART NO.

THIS DRAWING IS A CONTROLLED DOCUMENT.		DWN C.C. THOMAS 6-3-97	AMP Incorporated Harrisburg, PA 17105-3608	
DIMENSIONS: [INCHES [mm]]		CHK S. GLATFELTER 7-16-97	NAME S. GLATFELTER	
TOLERANCES UNLESS OTHERWISE SPECIFIED:		APVD S. GLATFELTER 7-16-97	PRODUCT SPEC	
0 PLC ±-		APPLICATION SPEC		
1 PLC ±-		WEIGHT		
2 PLC ±.02 [0.5]		SCALE 2:1		
3 PLC ±.005 [0.13]		SHEET 1 OF 1		
4 PLC ±-		REV A		
ANGLES ±-		CUSTOMER DRAWING		
COLOR -		DRAWING NO A2 00779 C-865477		
		RESTRICTED TO		