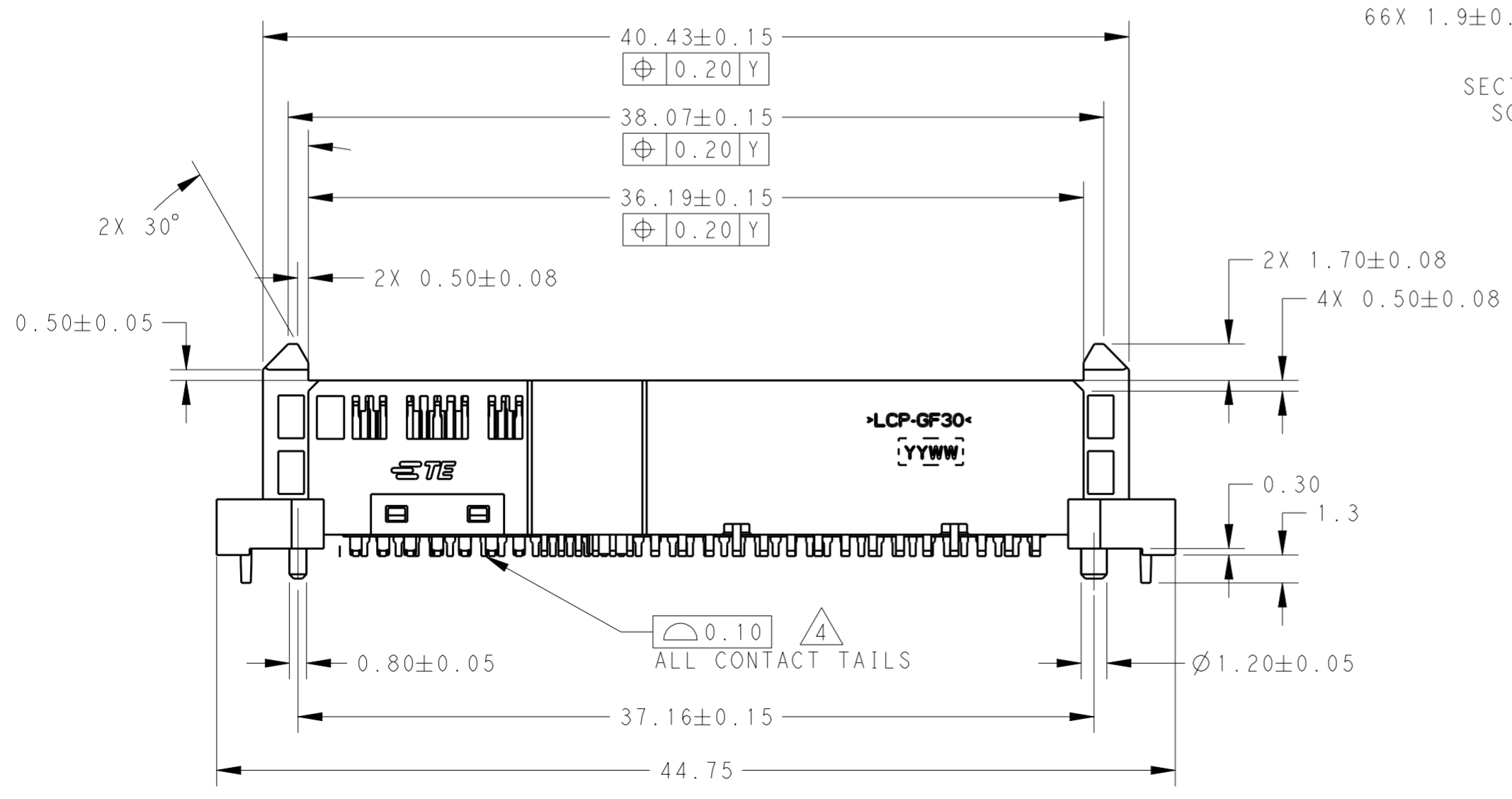
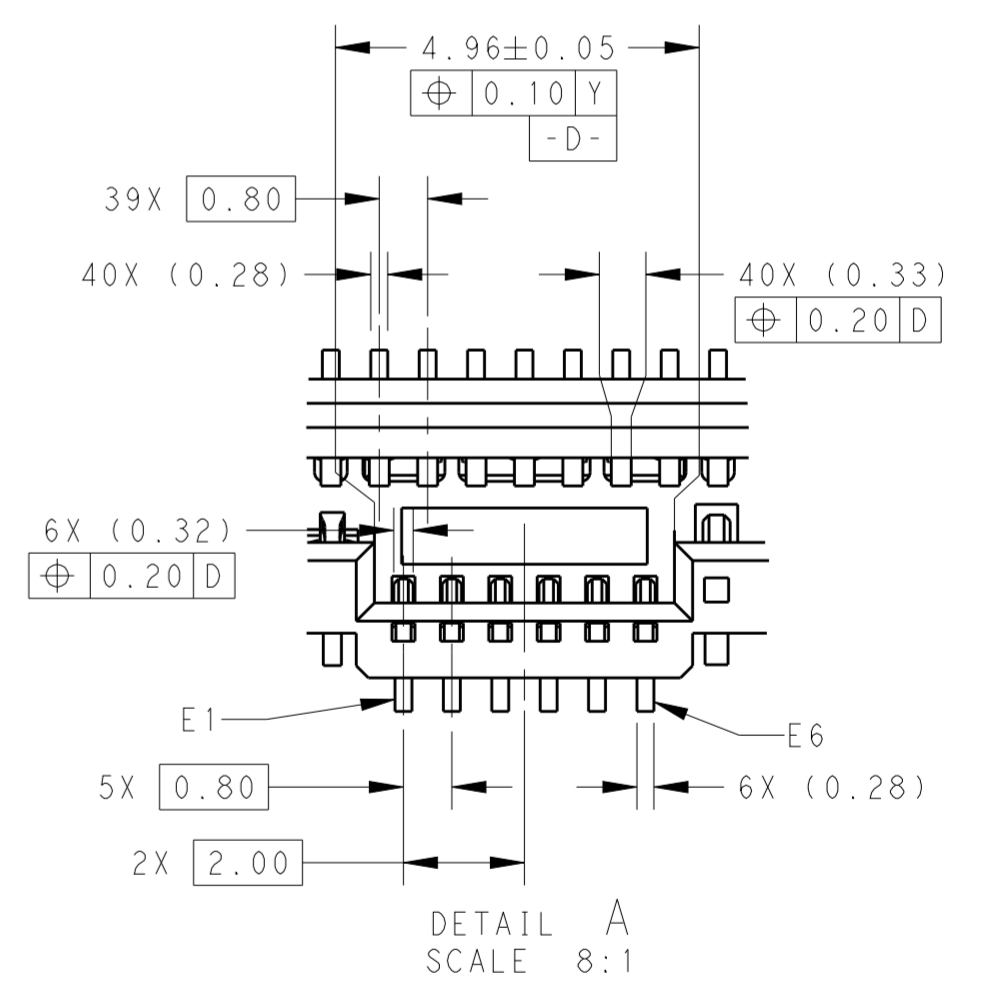
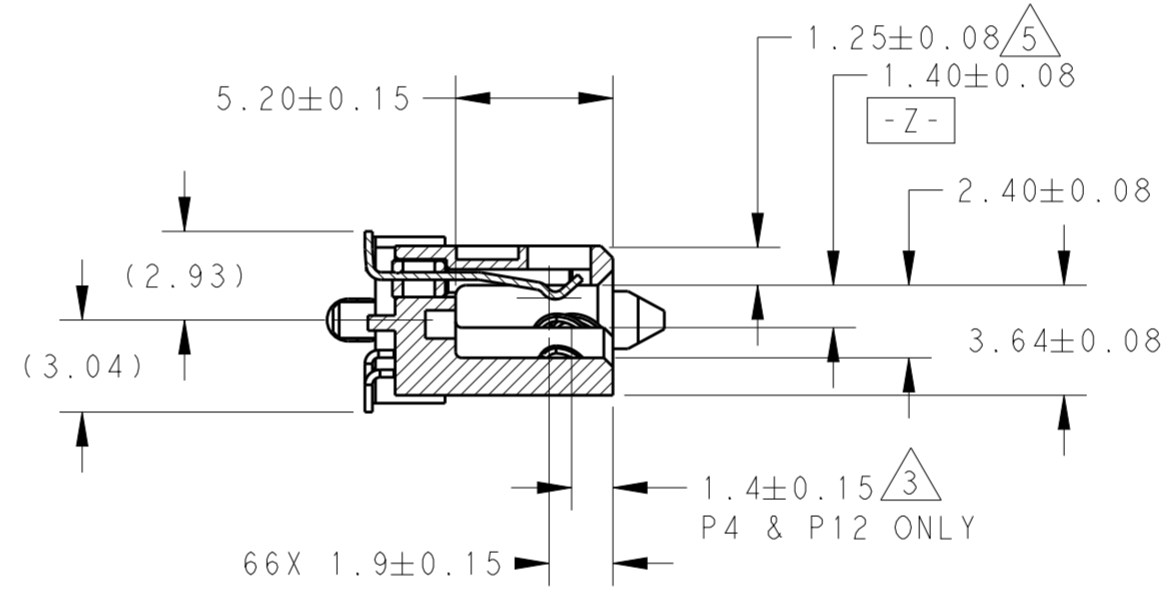
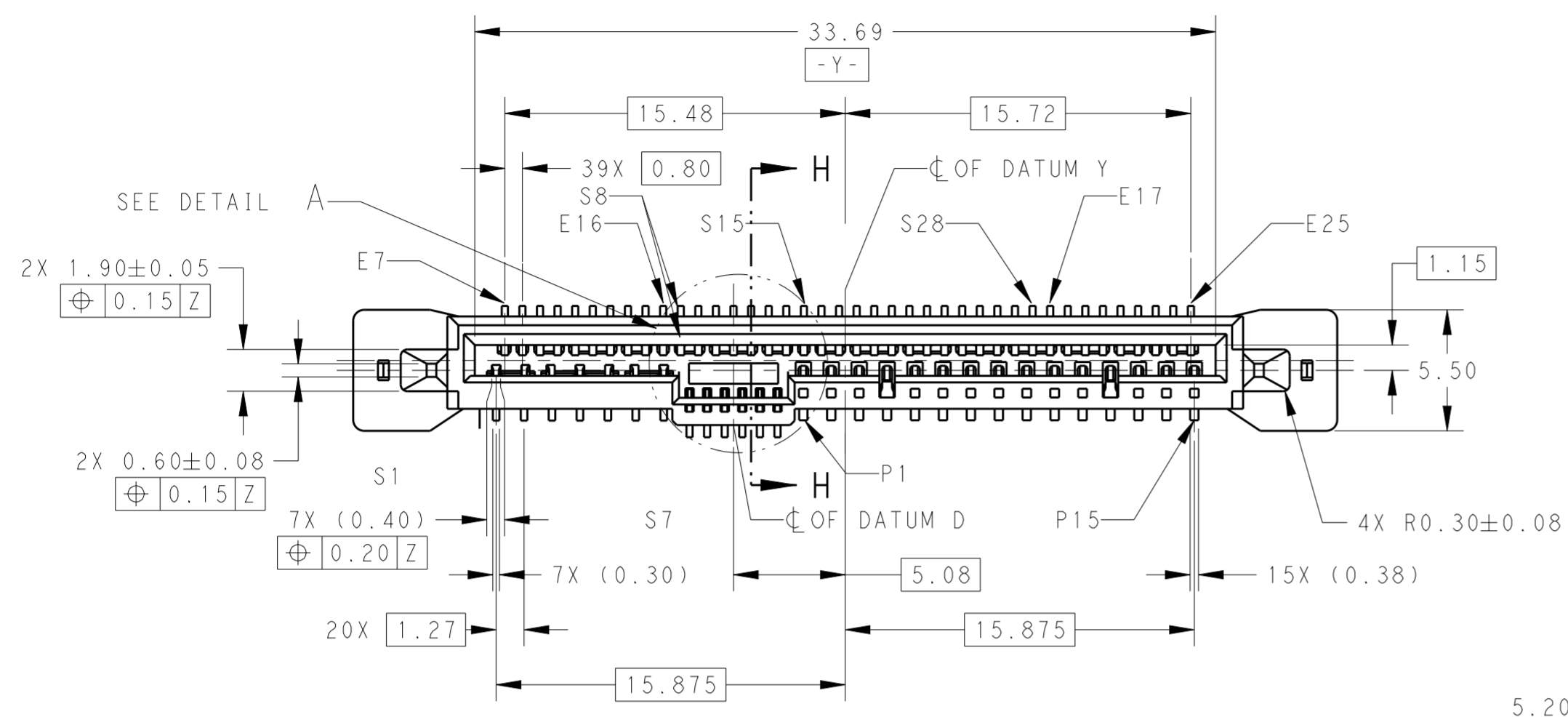


THIS DRAWING IS UNPUBLISHED. RELEASED FOR PUBLICATION 20
 © COPYRIGHT 20 BY - ALL RIGHTS RESERVED.

REVISIONS					
P	LTR	DESCRIPTION	DATE	DWN	APVD
	A	RELEASED FOR MASS PRODUCTION	21JAN2021	TX	DZ

- NOTES:
- 1 MATERIAL:
HOUSING: HIGH TEMP THERMOPLASTIC, UL94V-0,
COLOR:BLACK
CONTACT: COPPER ALLOY
BOARDLOCK: COPPER ALLOY
 - 2 FINISH:
CONTACT AREA:
MIN 0.76µm GOLD PLATING
SOLDERTAIL: MIN 2.54µm MATTE TIN PLATING
UNDERPLATE: MIN 1.27µm NICKEL PLATING
 - 3 PIN #P4 AND #P12 ONLY
 - 4 SOLDER TAIL TO BE 0.05 MAX ABOVE
AND 0.10 MAX BELOW DATUM E
 - 5 1.33 MAX MEASURED AT DATUM C

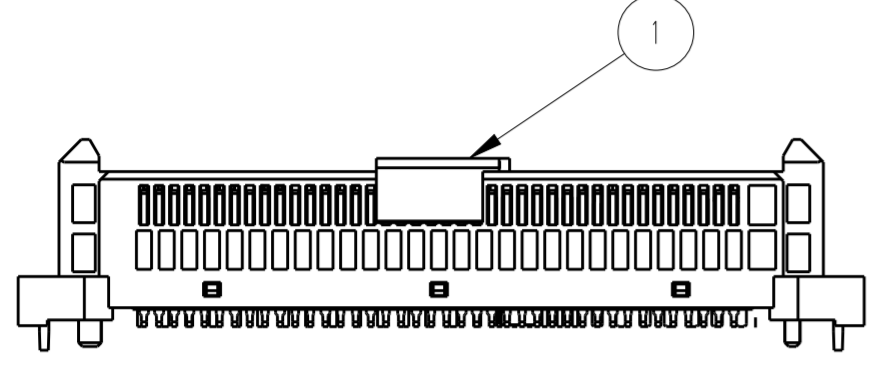
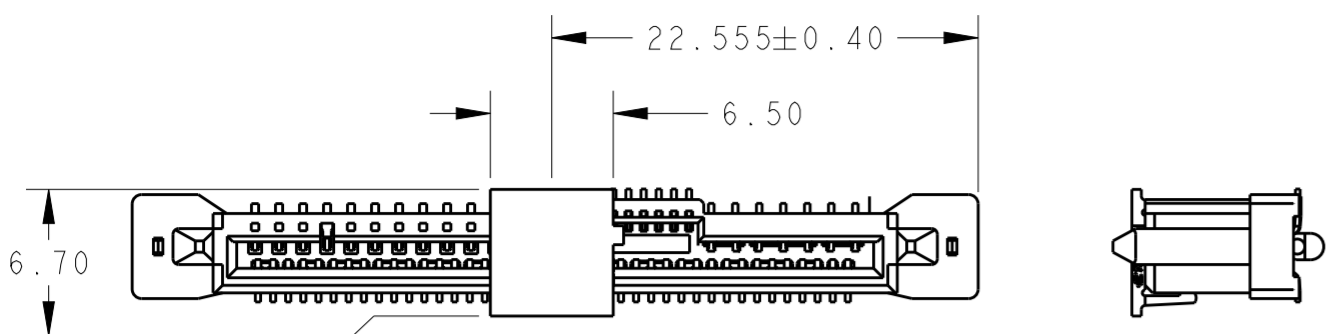


TRAY	YES	2358336-3
TAPE & REEL	YES	2358336-2
TRAY	NO	2358336-1
PACKAGING	PICK-UP CAP (1)	PART NUMBER

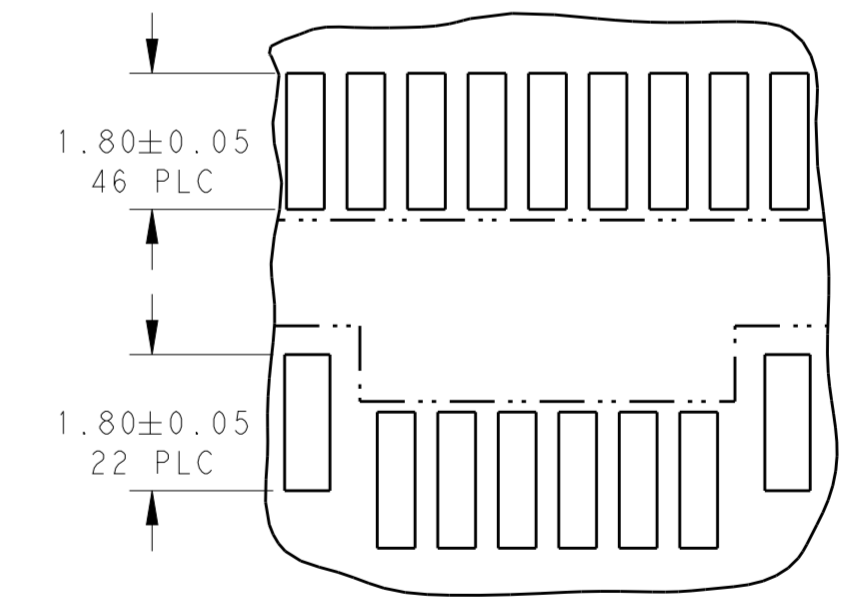
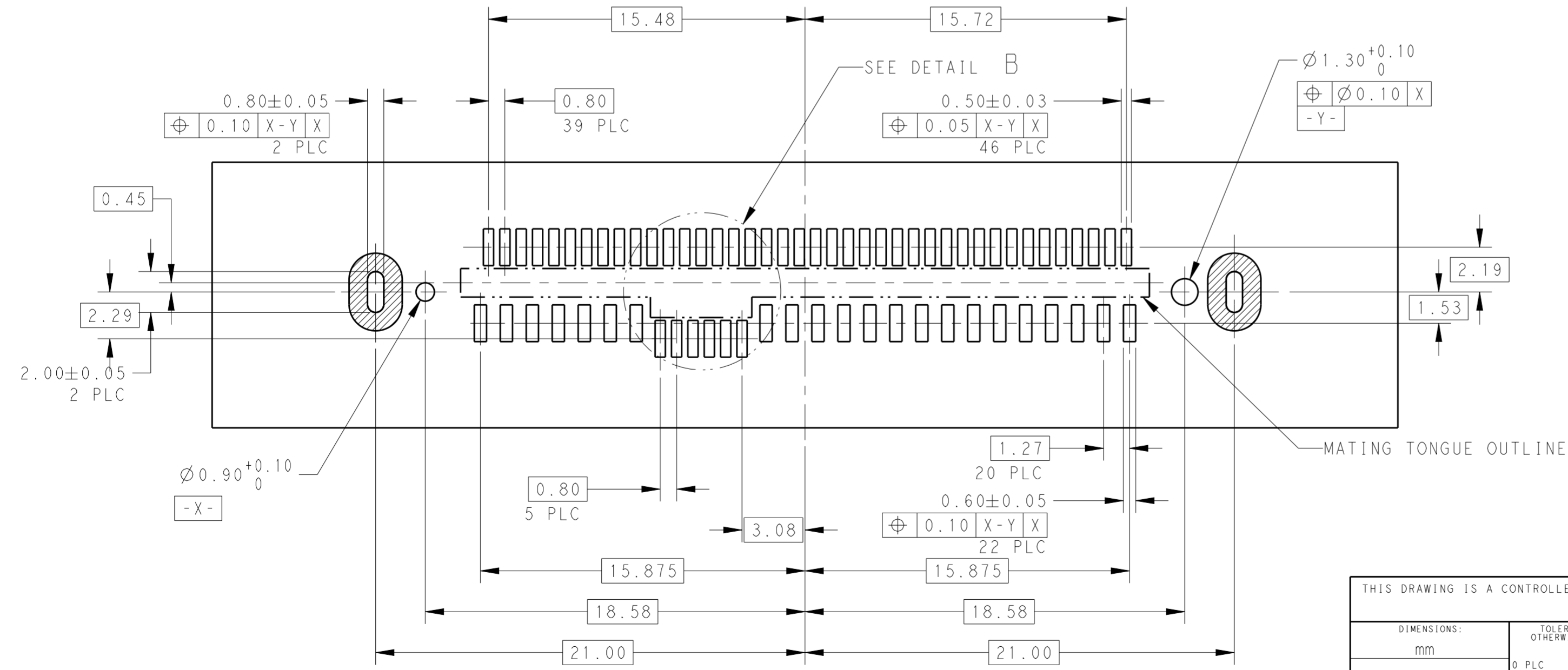
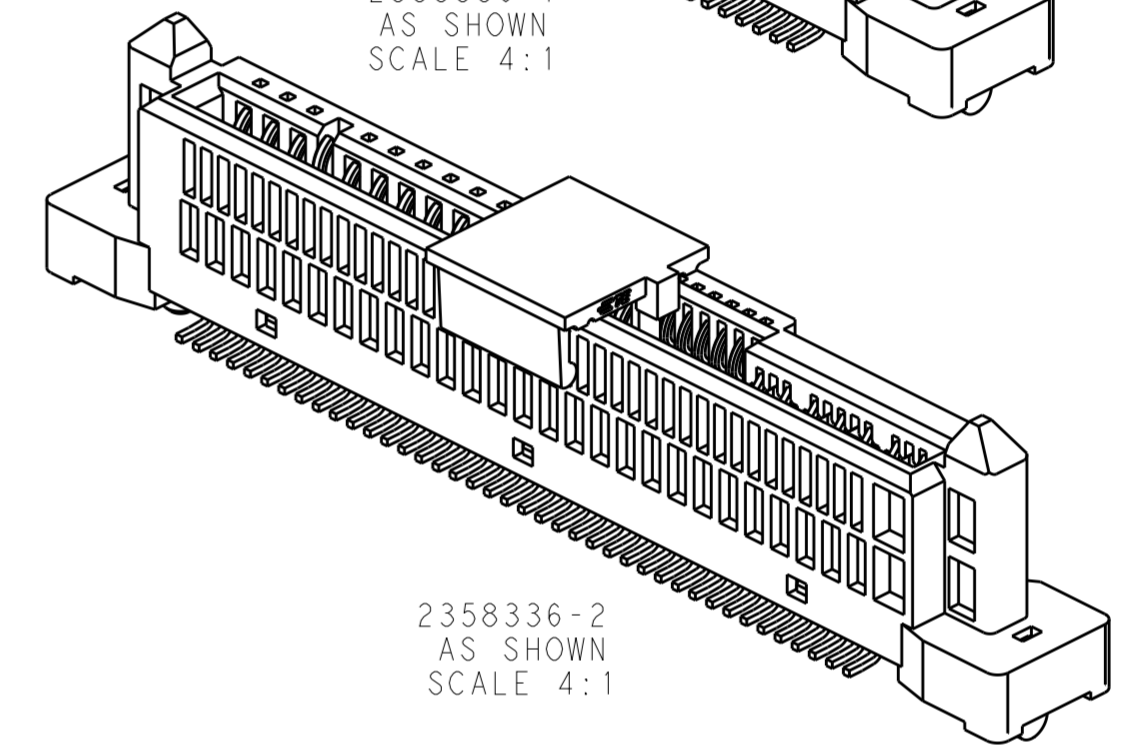
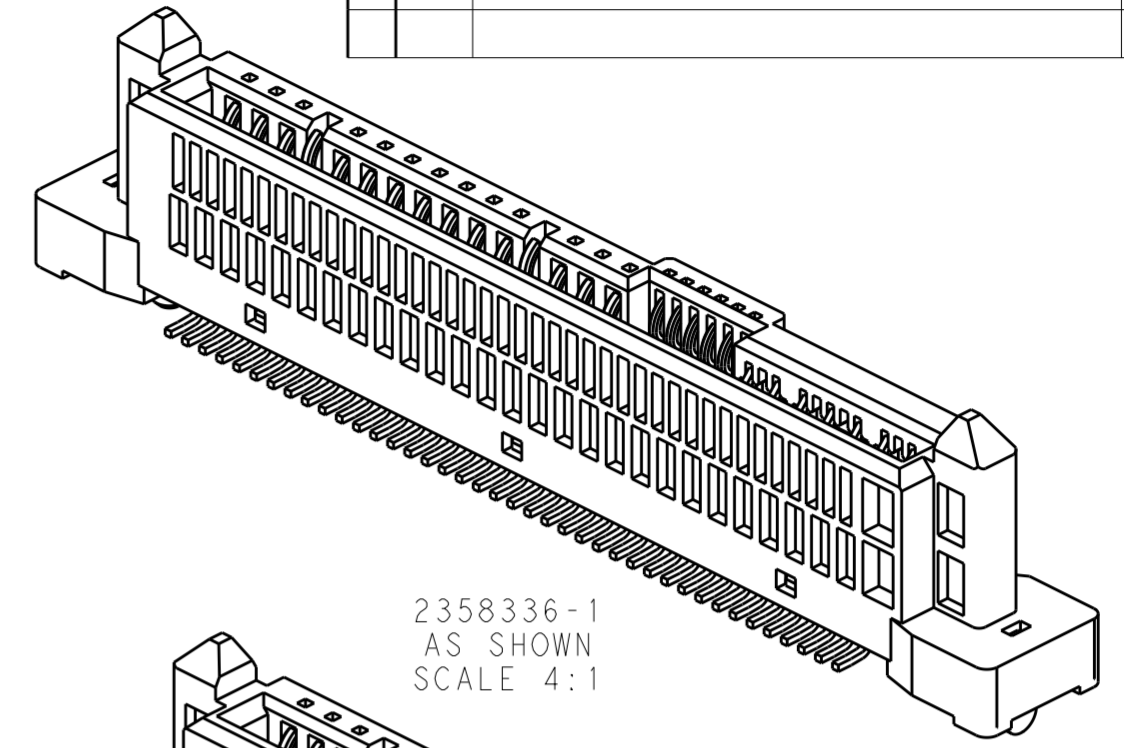
THIS DRAWING IS A CONTROLLED DOCUMENT.		DWN TIM XUE 13JUN2019	TE Connectivity	
DIMENSIONS: mm		CHK DAVID ZHANG 13JUN2019		
TOLERANCES UNLESS OTHERWISE SPECIFIED:		APVD DAVID ZHANG 13JUN2019	NAME SFF-8639 GEN4 RECEPTACLE CONNECTOR	
0 PLC ±		PRODUCT SPEC 108-60136	SIZE A200779	
1 PLC ±0.20		APPLICATION SPEC 114-60017	CAGE CODE C-2358336	
2 PLC ±0.20		WEIGHT -	DRAWING NO -	
3 PLC ±0.20		CUSTOMER DRAWING	RESTRICTED TO -	
4 PLC ±		SCALE 2:1	SHEET 1 OF 2	
ANGLES FINISH			REV A1	

THIS DRAWING IS UNPUBLISHED. RELEASED FOR PUBLICATION 20
 © COPYRIGHT 20 BY - ALL RIGHTS RESERVED.

LOC	DIST	REVISIONS			
P	LTR	DESCRIPTION	DATE	DWN	APVD
DY	-	SEE SHEET 1	-	-	-



P/N: 2358336-2 AS SHOWN
 RECEPTACLE WITH PICK-UP CAP



DETAIL B
 SCALE 10:1

RECOMMENDED RECEPTACLE BOARD LAYOUT
 SCALE 5:1

THIS DRAWING IS A CONTROLLED DOCUMENT.		DWN TIM XUE 13JUN2019	TE Connectivity	
DIMENSIONS: mm		CHK DAVID ZHANG 13JUN2019		
TOLERANCES UNLESS OTHERWISE SPECIFIED:		APVD DAVID ZHANG 13JUN2019	NAME SFF-8639 GEN4 RECEPTACLE CONNECTOR	
0 PLC ±		PRODUCT SPEC 108-60136	SIZE A200779	
1 PLC ±0.20		APPLICATION SPEC 114-60017	DRAWING NO C-2358336	
2 PLC ±0.20		WEIGHT -	RESTRICTED TO -	
3 PLC ±0.20		CUSTOMER DRAWING	SCALE 2:1 SHEET 2 OF 2 REV A1	
4 PLC ±				
ANGLES ±3°				
FINISH				