

THIS DRAWING IS UNPUBLISHED.

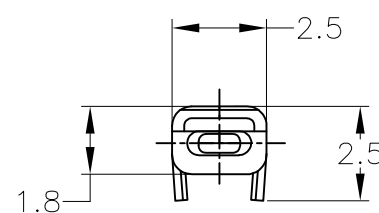
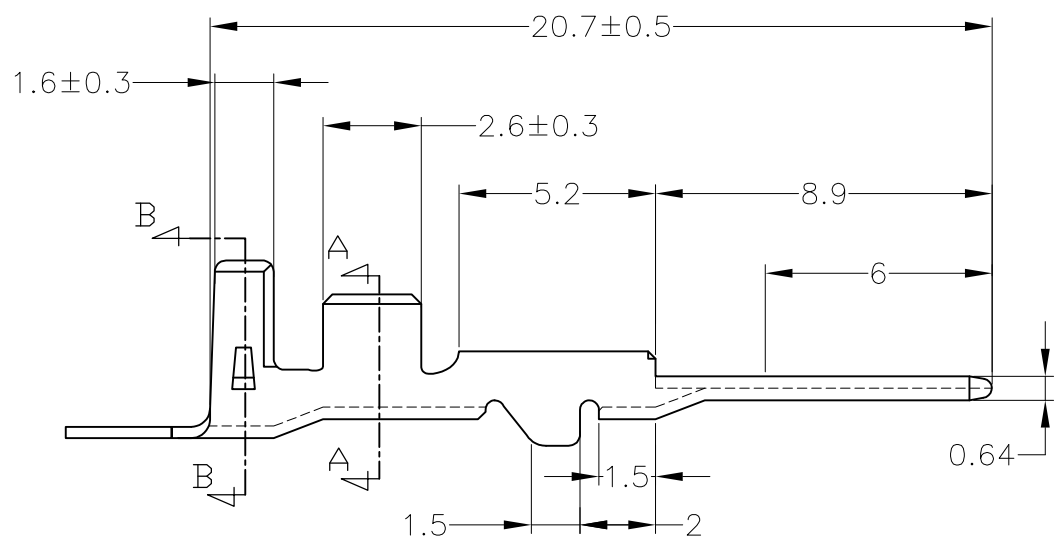
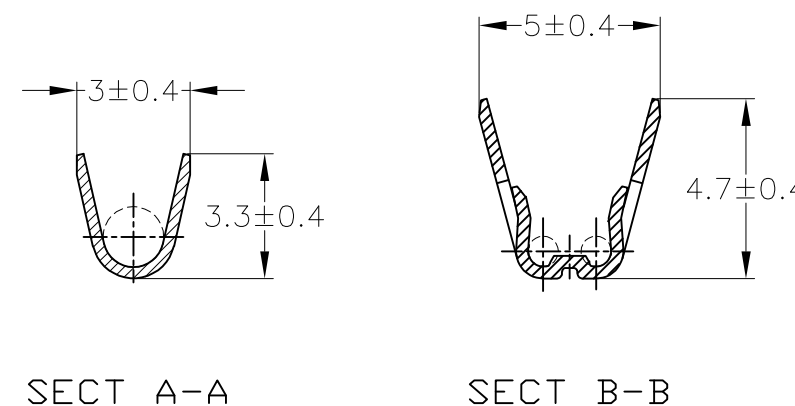
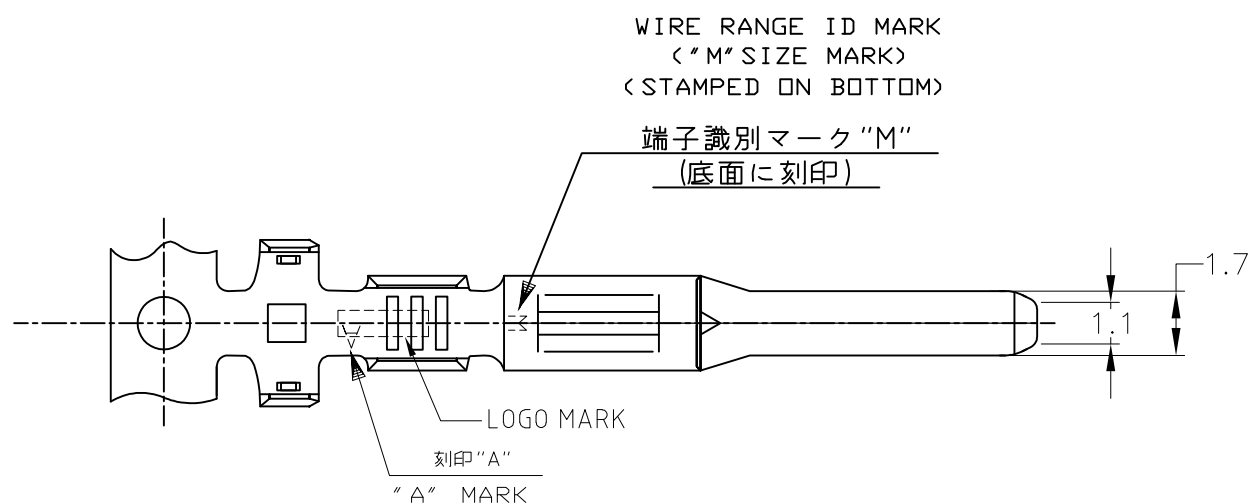
RELEASED FOR PUBLICATION JAN , 2018.

© COPYRIGHT 2018 TE Connectivity

ALL RIGHTS RESERVED.

REVISIONS

P	LTR	DESCRIPTION	DATE	DWN	APVD
	B	REVISED	25JAN2018	YN	TK



1. 製品規格: 108-5264

1. SPEC:108-5264

錫めっき済 PRE-TINNED	黄銅 板厚0.32 BRASS t0.32	175189-1
仕上 FINISH	材料 MATERIAL	型番 PART NUMBER

THIS DRAWING IS A CONTROLLED DOCUMENT.		DWN N.OJIMA 08JAN1990	TE Connectivity Ltd.					
DIMENSIONS: mm		CHK M.OSHIMA 08JAN1990				NAME		
TOLERANCES UNLESS OTHERWISE SPECIFIED:		APVD M.NOGUCHI 08JAN1990				070 SERIES TAB CONTACT		
		PRODUCT SPEC				RESTRICTED TO		
MATERIAL SEE TABLE		FINISH SEE TABLE	APPLICATION SPEC	SIZE A3	CAGE CODE 00779	DRAWING NO C-175189		
CUSTOMER DRAWING			WEIGHT -	SCALE 5:1	SHEET 1 OF 1	REV B		

WIRE RANGE AVS 0.5~1.25mm ² (AWG #20-#16)	INSULATION DIA 2~2.6mmφ
TOLERANCES UNLESS OTHERWISE SPECIFIED:	
一般公差	
0 < x < 10: ±0.2	
10 < x < 30: ±0.25	
30 < x < 100: ±0.3	
ANGLE: ±3°	