

## PART NO. MATRIX

**0 8 1 2 - 0 X A M F - X X X 0 0**

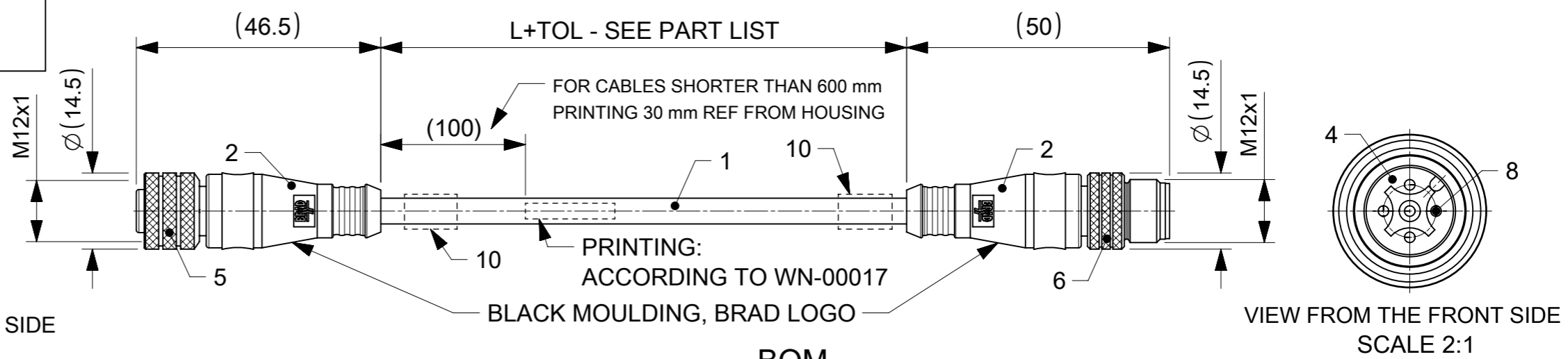
0812=Micro-Change  
M12x1 Double Ended

NO. OF POLES  
03=3 POLE  
04=4 POLE  
05=5 POLE

FEMALE / MALE CONNECTOR  
TYPE OF CONNECTOR :  
A = MALE STRAIGHT-  
FEMALE STRAIGHT

LENGTH :  
01=1M  
10=10M  
SPECIAL LENGTH :  
90=1.5M  
91=0.6M  
92=0.3M  
95=7.5M  
96=12.5M  
97=17.5M

TYPE OF CABLE MATERIAL :  
1 = PVC STANDARD  
2 = PUR STANDARD  
C = UL-CABLE PVC  
M = PUR 0.25%



NOTES :

ELECTRICAL DATA :  
VOLTAGE RATING : 3/4P A-Code 250V  
VOLTAGE RATING : 5P A-Code 60V

AMPERAGE RATING : 4A  
INSULATION RESISTANCE : 10<sup>9</sup> Ω MIN.  
MATING CYCLES : MAX. 100

ENVIRONMENTAL :  
PROTECTION : IP67  
OPERATING TEMPERATURE : -25°C TO +85°C  
STATIC BENDING RADIUS : >5xO.D TO >10xO.D.  
DYNAMIC BENDING RADIUS : >8xO.D TO >15xO.D.

### CABLE LIST :

(For more information see Cable Data Sheet)

CABLE TYPE	NO. OF WIRES	CROSS SECTION	CABLE JACKET
E03	3	0.34mm <sup>2</sup>	PVC BLACK
P03	3	0.34mm <sup>2</sup>	PUR BLACK
E02	4	0.25mm <sup>2</sup>	PVC BLACK
P02	4	0.25mm <sup>2</sup>	PUR BLACK
E03	5	0.34mm <sup>2</sup>	PVC BLACK
P03	5	0.34mm <sup>2</sup>	PUR BLACK
P02 (M-SEE ENG. NO.)	5	0.25mm <sup>2</sup>	PUR BLACK
- (F-SEE ENG. NO.)	5	0.50 mm <sup>2</sup>	PUR BLACK
- (E-SEE ENG. NO.)	4	0.50 mm <sup>2</sup>	PVC BLACK

### BOM

ITEM	QTY.	DESCRIPTION	MATERIAL	FINISH / COLOR
10	2	I/D CARRIER	PVC	TRANSPARENT
9	1	GASKET	FPM	RED
8	3, 4 & 5	CONTACT 10 MA STA AU	COPPER	SELECTIVE GOLD OVER NI-PLATED
7	3, 4 & 5	CONTACT 10 FE STA AU	BRONZE	SELECTIVE GOLD OVER NI-PLATED
6	1	M12 MALE COUPLING NUT	BRASS	Ni-PLATED
5	1	M12 FEMALE COUPLING NUT	BRASS	Ni-PLATED
4	1	INSERT M12 MA AC	PUR	BLACK
3	1	INSERT M12 FE AC	TPU	BLACK
2	-	OVERMOULD	TPU	BLACK
1	SEE PART LIST	CABLE	SEE CABLE LIST	SEE CABLE LIST

THIS DRAWING CONTAINS INFORMATION THAT IS PROPRIETARY TO MOLEX ELECTRONIC TECHNOLOGIES, LLC AND SHOULD NOT BE USED WITHOUT WRITTEN PERMISSION

CURRENT REV DESC: OBSOLETE PART NUMBER

**molex**

CSE M12 XP AC FE STR PUR MA STR XM

PRODUCT CUSTOMER DRAWING

DOCUMENT NUMBER: 1200665076  
DOC TYPE: PSD  
DOC PART: 000  
REVISION: A2

EC NO: 655037  
DRWN: VLOKESHA 2020/12/22  
CHK'D: GGA 2021/03/16  
APPR: GGA 2021/03/16

INITIAL REVISION:  
DRWN: MDHARMANTI 2019/09/11  
APPR: RSILLER 2019/10/17

DRAFT WHERE APPLICABLE MUST REMAIN WITHIN DIMENSIONS

THIRD ANGLE PROJECTION


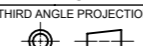
DRAWING: A3-SIZE  
SERIES: 120066  
MATERIAL NUMBER: SEE PART LIST  
CUSTOMER: GENERAL MARKET  
SHEET NUMBER: 1 OF 2

# PART LIST :

ITEM	MOLEX PN	ENGINEERING NO.	L+TOL. (mm)
1	1200665076	0812 05AMF 25F00	25000
2	1200665077	0812 05AMF 50F00	50000
3	1200665104	0812 03AMF 01100	1000
4	1200665128	0812 04AMF 03E00	3000
5	1200665131	0812 04AMF 15200	15000
6	1200665132	0812 04AMF 20200	20000
7	1200665136	0812 04AMF 95200	7500
8	1200665139	0812 04AMF 96200	12500
11	1200665261	0812 03AMF 01200	1000
12	1200665268	0812 04AMF 01100	1000
13	1200665270	0812 04AMF 02100	2000
14	1200665272	0812 04AMF 05200	5000
15	1200665274	0812 04AMF 91100	600
18	1200665283	0812 05AMF 05200	5000
21	1200665304	0812 03AMF 92200	300
22	1200665324	0812 04AMF 07100	7000
23	1200665325	0812 04AMF 91200	600
24	1200665331	0812 04AMF 97200	17500
28	1200665361	0812 03AMF 02200	2000
29	1200665362	0812 03AMF 05200	5000
30	1200665363	0812 03AMF 03200	3000
31	1200665364	0812 03AMF 08200	8000
32	1200665367	0812 03AMF 10200	10000
33	1200071710	0812 04AMF 05C00	5000
34	1200072890	0812 04AMF 10C00	10000
35	1200665303	0812 03AMF 15800	15000
36	1200668023	0812 04AMF 02C00	2000

## CABLE LENGTH TOLERANCES

LENGTH	TOLERANCE
0m-1m	+40 mm
>1m-5m	+60 mm
>5m-10m	+80 mm
>10m-20m	+140 mm
>20m-30m	+160 mm
>30m	+1% length

THIS DRAWING CONTAINS INFORMATION THAT IS PROPRIETARY TO MOLEX ELECTRONIC TECHNOLOGIES, LLC AND SHOULD NOT BE USED WITHOUT WRITTEN PERMISSION										
DIMENSION UNITS	SCALE	CURRENT REV DESC: OBSOLETE PART NUMBER								
mm	1:1									
GENERAL TOLERANCES (UNLESS SPECIFIED)		EC NO: 655037			CSE M12 XP AC FE STR PUR MA STR XM					
ANGULAR TOL ± °		DRWN: VLOKESHA 2020/12/22			PRODUCT CUSTOMER DRAWING					
4 PLACES ±		CHK'D: GGA 2021/03/16			DOCUMENT NUMBER					
3 PLACES ±		APPR: GGA 2021/03/16			1200665076		PSD	000	A2	REVISION
2 PLACES ±		INITIAL REVISION:			2019/09/11					
1 PLACE ±		DRWN: MDHARMANTI 2019/10/17			2019/10/17					
0 PLACES ±		APPR: RSILLER								
DRAFT WHERE APPLICABLE MUST REMAIN WITHIN DIMENSIONS		THIRD ANGLE PROJECTION	DRAWING	SERIES	MATERIAL NUMBER	CUSTOMER		SHEET NUMBER		
			A3-SIZE	120066	SEE PART LIST	GENERAL MARKET		2 OF 2		