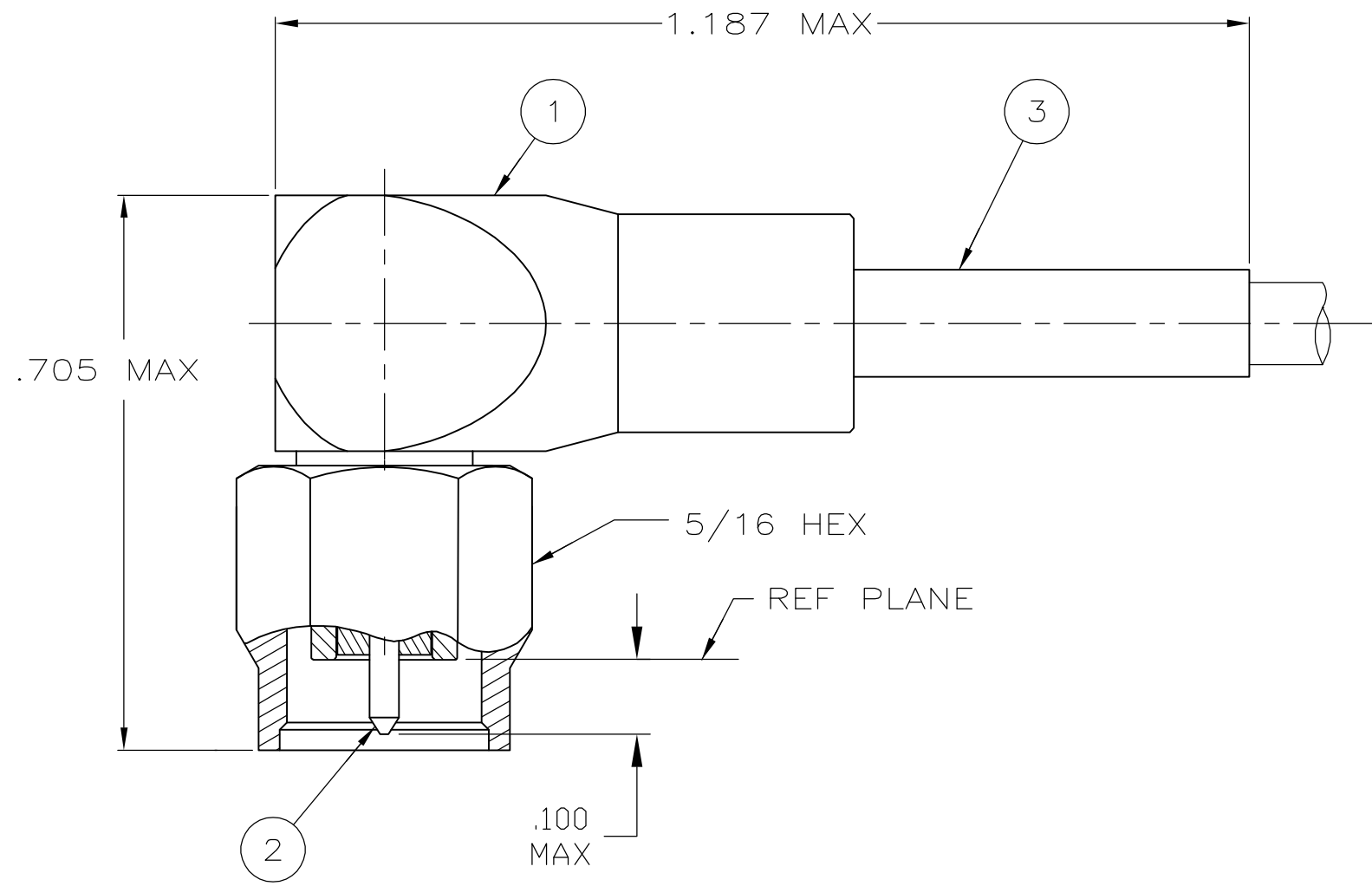
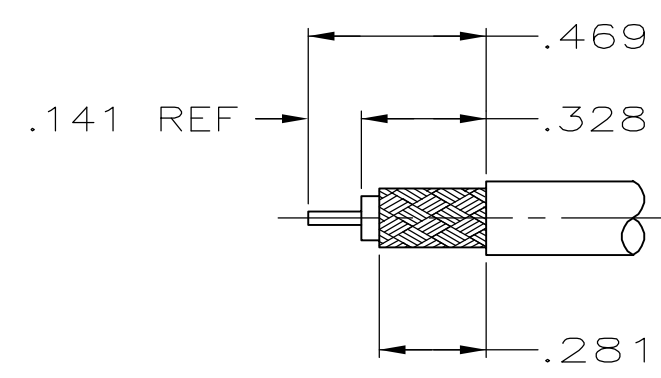


THIS DRAWING IS UNPUBLISHED. RELEASED FOR PUBLICATION
 © COPYRIGHT BY TYCO ELECTRONICS CORPORATION. ALL RIGHTS RESERVED.

LOC	DIST	REVISIONS			
P	LTR	DESCRIPTION	DATE	DWN	APVD
DF	X5				
	0	RELEASED	2-6-06	CT	FB



1. FOR USE WITH: RG-174/U, 188A/U, & 316/U CABLE
2. CRIMP WITH TOOL: 220061-1
3. SEE I.S. 2322
4. THIS IS A LEAD-FREE VERSION OF 225609-4.



RECOMMENDED STRIP LENGTH
 SCALE: NTS

QTY	PART NUMBER	DESCRIPTION	ITEM
1	9-50285-0	FERRULE	3
1	448180-3	CONTACT	2
1	225566-2	RTANG PLUG ASSY	1

THIS DRAWING IS A CONTROLLED DOCUMENT.		DWN C.C.THOMAS 06FEB2006	Tyco Electronics Corporation Harrisburg, PA 17105-3608	
DIMENSIONS: INCHES		CHK F.BLASICK 2-6-06		
TOLERANCES UNLESS OTHERWISE SPECIFIED:		APVD F.BLASICK 2-6-06	NAME KIT, PLUG, RIGHT ANGLE, SMA	
0 PLC ± - 1 PLC ± - 2 PLC ± - 3 PLC ± .005 4 PLC ± - ANGLES ± -		PRODUCT SPEC -	RESTRICTED TO -	
MATERIAL -		FINISH -	APPLICATION SPEC -	WEIGHT -
		SIZE A3		CAGE CODE 00779
		DRAWING NO 1-225609-5		REV 0
		SCALE 5:1		SHEET 1 OF 1
		CUSTOMER DRAWING		