

# Rocker Switch



## Single Pole

PR Series

### Features

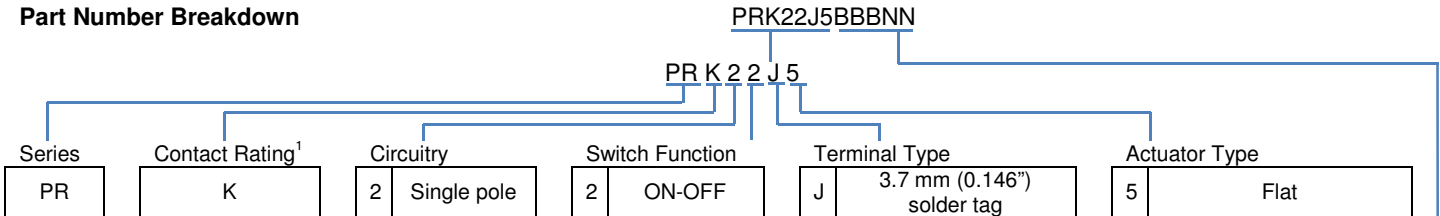
- Low-profile, small design
- RoHS compliant
- Minimum 50,000 operations mechanical life

### Standard Parts<sup>1</sup>

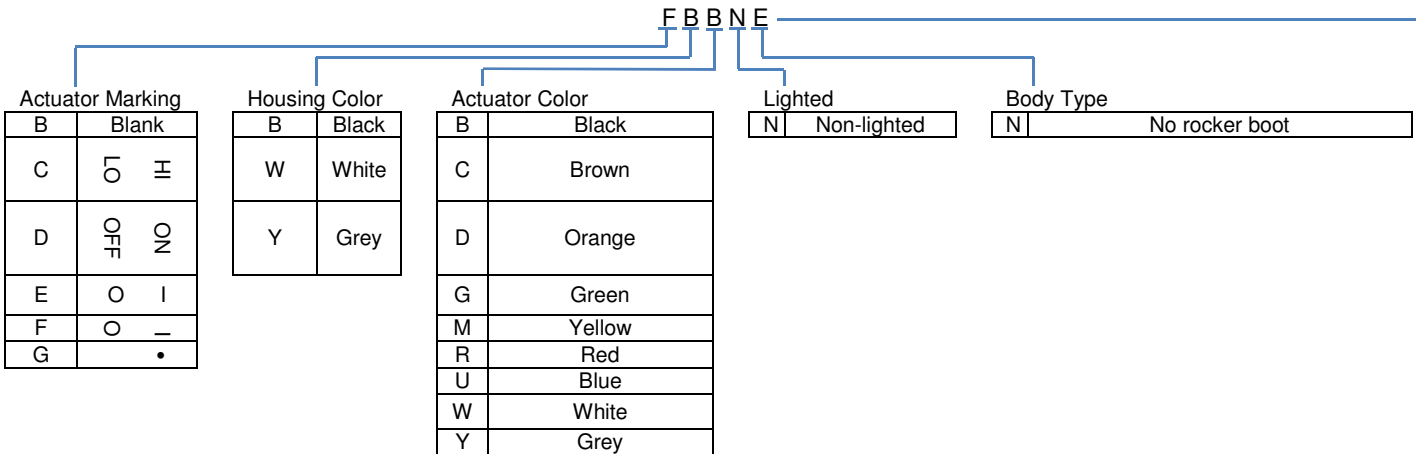
North America and Europe		Europe Only
PRK22J5BBBNN	PRK22J5DBBNN	PRK22J5EBBNN

<sup>1</sup>The part number configuration matrix below provides details to the part numbers above. For configurable part numbers that are not listed above, contact the factory or your distributor.

### Part Number Breakdown



<sup>1</sup>See Electrical Specifications section



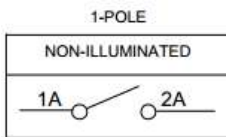
## Electrical Specifications

Inrush Rating				N/A
Dielectric Strength				1000 VAC for 1 minute
Insulation Resistance				100 MΩ min at 500 VDC
Initial Contact Resistance				0.020 Ω max
Switch Function	2	EN61058-1 Rating 3 A 250 VAC ~μ T100/55	UL General Purpose 1054 6 A 125 VAC / 3 A 250 VAC	UL HP Rating -
Electrical Life at Rated Load Minimum Operations	VDE 10,000	UL 6,000		
UL File No: E23301				

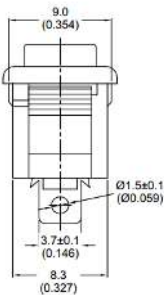
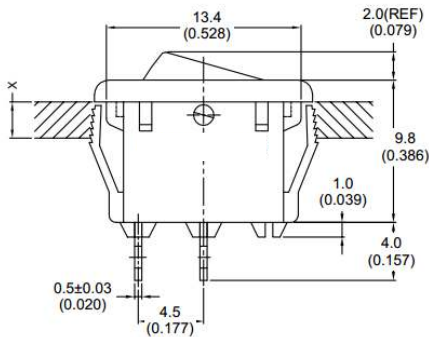
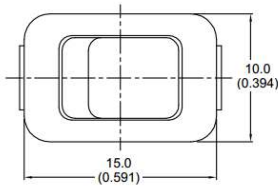
## Material and Environmental Specifications

Actuator	PBT UL94 V-0 Rated			
Base	PA66 UL94 V-0 Rated			
Spring	Piano Wire			
Contacts	Silver Alloy			
Movable Arm	Silver-Plated Copper Alloy			
Terminals	Silver-Plated Copper Alloy			
Operating Temperature Range	0 °C to +65 °C (32 °F to +149 °F)			

## Circuitry and Switch Functions



## Dimensions mm (inches)



Recommended Panel Cut-Out Dimensions		
Panel thickness	X Dimension	Y dimension
0.75 to 1.25 (0.30 to 0.049)	13.6 +0/-0.1 (0.535)	9.2 (0.362)
1.25 to 2.00 (0.049 to 0.079)	13.7 +0/-0.1 (0.540)	9.2 (0.362)
2.00 to 2.50 (0.079 to 0.098)	13.7 +0/-0.1 (0.543)	9.2 (0.362)

