

1

2

3

4

A

A

B

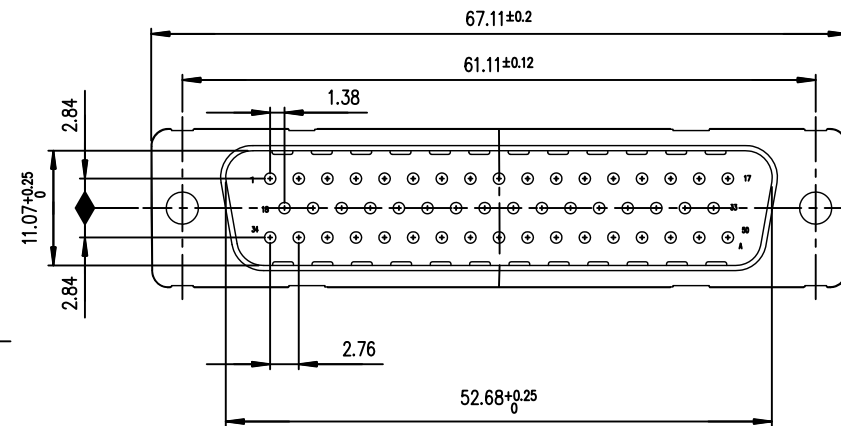
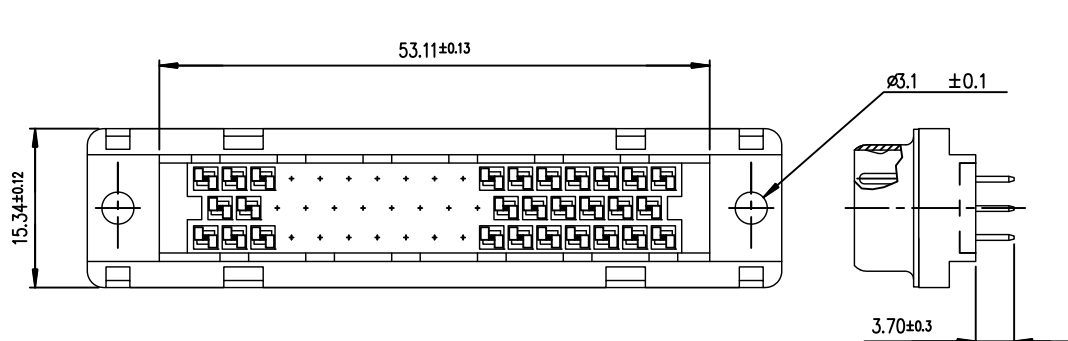
B

C

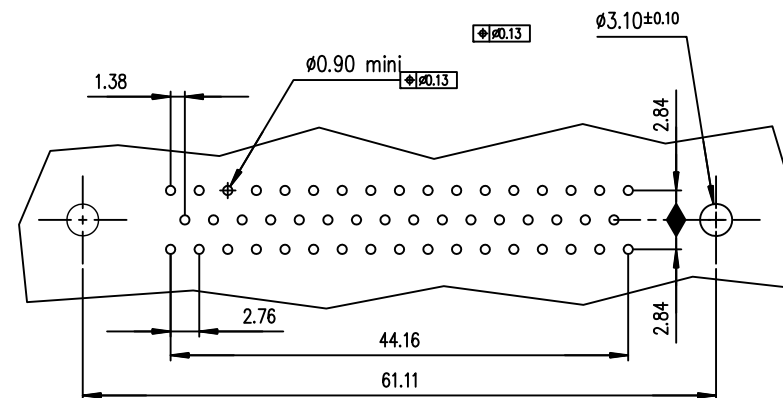
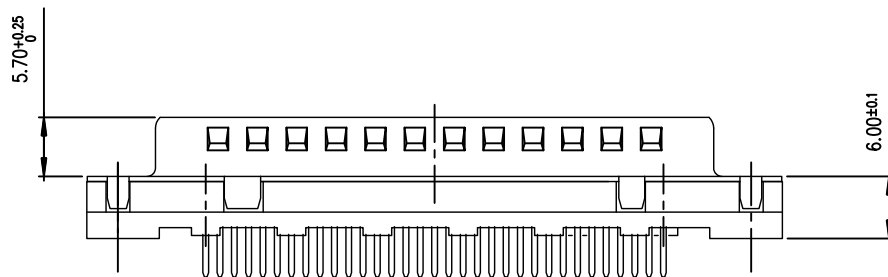
C

D

D



PC card drilling dimensions
(after plating - thickness: 2.40 mm)



REQUIREMENTS

Technical characteristics:

- Shell: steel tin plated
- Insulators: self-extinguishing thermoplastic, ULclass94V0
- Contacts size 20: phosphor bronze, gold on mating end (see table)
- bright tin on termination end over nickel on entire contact
- Cycles : >500 for plating 6
>200 for plating 4

gauge retention force: 0.20N mini

Electrical characteristics:

- max.current rating: 5A
- Test voltage: 1000V
- Rated voltage: 300V
- Contact resistance: ≤10mΩ
- Shell resistance: ≤5mΩ
- Insulation resistance: ≥5000MΩ

Climatic characteristics:

Operating temperature range: -55°c +125°c

Dimensions:

in accordance with MIL-C-24308C and DIN41652

Plating: 4 --> flash AU
Plating: 6 --> 0.76µ AU

Part number D50P24B*PA00

European Views

www.fciconnect.com			surface ISO 1302	tolerance std ISO 406 ISO 1101	projection mm
			TOLERANCES UNLESS OTHERWISE SPECIFIED		mm
Dr	MASSON	2000/07/26	ANGULAR	0.X	±0.1
Eng	MASSON	2000/07/26		LINEAR	0.XX
Chr	M PESSON	2000/07/26	0.xx* ±2	0.xxx	±0.1
Appr	M PESSON	2000/07/26	Product family		D-SUB
					Spec ref -
title MALE CONNECTOR DELTA D 50-EUROPE Straight solder, Nuts UNC 4-40			dwg no C01-8646-0718		Rev. B
catalog no			CUSTOMER		sheet 1 of 1

rev	ecn no	dr	date
A	-	MAS	2000/07/26
B	LS06-0208	LGO	2006/12/12
-	-	-	-
-	-	-	-
-	-	-	-
-	-	-	-



Copyright FCI

1

2

3

4