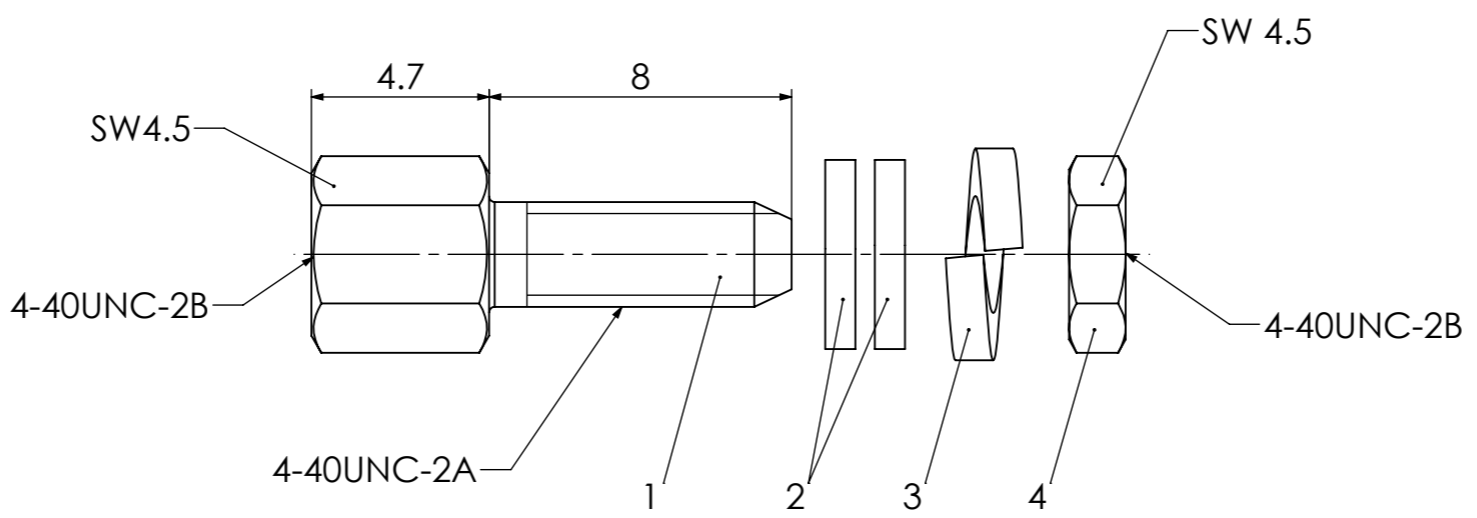


1	2	3	4	5	6	7	8		
MATERIAL NO.	Part No.	Material	Surface	1 Screw (quantity)	2 Washer (quantity)	3 Spring washer (quantity)	4 Nut (quantity)	Package	Notice
1731120014	F-GSCH1/5	Steel	zinc plated	2	4	2	2	in pairs	packed together in a bag
1727040093	F-GSCH1/5SN		tin plated	2	4	2	2	in pairs	packed together in a bag
1731121006	F-GSCH1/5S		zinc plated	max. 5000	max. 10000	max. 5000	max. 5000	bulk packed	individually packed in bags
1731120416	F-GSCH1/5SSN		tin plated	max. 5000	max. 10000	max. 5000	max. 5000	bulk packed	individually packed in bags
1731121042	F-GSCH1/5-K320		zinc plated	max. 5000	-	-	-	bulk packed	
1731120291	F-GSCH1/5-K320SN		tin plated	max. 5000	-	-	-	bulk packed	
1731121184	F-GSCH1/5-K660		zinc plated	max. 5000	-	max. 5000	-	bulk packed	individually packed in bags
1731120593	F-GSCH1/5-K1074		zinc plated	500	500	500	500	bulk packed	individually packed in bags



RoHS compliant
by exemption

COMMENT: ALL RIGHTS ARE RESERVED BY US FOR THIS DRAWING. WITHOUT OUR PRIOR CONSENT, IT MAY NEITHER BE DUPLICATED NOR MADE AVAILABLE TO A THIRD PARTY. AND IT ALSO MAY NOT BE IMPROPERLY USED BY THE RECEIVER, OR A THIRD PARTY.

THIS DRAWING CONTAINS INFORMATION THAT IS PROPRIETARY TO MOLEX ELECTRONIC TECHNOLOGIES, LLC AND SHOULD NOT BE USED WITHOUT WRITTEN PERMISSION									
SYMBOLS		DIMENSION UNITS	SCALE	MEASUREMENTS WITHOUT TOLERANCE ACC. TO ISO 2768-m					
= 0 = 0 = 0 = 0 = 0 = 0 = 0 = 0 = 0 = 0		mm	2:1	CURRENT REVISION					
				DRWN: DRAWN BY	MTeubel	15-02-2019	molex FCT-Female Screw Lock 4-40/4-40		
				APPR: APPR BY	gkrimshandl	18-02-2019			
				INITIAL REVISION	PRODUCT CUSTOMER DRAWING				
				DRWN: DRAWN BY	sschref	19-09-2012	MATERIAL NUMBER		REVISION
				APPR: APPR BY	jmairose	27-04-2015	see table		2
REPLACEMENT FOR:				THIRD ANGLE PROJECTION	DRAWING		DOCUMENT NUMBER		CUSTOMER
					A3-SIZE		F-GSCH		GENERAL MARKET
								SHEET NUMBER	1 OF 1