

13	HARDPAPER-RING 34x219x12
12	RUBBERING 10x1x1
11	CARTON 363X176X176
10	PE-BAG 600X600
9	M2 x 12 POZDRIVE
7	HEAT SHRINK TUBE
6	SELF-ADHESIVE LABEL, WITH MARKING 2, SMUDGE PROOF
5	SELF-ADHESIVE LABEL, WITH MARKING 3, SMUDGE PROOF
4	SELF-ADHESIVE LABEL, WITH MARKING 1, SMUDGE PROOF
3	CABLE LABEL WITH MARKING, SEE MARKING TABLE
2	HIGH PERFORMANCE CONNECTOR, 2MM GRID 8 ROW
1	SHIELDED TWINAXIAL CALBLE 8x100 Ω

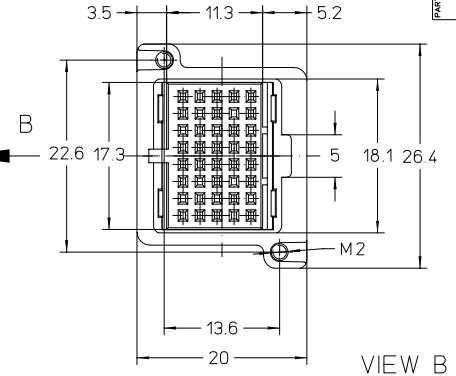
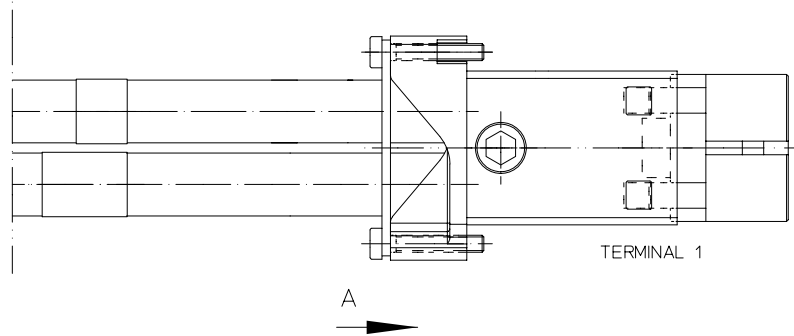
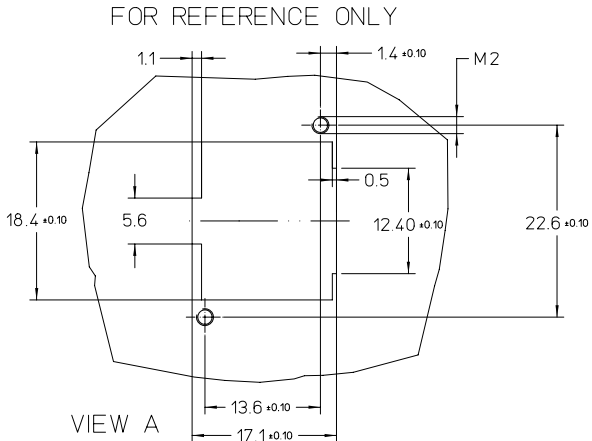
ALCATEL PART NO:		3AL 69623 0003	3AL 69623 0002	3AL 69623 0001	3AL 69623 0000	3AL 69623 0000	3AL 69623 0000	3AL 69623 0000	3AL 69623 0000	3AL 69623 0000	3AL 69623 0000	3AL 69623 0000	3AL 69623 0000	3AL 69623 0000
L	CABLE LENGTH L2	5	10	12	14,95	20	6	7	8	9	11	13	14	
POS	TITLE	QUANTITY												
CHART (PARTS LIST)		FINAL ASSEMBLIES	85348-0007	85348-0010	85348-0001	85348-0002	85348-0011	85348-0013	85348-0014	85348-0015	85348-0017	85348-0018		

LABEL POS 6 MARKING	
85348-0018 (14 m)	3AL 69623 0011 MG85348-0018 WW/YY BXXXX
85348-0017 (13 m)	3AL 69623 0010 MG85348-0017 WW/YY BXXXX
85348-0015 (11 m)	3AL 69623 0008 MG85348-0015 WW/YY BXXXX
85348-0014 (9 m)	3AL 69623 0007 MG85348-0014 WW/YY BXXXX
85348-0013 (8 m)	3AL 69623 0006 MG85348-0013 WW/YY BXXXX
85348-0012 (7 m)	3AL 69623 0005 MG85348-0012 WW/YY BXXXX
85348-0011 (6 m)	3AL 69623 0004 MG85348-0011 WW/YY BXXXX
85348-0003 (20 m)	3AL 69623 XXXX MG85348-0003 WW/YY BXXXX
85348-0002 (14,95 m)	3AL 69623 0001 MG85348-0002 WW/YY BXXXX
85348-0001 (12 m)	3AL 69623 0009 MG85348-0001 WW/YY BXXXX
85348-0010 (10 m)	3AL 69623 0002 MG85348-0010 WW/YY BXXXX
85348-0007 (5 m)	3AL 69623 0003 MG85348-0007 WW/YY BXXXX
SERIES-NO.	MARKING TEXT

NOTES

- 1) QUANTITY OF HEAT SHRINK TUBES HAS TO BE DEFINED BY THE SUPPLIER
- 2) CABLE RETENTION ON EACH CONNECTOR: F = MIN. 100N
- 3) THE ASSEMBLED CONNECTOR KIT HAS TO BE INSERTED ACC. TO IAB 02907 0008
- 4) MATERIAL:
 - METAL HOOD: ZINK DIECAST, PLATING NICKEL
 - HOUSING: LIQUID CRYSTAL POLYMER (LCP)
 - PLASTIC COVER: FERRULES BRASS, PLATING NICKEL
 - GASKET: ELASTOMERE WITH SILVER PARTS

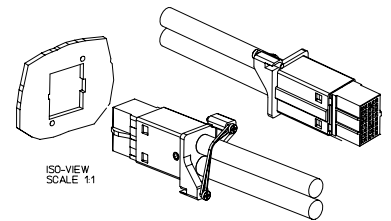
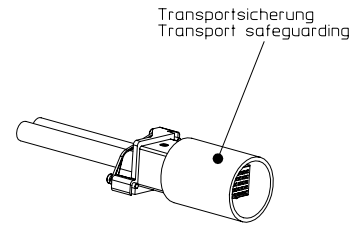
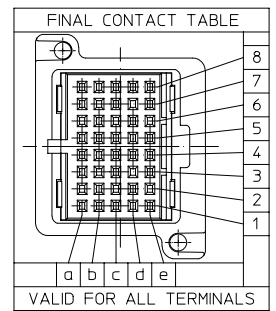
EC NO. MS2002-0248	QUALITY SYMBOLS	GENERAL TOLERANCES (UNLESS SPECIFIED)	SCALE 2:1	DESIGN UNITS	DIMENSIONS	SHT	REV			
DRWN: H.Bauer 01/11/14	MAJOR	mm INCH	mm INCH	mm INCH	mm INCH					
CHK: W.Starke 01/11/14	CRITICAL	mm INCH	mm INCH	mm INCH	mm INCH					
APPR: H.Konrad 01/11/14		mm INCH	mm INCH	mm INCH	mm INCH					
DESCRIPTION	DESCRIPTION	DESCRIPTION	DESCRIPTION	DESCRIPTION	DESCRIPTION	DESCRIPTION	DESCRIPTION			
4	4 PLACES ±--- ±---	3 PLACES ±--- ±---	2 PLACES ±--- ±---	1 PLACE ±--- ±---	ANGULAR ± 1/2°	CAD FILENAME	MATERIAL NO. SEE CHART	DESIGN NO. SD-85348-100	SHEET NO. 1 of 2	SIZE D
DRAFT WHERE APPLICABLE MUST REMAIN WITHIN DIMENSIONS										
THIS DRAWING CONTAINS INFORMATION THAT IS PROPRIETARY TO MOLEX INCORPORATED AND SHOULD NOT BE USED WITHOUT WRITTEN PERMISSION										



WIRING LIST					
CABLE	SYMM CORD	WIRE	FROM TERM.1	TO TERM.2	
1	blue	a	1a	5a	
		b	1b	5b	
		c	1c	5c	
	2	blue	a	1d	5d
		b	1e	5e	
		c	1c	5c	
	3	yel.	a	2a	6a
		b	2b	6b	
		c	2c	6c	
	4	red	a	2d	6d
		b	2e	6e	
		c	2c	6c	
5	yel.	a	3a	7a	
	b	3b	7b		
	c	3c	7c		
6	red	a	3d	7d	
	b	3e	7e		
	c	3c	7c		
7	yel.	a	4a	8a	
	b	4b	8b		
	c	4c	8c		
8	red	a	4d	8d	
	b	4e	8e		
	c	4c	8c		

wires: a,b = white isolated, c = ground

CABLE	SYMM CORD	WIRE	FROM TERM.1	TO TERM.3	
2	blue	a	5a	1a	
		b	5b	1b	
		c	5c	1c	
	2	blue	a	5d	1d
		b	5e	1e	
		c	5c	1c	
	3	yel.	a	6a	2a
		b	6b	2b	
		c	6c	2c	
	4	red	a	6d	2d
		b	6e	2e	
		c	6c	2c	
5	yel.	a	7a	3a	
	b	7b	3b		
	c	7c	3c		
6	red	a	7d	3d	
	b	7e	3e		
	c	7c	3c		
7	yel.	a	8a	4a	
	b	8b	4b		
	c	8c	4c		
8	red	a	8d	4d	
	b	8e	4e		
	c	8c	4c		



EC NO MG2002-0248 DRWN: HBauer 01/11/14 CHK: W.Stanke 01/11/14 APPR: HKonrad 01/11/14	QUALITY SYMBOLS MAJOR CRITICAL	GENERAL TOLERANCES: (UNLESS SPECIFIED) mm INCH 4 PLACES ±--- ±--- 3 PLACES ±--- ±--- 2 PLACES ±--- ±--- 1 PLACE ±--- ±--- ANGULAR: ± 1/2°	SCALE 2.5:1 DESIGN UNITS <input checked="" type="checkbox"/> mm <input type="checkbox"/> INCH DRAWN BY & DATE hbauer 2001/11/20 CHECKED BY & DATE MRAUCH APPROVED BY & DATE HKONRAD	DIMENSIONS: <input type="checkbox"/> mm <input type="checkbox"/> INCH <input checked="" type="checkbox"/> mm ONLY THIRD ANGLE PROJECTION TITLE 8 FOLD TWINAX HIGH PERF. GTI JUMPER CABLE SALES DRAWING molex MOLEX INCORPORATED	SHT 2 REV 2 REVISE ON CAD ONLY
	CAD FILENAME MATERIAL NO. 2807/54201 DRAWING NO. SD-85348-100	SHEET NO. 2 of 2 SIZE C	THIS DRAWING CONTAINS INFORMATION THAT IS PROPRIETARY TO MOLEX INCORPORATED AND SHOULD NOT BE USED WITHOUT WRITTEN PERMISSION.		
	DRAFT WHERE APPLICABLE MUST REMAIN WITHIN DIMENSIONS	THIS DRAWING CONTAINS INFORMATION THAT IS PROPRIETARY TO MOLEX INCORPORATED AND SHOULD NOT BE USED WITHOUT WRITTEN PERMISSION.			SIZE C
	REV 4	THIS DRAWING CONTAINS INFORMATION THAT IS PROPRIETARY TO MOLEX INCORPORATED AND SHOULD NOT BE USED WITHOUT WRITTEN PERMISSION.			