

REV	DESCRIPTION	DATE	APPROVED
F 2/17/98	REBRAMN. ADDED *SILASTIC SEALED* TO CONSTRUCTION	92/01/10	KM
G 3/11/95	FIND NO 10 ADDED	96/10/14	RS
H 0885-04	FIND NO 3 WAS 41695-001; REMOVED FIND NO 10	04/08/30	CS

REVISIONS

RELEASED 8-27-81

GASKET SEALED, SILASTIC SEALED



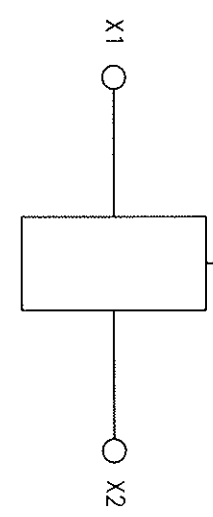
SPST N.O.  
28 VDC  
200 AMP  
800 AMP

CONSTRUCTION  
MAIN CONTACTS  
CONFIGURATION  
VOLTAGE (NOM.)  
CURRENT RES.  
INRUSH

COIL DATA

MAX OPERATE  
MIN OPERATE  
PICKUP AT 25Ω  
DROPOUT  
RES AT 25Ω  
DUTY CYCLE

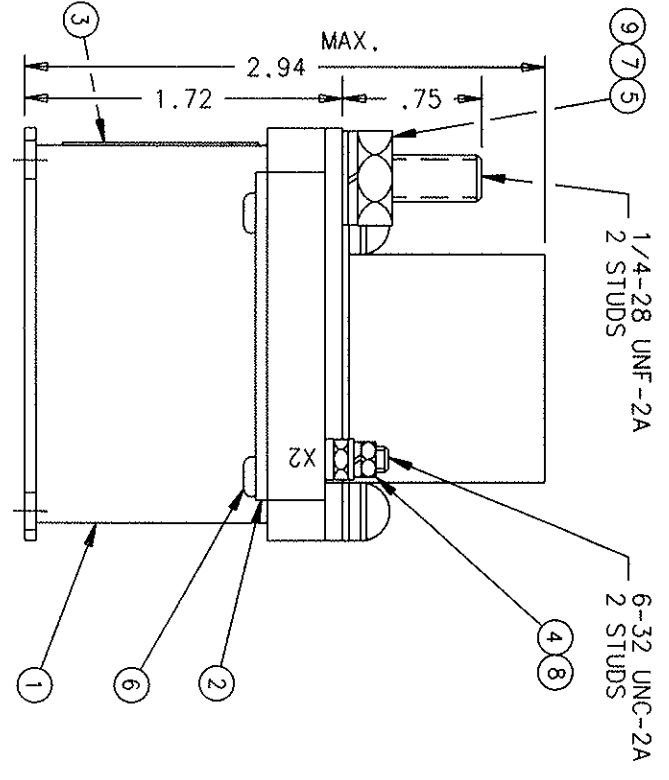
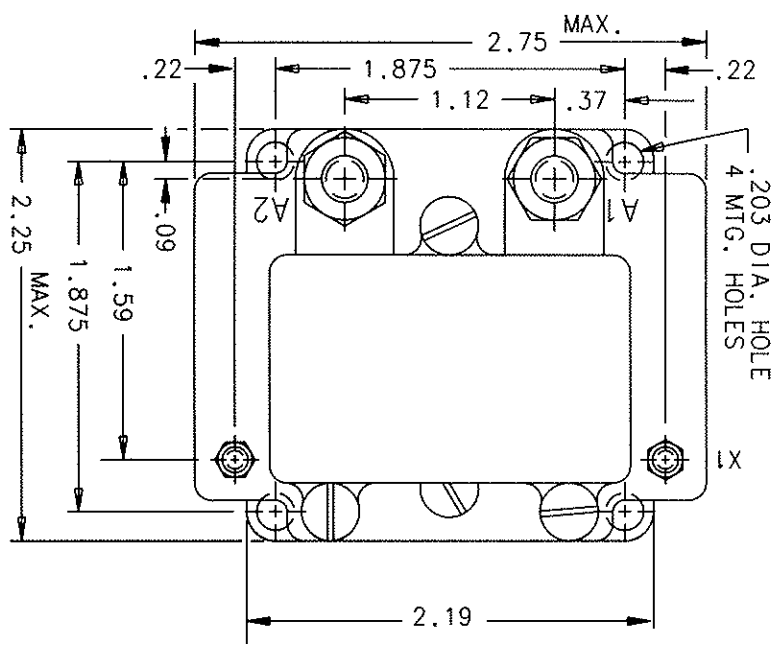
32 VDC  
24 VDC  
16.5 V MAX.  
1 TO 7 VDC  
70 OHM ± 20%  
CONTINUOUS



ENVIRONMENTAL DATA  
AMBIENT TEMP  
LIFE ELECTRICAL  
LIFE MECHANICAL  
WEIGHT MAX (EST)

-55°C TO + 71°C  
50,000 CYCLES MIN  
100,000 CYCLES MIN  
1 LB 8 OZ

NOTE:  
THIS UNIT MEETS THE MATERIALS AND WORKMANSHIP  
REQUIREMENTS OF MIL-R-6106



NO	QTY	PART OR IDENTIFYING NO	NOMENCLATURE OR DESCRIPTION	FSD NO	DRAWING OR SPECIFICATION	MATERIAL OR NOTE
10	2	51807-034	WASHER-LOCK-No. 1/4 SPLIT			BRONZE
9	2	51806-014	WASHER-LOCK-No. 6 SPLIT			BRONZE
8	2	51703-064	SCREW-No. 4 X 1/4 PAN HD.			BRASS
7	2	51200-020	WASHER-FLAT-1/2 X 17/64 X.032			STAINLESS STEEL
6	4	50407-364	WASHER-FLAT-1/2 X 17/64 X.032			BRASS
5	2	50406-034	NUT-1/4-28 X 7/16 X 3/16 HEX			BRASS
4	2	50406-034	NUT-6-32 X 1/4 X 5/64 HEX			BRASS
3	1	47618-007	PLATE-NAME			
2	2	34290-001	PLATE - COVER			
1	1	32659-060	CONTACTOR ASSEMBLY - PRI.			



28 Hartman Division, 175 N. Diamond Street, Mansfield, Ohio 44902

CONTACTOR - S.P.S.T. N.O.  
200 AMP, 28 VDC

DR BY RLS 196/10/28  
CHK BY RS 196/10/28  
ENGR DM 196/10/31  
MFG JH 196/10/30

UNLESS OTHERWISE SPECIFIED  
DIMENSIONS ARE IN INCHES  
TOLERANCES ON

2 PL DEC. 13 PL DEC. ANGLES  
\* .06 \* .010 \* \* 1 \*

SCALE 1/1 SHEET

74063

SIZE CODE IDENT

C

DWG NO. A-1077G

REF TYCO P/N 0-1616055-5