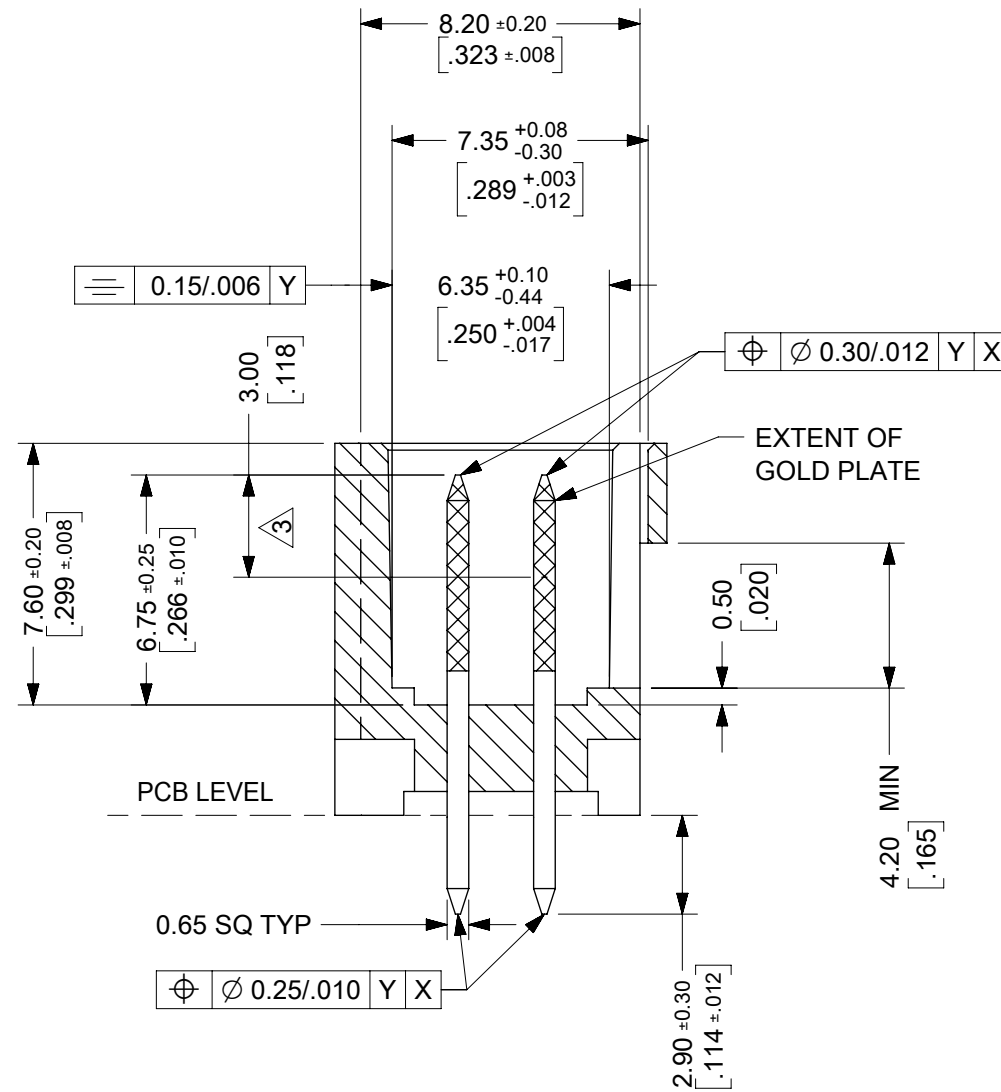


NOTES :

- MATERIAL:-
 - PIN:- (0.65)/.0255 SQ. BRASS WIRE.
 - HOUSING:- 15% GLASS FILLED POLYESTER
 - UL 94 V-0 COLOUR BLACK
- FOR PLATING VERSIONS AND VOID VERSIONS SEE SHEET 2.
- MEASUREMENT POINT FOR MINIMUM PLATING THICKNESS.
- FOR PRODUCT SPEC SEE PS-99020-0001
- RECOMMENDED PCB THICKNESS: 1.60mm



| CKT | DIM A | DIM B | DIM C |
|-----|---------------|---------------|---------------|
| 6 | (5.08)/.200 | (9.96)/.392 | (8.12)/.320 |
| 8 | (7.62)/.300 | (12.50)/.492 | (10.66)/.420 |
| 10 | (10.16)/.400 | (15.04)/.592 | (13.20)/.520 |
| 12 | (12.70)/.500 | (17.58)/.692 | (15.74)/.620 |
| 14 | (15.24)/.600 | (20.12)/.792 | (18.28)/.720 |
| 16 | (17.78)/.700 | (22.66)/.892 | (20.82)/.820 |
| 18 | (20.32)/.800 | (25.20)/.992 | (23.36)/.920 |
| 20 | (22.86)/.900 | (27.74)/1.092 | (25.90)/1.020 |
| 22 | (25.40)/1.000 | (30.28)/1.192 | (28.44)/1.120 |
| 24 | (27.94)/1.100 | (32.82)/1.292 | (30.98)/1.220 |
| 26 | (30.48)/1.200 | (35.36)/1.392 | (33.52)/1.320 |
| 28 | (33.02)/1.300 | (37.90)/1.492 | (36.06)/1.420 |
| 30 | (35.56)/1.400 | (40.44)/1.592 | (38.60)/1.520 |
| 32 | (38.10)/1.500 | (42.98)/1.692 | (41.15)/1.620 |
| 34 | (40.64)/1.600 | (45.52)/1.792 | (43.68)/1.720 |
| 36 | (43.18)/1.700 | (48.06)/1.892 | (46.22)/1.820 |
| 38 | (45.72)/1.800 | (50.60)/1.992 | (48.76)/1.920 |
| 40 | (48.26)/1.900 | (53.14)/2.092 | (51.30)/2.020 |
| 42 | (50.80)/2.000 | (55.68)/2.192 | (53.84)/2.120 |
| 44 | (53.34)/2.100 | (58.22)/2.292 | (56.38)/2.220 |
| 46 | (55.88)/2.200 | (60.76)/2.392 | (58.92)/2.320 |
| 48 | (58.42)/2.300 | (63.30)/2.492 | (61.46)/2.420 |
| 50 | (60.96)/2.400 | (65.84)/2.592 | (64.00)/2.520 |
| 52 | (63.50)/2.500 | (68.38)/2.692 | (66.54)/2.620 |
| 54 | (66.04)/2.600 | (70.92)/2.792 | (69.08)/2.720 |
| 56 | (68.58)/2.700 | (73.46)/2.892 | (71.62)/2.820 |
| 58 | (71.12)/2.800 | (76.00)/2.992 | (74.16)/2.920 |
| 60 | (73.66)/2.900 | (78.54)/3.092 | (76.70)/3.020 |
| 62 | (76.20)/3.000 | (81.08)/3.192 | (79.24)/3.120 |
| 64 | (78.74)/3.100 | (83.62)/3.292 | (81.78)/3.220 |
| 66 | (81.28)/3.200 | (86.16)/3.392 | (84.32)/3.320 |
| 68 | (83.82)/3.300 | (88.70)/3.492 | (86.86)/3.420 |

THIS DRAWING CONTAINS INFORMATION THAT IS PROPRIETARY TO MOLEX ELECTRONIC TECHNOLOGIES, LLC AND SHOULD NOT BE USED WITHOUT WRITTEN PERMISSION

| | | | | | |
|--|------------------------|---|--------------|-----------------|----------------|
| DIMENSION UNITS MM/IN | SCALE NTS | CURRENT REV DESC: REMOVED OBSOLETE PART NUMBER AS PER PCN#512063. | molex | | |
| GENERAL TOLERANCES (UNLESS SPECIFIED) | | EC NO: 713759 | | | |
| 4 PLACES ± | ± | DRWN: SANTHN | 2022/09/13 | | |
| 3 PLACES ± | ± 0.004 | CHK'D: GB | 2022/10/07 | | |
| 2 PLACES ± | ± 0.1 | APPR: GB | 2022/10/07 | | |
| 1 PLACE ± | ± | INITIAL REVISION: | | | |
| 0 PLACES ± | ± | DRWN: KS | 1988/08/23 | | |
| ANGULAR TOL ± 0.5° | | APPR: MLONG | 2010/02/19 | | |
| DRAFT WHERE APPLICABLE MUST REMAIN WITHIN DIMENSIONS | THIRD ANGLE PROJECTION | DRAWING | SERIES | MATERIAL NUMBER | CUSTOMER |
| | | A3-SIZE | 90130 | SEE TABLE | GENERAL MARKET |
| DOCUMENT STATUS | | DOC TYPE | DOC PART | REVISION | |
| P1 | RELEASE DATE | PSD | 001 | CA6 | |
| 2022/10/07 | 06:42:03 | SDA-90130 | | 1 OF 6 | |

| VERSION FULLY LOADED | | | | | |
|----------------------|--------------|----------------|----------------|----------------|----------------|
| NO OF CKTS | HSG CKT SIZE | PART NUMBER | | | |
| | | PLATING TYPE A | PLATING TYPE E | PLATING TYPE F | PLATING TYPE G |
| 6 | 6 | 90130-X106 | 90130-X206 | 90130-X306 | 90130-X406 |
| 8 | 8 | 90130-X108 | 90130-X208 | 90130-X308 | 90130-X408 |
| 10 | 10 | 90130-X110 | 90130-X210 | 90130-X310 | 90130-X410 |
| 12 | 12 | 90130-X112 | 90130-X212 | 90130-X312 | 90130-X412 |
| 14 | 14 | 90130-X114 | 90130-X214 | 90130-X314 | 90130-X414 |
| 16 | 16 | 90130-X116 | 90130-X216 | 90130-X316 | 90130-X416 |
| 18 | 18 | 90130-X118 | 90130-X218 | 90130-X318 | 90130-X418 |
| 20 | 20 | 90130-X120 | 90130-X220 | 90130-X320 | 90130-X420 |
| 22 | 22 | 90130-X122 | 90130-X222 | 90130-X322 | 90130-X422 |
| 24 | 24 | 90130-X124 | 90130-X224 | 90130-X324 | 90130-X424 |
| 26 | 26 | 90130-X126 | 90130-X226 | 90130-X326 | 90130-X426 |
| 28 | 28 | 90130-X128 | 90130-X228 | 90130-X328 | 90130-X428 |
| 30 | 30 | 90130-X130 | 90130-X230 | 90130-X330 | 90130-X430 |
| 32 | 32 | 90130-X132 | 90130-X232 | 90130-X332 | 90130-X432 |
| 34 | 34 | 90130-X134 | 90130-X234 | 90130-X334 | 90130-X434 |
| 36 | 36 | 90130-X136 | 90130-X236 | 90130-X336 | 90130-X436 |
| 38 | 38 | 90130-X138 | 90130-X238 | 90130-X338 | 90130-X438 |
| 40 | 40 | 90130-X140 | 90130-X240 | 90130-X340 | 90130-X440 |
| 42 | 42 | 90130-X142 | 90130-X242 | 90130-X342 | 90130-X442 |
| 44 | 44 | 90130-X144 | 90130-X244 | 90130-X344 | 90130-X444 |
| 46 | 46 | 90130-X146 | 90130-X246 | 90130-X346 | 90130-X446 |
| 48 | 48 | 90130-X148 | 90130-X248 | 90130-X348 | 90130-X448 |
| 50 | 50 | 90130-X150 | 90130-X250 | 90130-X350 | 90130-X450 |
| 52 | 52 | 90130-X152 | 90130-X252 | 90130-X352 | 90130-X452 |
| 54 | 54 | - | - | - | 90130-X454 |
| 56 | 56 | 90130-X156 | - | - | 90130-X456 |
| 58 | 58 | 90130-X158 | 90130-X258 | 90130-X358 | 90130-X458 |
| 60 | 60 | - | - | - | 90130-X460 |
| 62 | 62 | 90130-X162 | 90130-X262 | 90130-X362 | 90130-X462 |
| 64 | 64 | - | - | - | 90130-X464 |
| 66 | 66 | 90130-X166 | 90130-X266 | 90130-X366 | 90130-X466 |
| 68 | 68 | 90130-X168 | 90130-X268 | 90130-X368 | 90130-X468 |

NOTES :

- FOR ASSEMBLY, SEE SHEET 1.
- REFER TO LEGEND FOR PLATING OPTIONS.

90130 - * * * *


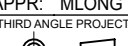
PLATING TYPES

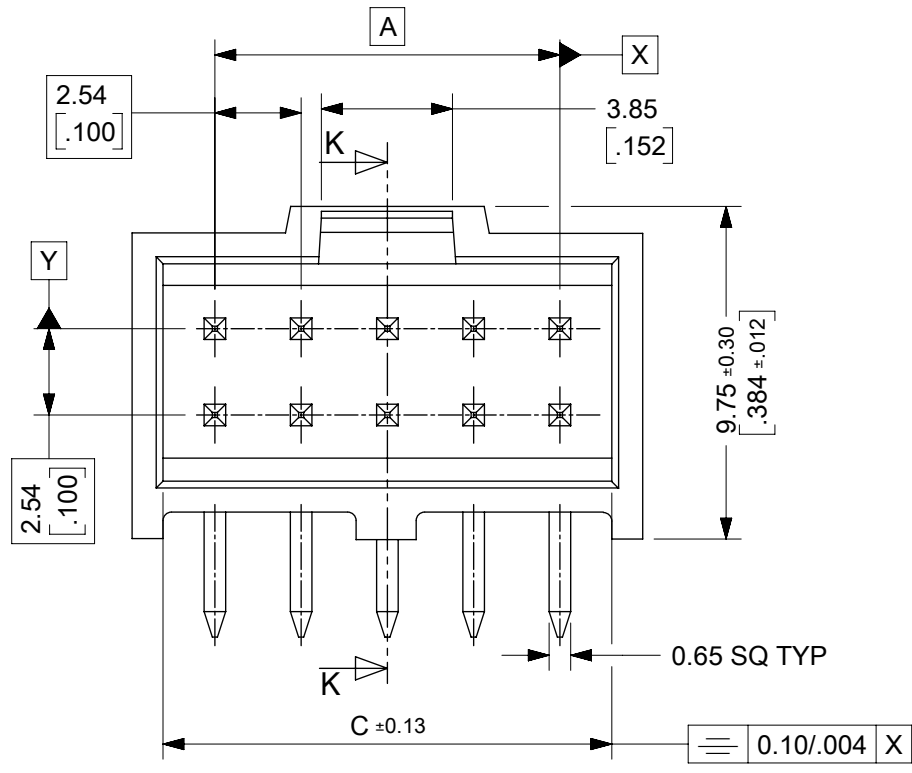
STYLE: - 1. STRAIGHT PIN VERSION
8. VERSION WITH VOIDS

- TYPE A:
3.0µm MIN. TIN OVER 1.27µm - 2.54µm NICKEL.
- TYPE E:
0.38µm MIN. GOLD IN SELECTED AREA & 3.0µm MIN. TIN IN SELECTED AREA OVER 1.3µm MIN. NICKEL OVERALL.
- TYPE F:
0.76µm MIN. GOLD IN SELECTED AREA. & 3.0µm MIN. TIN IN SELECTED AREA OVER 1.3µm MIN. NICKEL OVERALL.
- TYPE G:
0.05 -0.10µm GOLD FLASH IN SELECTED AREA & 3.0µm MIN. TIN IN SELECTED AREA OVER 1.3µm MIN. NICKEL OVERALL.

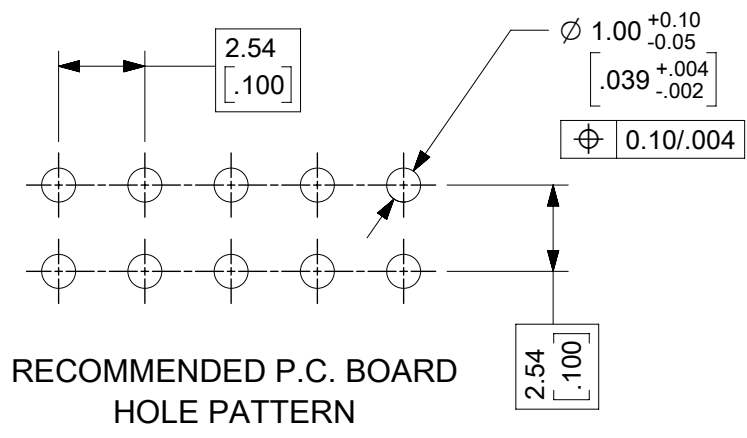
VOIDED OPTIONS

| NO OF CKTS | HSG CKT SIZE | VOIDED PART NUMBER | VOID POSITION | PLATING TYPE |
|------------|--------------|--------------------|---------------|--------------|
| 9 | 10 | 90130-8190 | 3 | A |
| 9 | 10 | 90130-8309 | 2 | F |
| 9 | 10 | 90130-8311 | 1 | F |
| 11 | 12 | 90130-8212 | 12 | E |
| 11 | 12 | 90130-8213 | 2 | E |
| 11 | 12 | 90130-8313 | 2 | F |
| 11 | 12 | 90130-8191 | 3 | A |

| | | | | | | | | | |
|---|--|---------|--|---|--|-----------------|--|---|--|
| THIS DRAWING CONTAINS INFORMATION THAT IS PROPRIETARY TO MOLEX ELECTRONIC TECHNOLOGIES, LLC AND SHOULD NOT BE USED WITHOUT WRITTEN PERMISSION | | | | | | | | | |
| DIMENSION UNITS | | SCALE | | CURRENT REV DESC: REMOVED OBSOLETE PART NUMBER AS PER PCN#512063. | | | |  | |
| MM/IN | | NTS | | | | | | | |
| GENERAL TOLERANCES (UNLESS SPECIFIED) | | | | EC NO: 713759 | | 2022/09/13 | | C-GRID III | |
| 4 PLACES ± | | ± | | DRWN: SANTHN | | 2022/10/07 | | DUAL ROW STRAIGHT SHROUDED HEADER | |
| 3 PLACES ± | | ± 0.004 | | CHK'D: GB | | 2022/10/07 | | PRODUCT CUSTOMER DRAWING | |
| 2 PLACES ± | | ± 0.1 | | APPR: GB | | 2022/10/07 | | | |
| 1 PLACE ± | | ± | | INITIAL REVISION: | | | | DOCUMENT NUMBER | |
| 0 PLACES ± | | ± | | DRWN: KS | | 1988/08/23 | | SDA-90130 | |
| ANGULAR TOL ± | | ± 0.5° | | APPR: MLONG | | 2010/02/19 | | PSD 001 CA6 | |
| DRAFT WHERE APPLICABLE MUST REMAIN WITHIN DIMENSIONS | | | | THIRD ANGLE PROJECTION | | DRAWING | | SERIES | |
| | | | |  | | A3-SIZE | | 90130 | |
| | | | | | | MATERIAL NUMBER | | CUSTOMER | |
| | | | | | | SEE TABLE | | GENERAL MARKET | |
| | | | | | | | | SHEET NUMBER | |
| | | | | | | | | 2 OF 6 | |

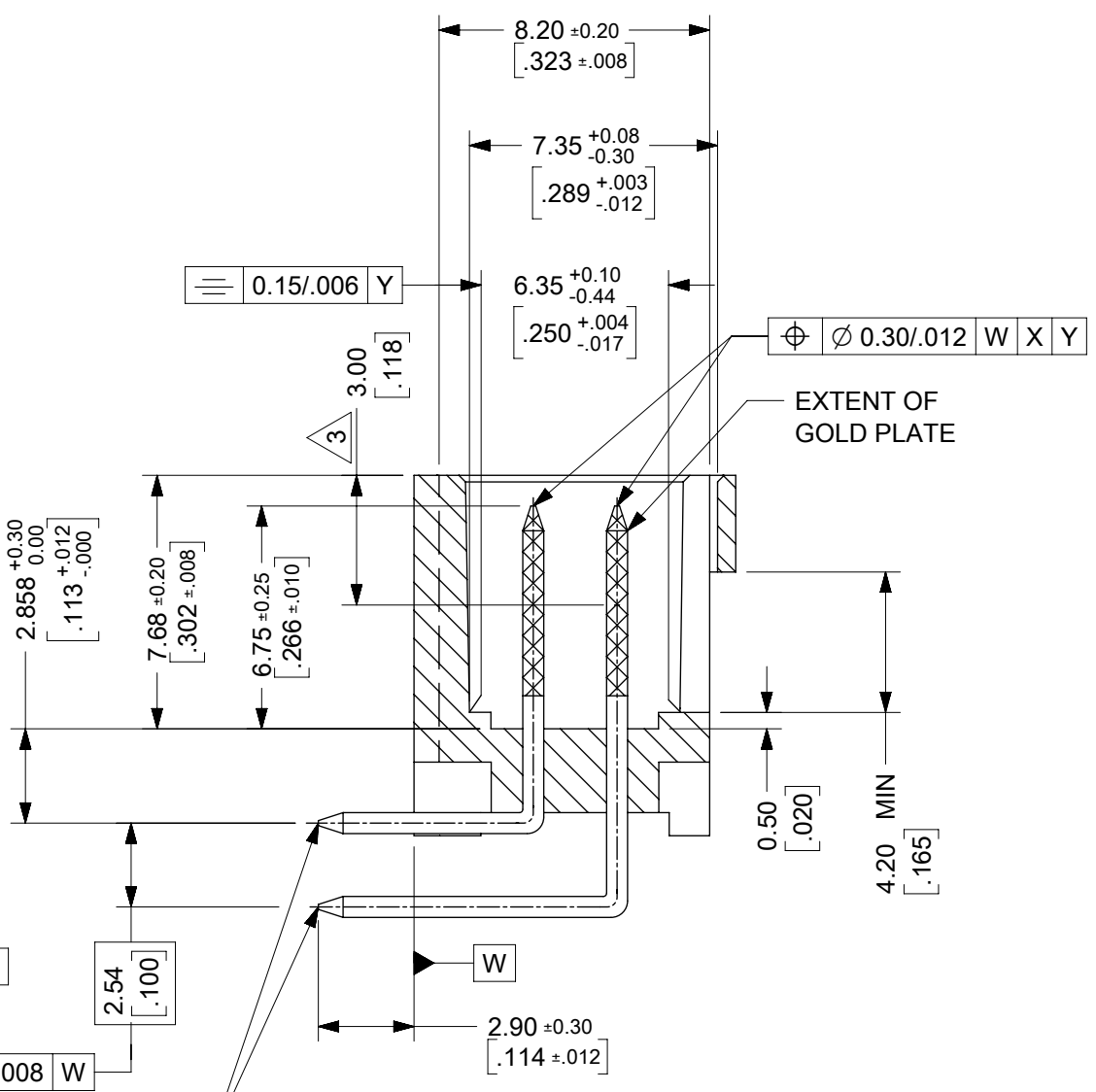
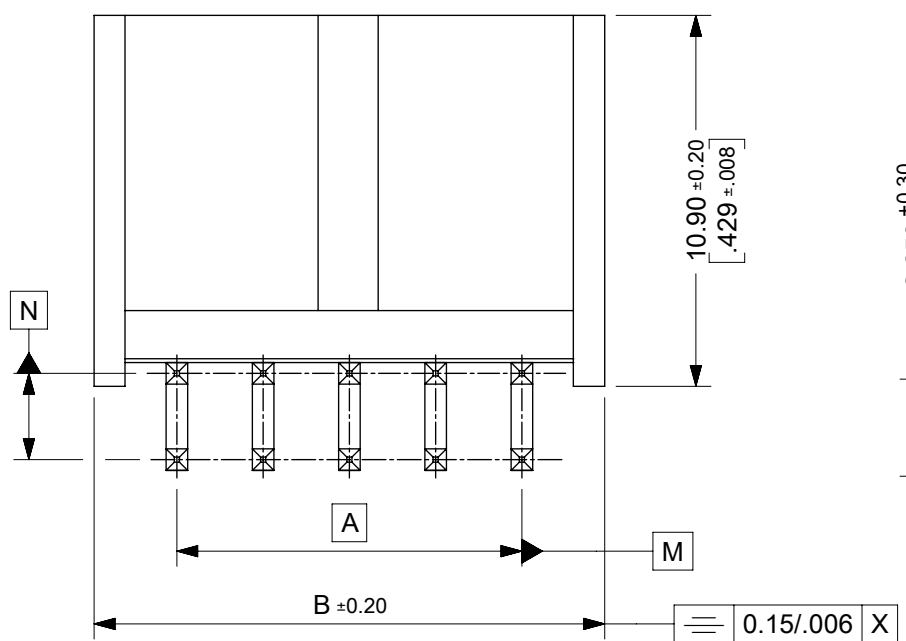


VERSION FULLY LOADED



RECOMMENDED P.C. BOARD HOLE PATTERN

| CKT | DIM A | DIM B | DIM C |
|-----|----------------|----------------|----------------|
| 6 | (5.08)/ .200 | (9.96)/ .392 | (8.12)/ .320 |
| 8 | (7.62)/ .300 | (12.50)/ .492 | (10.66)/ .420 |
| 10 | (10.16)/ .400 | (15.04)/ .592 | (13.20)/ .520 |
| 12 | (12.70)/ .500 | (17.58)/ .692 | (15.74)/ .620 |
| 14 | (15.24)/ .600 | (20.12)/ .792 | (18.28)/ .720 |
| 16 | (17.78)/ .700 | (22.66)/ .892 | (20.82)/ .820 |
| 18 | (20.32)/ .800 | (25.20)/ .992 | (23.36)/ .920 |
| 20 | (22.86)/ .900 | (27.74)/ 1.092 | (25.90)/ 1.020 |
| 22 | (25.40)/ 1.000 | (30.28)/ 1.192 | (28.44)/ 1.120 |
| 24 | (27.94)/ 1.100 | (32.82)/ 1.292 | (30.98)/ 1.220 |
| 26 | (30.48)/ 1.200 | (35.36)/ 1.392 | (33.52)/ 1.320 |
| 28 | (33.02)/ 1.300 | (37.90)/ 1.492 | (36.06)/ 1.420 |
| 30 | (35.56)/ 1.400 | (40.44)/ 1.592 | (38.60)/ 1.520 |
| 32 | (38.10)/ 1.500 | (42.98)/ 1.692 | (41.15)/ 1.620 |
| 34 | (40.64)/ 1.600 | (45.52)/ 1.792 | (43.68)/ 1.720 |
| 36 | (43.18)/ 1.700 | (48.06)/ 1.892 | (46.22)/ 1.820 |
| 38 | (45.72)/ 1.800 | (50.60)/ 1.992 | (48.76)/ 1.920 |
| 40 | (48.26)/ 1.900 | (53.14)/ 2.092 | (51.30)/ 2.020 |
| 42 | (50.80)/ 2.000 | (55.68)/ 2.192 | (53.84)/ 2.120 |
| 44 | (53.34)/ 2.100 | (58.22)/ 2.292 | (56.38)/ 2.220 |
| 46 | (55.88)/ 2.200 | (60.76)/ 2.392 | (58.92)/ 2.320 |
| 48 | (58.42)/ 2.300 | (63.30)/ 2.492 | (61.46)/ 2.420 |
| 50 | (60.96)/ 2.400 | (65.84)/ 2.592 | (64.00)/ 2.520 |
| 52 | (63.50)/ 2.500 | (68.38)/ 2.692 | (66.54)/ 2.620 |
| 54 | (66.04)/ 2.600 | (70.92)/ 2.792 | (69.08)/ 2.720 |
| 56 | (68.58)/ 2.700 | (73.46)/ 2.892 | (71.62)/ 2.820 |
| 58 | (71.12)/ 2.800 | (76.00)/ 2.992 | (74.16)/ 2.920 |
| 60 | (73.66)/ 2.900 | (78.54)/ 3.092 | (76.70)/ 3.020 |
| 62 | (76.20)/ 3.000 | (81.08)/ 3.192 | (79.24)/ 3.120 |
| 64 | (78.74)/ 3.100 | (83.62)/ 3.292 | (81.78)/ 3.220 |
| 66 | (81.28)/ 3.200 | (86.16)/ 3.392 | (84.32)/ 3.320 |
| 68 | (83.82)/ 3.300 | (88.70)/ 3.492 | (86.86)/ 3.420 |



SECTION K-K

- NOTES :
- MATERIAL:-
 - PIN:- (0.65)/.0255 SQ. BRASS WIRE.
 - HOUSING:- 15% GLASS FILLED POLYESTER
 - UL 94 V-0 COLOUR BLACK
 - FOR PLATING VERSIONS AND VOID VERSIONS SEE SHEET 2.
 - MEASUREMENT POINT FOR MINIMUM PLATING THICKNESS.
 - FOR PRODUCT SPEC SEE PS-99020-0001
 - RECOMMENDED PCB THICKNESS: 1.60mm

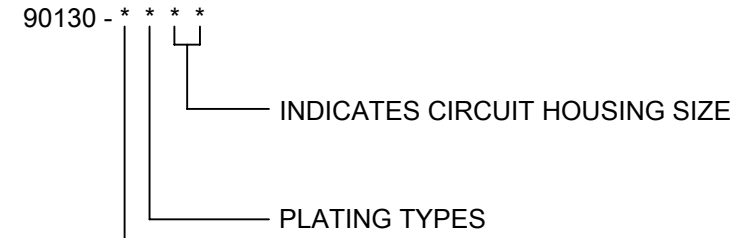
THIS DRAWING CONTAINS INFORMATION THAT IS PROPRIETARY TO MOLEX ELECTRONIC TECHNOLOGIES, LLC AND SHOULD NOT BE USED WITHOUT WRITTEN PERMISSION

| | | | | | |
|--|------------------------|---|-----------------|-----------------|--|
| DIMENSION UNITS MM/IN | SCALE NTS | CURRENT REV DESC: REMOVED OBSOLETE PART NUMBER AS PER PCN#512063. | molex | | |
| GENERAL TOLERANCES (UNLESS SPECIFIED) | | EC NO: 713759 | | | |
| 4 PLACES ± | ± | DRWN: SANTHN | 2022/09/13 | | |
| 3 PLACES ± | ± 0.004 | CHK'D: GB | 2022/10/07 | | |
| 2 PLACES ± | 0.1 ± | APPR: GB | 2022/10/07 | | |
| 1 PLACE ± | ± | INITIAL REVISION: | DOCUMENT NUMBER | | |
| 0 PLACES ± | ± | DRWN: KS | SDA-90130 | | |
| ANGULAR TOL ± 0.5° | | APPR: MLONG | DOC TYPE | DOC PART | |
| DRAFT WHERE APPLICABLE MUST REMAIN WITHIN DIMENSIONS | THIRD ANGLE PROJECTION | DRAWING | SERIES | MATERIAL NUMBER | |
| | | A3-SIZE | 90130 | CUSTOMER | |
| | | | | SEE TABLE | |
| | | | | GENERAL MARKET | |
| | | | | SHEET NUMBER | |
| | | | | 3 OF 6 | |

| VERSION FULLY LOADED | | | | | |
|----------------------|--------------|----------------|----------------|----------------|----------------|
| NO OF CKTS | HSG CKT SIZE | PART NUMBER | | | |
| | | PLATING TYPE A | PLATING TYPE E | PLATING TYPE F | PLATING TYPE G |
| 6 | 6 | 90130-X106 | 90130-X206 | 90130-X306 | 90130-X406 |
| 8 | 8 | 90130-X108 | 90130-X208 | 90130-X308 | 90130-X408 |
| 10 | 10 | 90130-X110 | 90130-X210 | 90130-X310 | 90130-X410 |
| 12 | 12 | 90130-X112 | 90130-X212 | 90130-X312 | 90130-X412 |
| 14 | 14 | 90130-X114 | 90130-X214 | 90130-X314 | 90130-X414 |
| 16 | 16 | 90130-X116 | 90130-X216 | 90130-X316 | 90130-X416 |
| 18 | 18 | 90130-X118 | 90130-X218 | 90130-X318 | 90130-X418 |
| 20 | 20 | 90130-X120 | 90130-X220 | 90130-X320 | 90130-X420 |
| 22 | 22 | 90130-X122 | 90130-X222 | 90130-X322 | 90130-X422 |
| 24 | 24 | 90130-X124 | 90130-X224 | 90130-X324 | 90130-X424 |
| 26 | 26 | 90130-X126 | 90130-X226 | 90130-X326 | 90130-X426 |
| 28 | 28 | 90130-X128 | 90130-X228 | 90130-X328 | 90130-X428 |
| 30 | 30 | 90130-X130 | 90130-X230 | 90130-X330 | 90130-X430 |
| 32 | 32 | 90130-X132 | 90130-X232 | 90130-X332 | 90130-X432 |
| 34 | 34 | 90130-X134 | 90130-X234 | 90130-X334 | 90130-X434 |
| 36 | 36 | 90130-X136 | 90130-X236 | 90130-X336 | 90130-X436 |
| 38 | 38 | 90130-X138 | 90130-X238 | 90130-X338 | 90130-X438 |
| 40 | 40 | 90130-X140 | 90130-X240 | 90130-X340 | 90130-X440 |
| 42 | 42 | 90130-X142 | 90130-X242 | 90130-X342 | 90130-X442 |
| 44 | 44 | 90130-X144 | 90130-X244 | 90130-X344 | 90130-X444 |
| 46 | 46 | 90130-X146 | 90130-X246 | 90130-X346 | 90130-X446 |
| 48 | 48 | 90130-X148 | 90130-X248 | 90130-X348 | 90130-X448 |
| 50 | 50 | 90130-X150 | 90130-X250 | 90130-X350 | 90130-X450 |
| 52 | 52 | 90130-X152 | 90130-X252 | 90130-X352 | 90130-X452 |
| 54 | 54 | - | 90130-X254 | 90130-X354 | 90130-X454 |
| 56 | 56 | 90130-X156 | 90130-X256 | 90130-X356 | 90130-X456 |
| 58 | 58 | 90130-X158 | 90130-X258 | 90130-X358 | 90130-X458 |
| 60 | 60 | - | - | - | 90130-X460 |
| 62 | 62 | 90130-X162 | 90130-X262 | 90130-X362 | 90130-X462 |
| 64 | 64 | - | - | - | 90130-X464 |
| 66 | 66 | 90130-X166 | 90130-X266 | 90130-X366 | 90130-X466 |
| 68 | 68 | - | - | - | 90130-X468 |

NOTES :

- 1. FOR ASSEMBLY, SEE SHEET 1.
- 2. REFER TO LEGEND FOR PLATING OPTIONS.

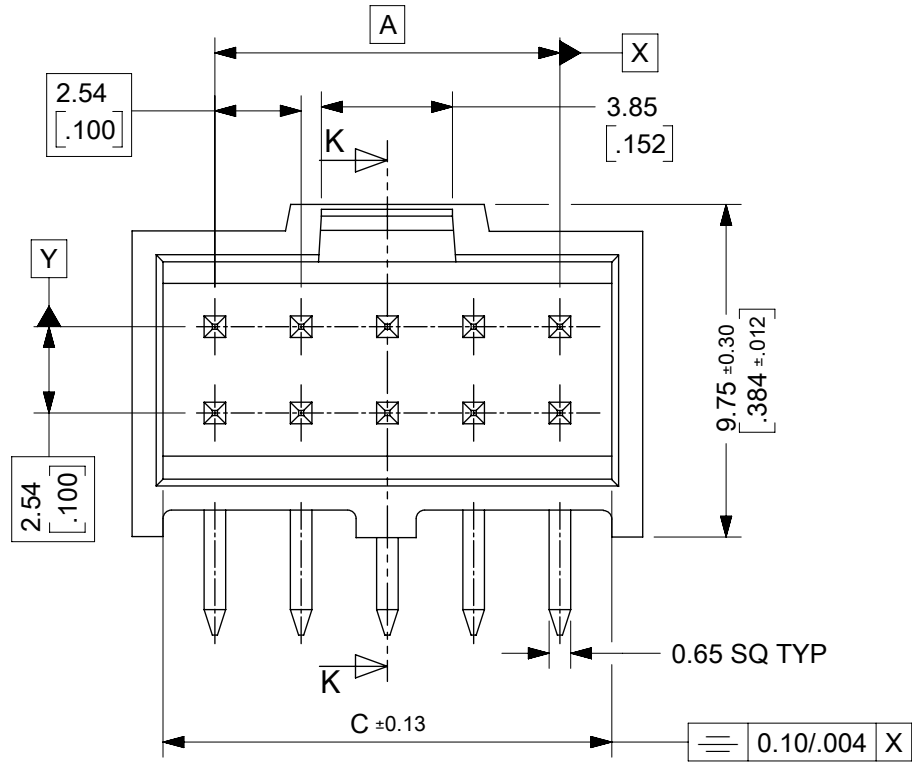


STYLE: - 3. RIGHT ANGLE VERSION

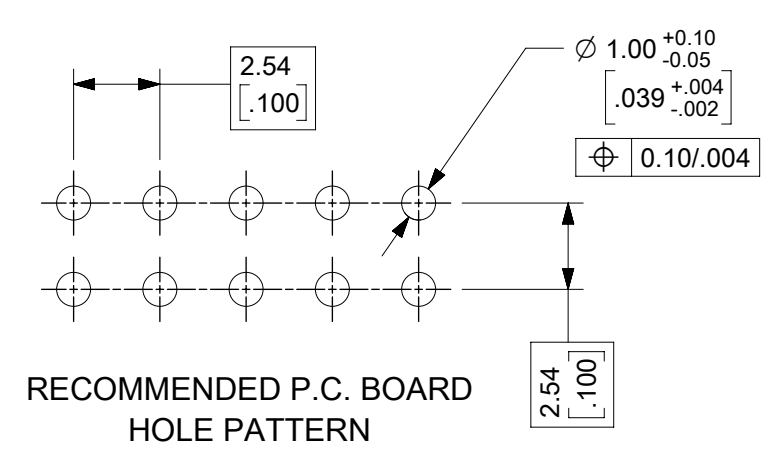
- 1 - TYPE A:
3.0µm MIN. TIN OVER 1.27µm - 2.54µm NICKEL.
- 2 - TYPE E:
0.38µm MIN. GOLD IN SELECTED AREA & 3.0µm MIN. TIN IN SELECTED AREA OVER 1.3µm MIN. NICKEL OVERALL.
- 3 - TYPE F:
0.76µm MIN. GOLD IN SELECTED AREA. & 3.0µm MIN. TIN IN SELECTED AREA OVER 1.3µm MIN. NICKEL OVERALL.
- 4 - TYPE G:
0.05 - 0.10µm GOLD FLASH IN SELECTED AREA & 3.0µm MIN. TIN IN SELECTED AREA OVER 1.3µm MIN. NICKEL OVERALL.

| | | | | | | | | | | | |
|---|--|---------------------|--|---|--|-------------------|--|-----------------|--|---|--|
| THIS DRAWING CONTAINS INFORMATION THAT IS PROPRIETARY TO MOLEX ELECTRONIC TECHNOLOGIES, LLC AND SHOULD NOT BE USED WITHOUT WRITTEN PERMISSION | | | | | | | | | | | |
| DIMENSION UNITS MM/IN | | SCALE NTS | | CURRENT REV DESC: REMOVED OBSOLETE PART NUMBER AS PER PCN#512063. | | | | molex | | C-GRID III DUAL ROW STRAIGHT SHROUDED HEADER | |
| GENERAL TOLERANCES (UNLESS SPECIFIED) | | | | | | | | | | | |
| | | MM | | INCH | | EC NO: 713759 | | 2022/09/13 | | DOCUMENT NUMBER | |
| 4 PLACES ± | | ± | | ± | | DRWN: SANTHN | | 2022/10/07 | | DOC TYPE | |
| 3 PLACES ± | | ± | | ± 0.004 | | CHK'D: GB | | 2022/10/07 | | DOC PART | |
| 2 PLACES ± | | ± 0.1 | | ± | | APPR: GB | | 2022/10/07 | | REVISION | |
| 1 PLACE ± | | ± | | ± | | INITIAL REVISION: | | 1988/08/23 | | SDA-90130 | |
| 0 PLACES ± | | ± | | ± | | DRWN: KS | | 2010/02/19 | | PSD 001 CA6 | |
| ANGULAR TOL ± 0.5° | | ± | | ± | | APPR: MLONG | | 2010/02/19 | | SERIES | |
| DRAFT WHERE APPLICABLE MUST REMAIN WITHIN DIMENSIONS | | | | THIRD ANGLE PROJECTION | | DRAWING | | MATERIAL NUMBER | | CUSTOMER | |
| | | | | | | A3-SIZE | | 90130 | | SEE TABLE | |
| | | | | | | | | GENERAL MARKET | | SHEET NUMBER | |
| | | | | | | | | | | 4 OF 6 | |

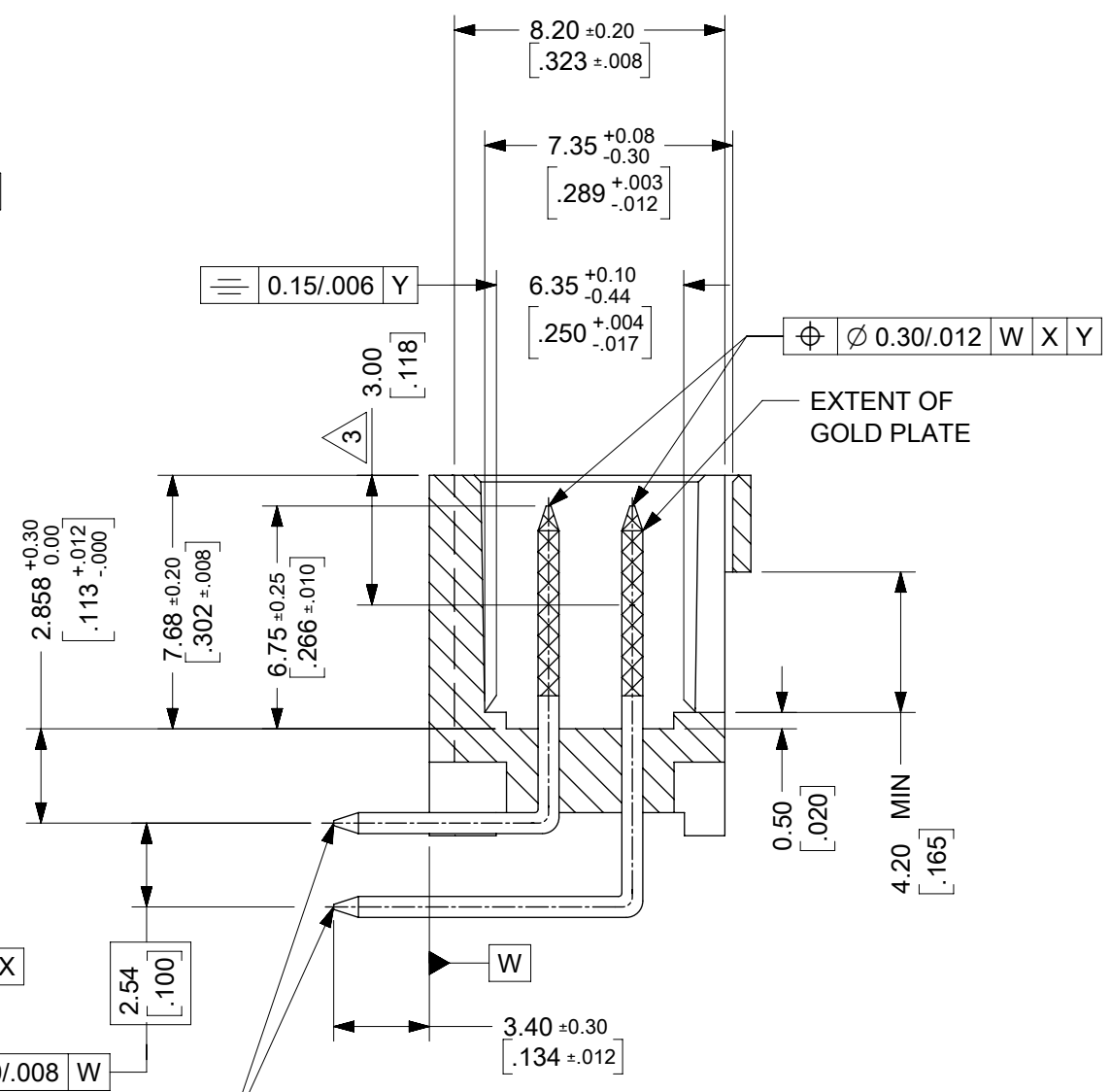
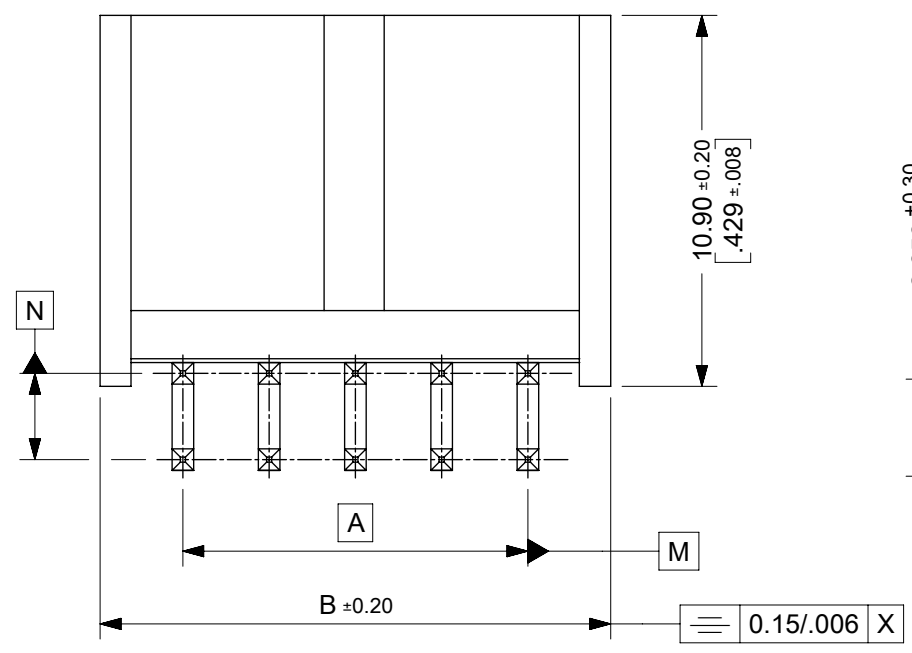
| CKT | DIM A | DIM B | DIM C |
|-----|----------------|----------------|----------------|
| 30 | (35.56)/ 1.400 | (40.44)/ 1.592 | (38.60)/ 1.520 |



VERSION FULLY LOADED



RECOMMENDED P.C. BOARD HOLE PATTERN



SECTION K-K

NOTES :

- MATERIAL:-
 - PIN:- (0.65)/.0255 SQ. BRASS WIRE.
 - HOUSING:- 15% GLASS FILLED POLYESTER
 - UL 94 V-0 COLOUR BLACK
- FOR PLATING VERSIONS AND VOID VERSIONS SEE SHEET 2.
- MEASUREMENT POINT FOR MINIMUM PLATING THICKNESS.
- FOR PRODUCT SPEC SEE PS-99020-0001
- RECOMMENDED PCB THICKNESS: 2.4mm

THIS DRAWING CONTAINS INFORMATION THAT IS PROPRIETARY TO MOLEX ELECTRONIC TECHNOLOGIES, LLC AND SHOULD NOT BE USED WITHOUT WRITTEN PERMISSION

| | | | |
|--|---------------------|---|-----------------|
| DIMENSION UNITS MM/IN | SCALE NTS | CURRENT REV DESC: REMOVED OBSOLETE PART NUMBER AS PER PCN#512063. | |
| GENERAL TOLERANCES (UNLESS SPECIFIED) | | <p>molex</p> <p>C-GRID III DUAL ROW STRAIGHT SHROUDED HEADER</p> <p>PRODUCT CUSTOMER DRAWING</p> | |
| | MM INCH | | |
| 4 PLACES ± | ± | | |
| 3 PLACES ± | ± 0.004 | | |
| 2 PLACES ± | ± 0.1 | | |
| 1 PLACE ± | ± | EC NO: 713759 | 2022/09/13 |
| 0 PLACES ± | ± | DRWN: SANTHN | 2022/10/07 |
| ANGULAR TOL ± 0.5° | | CHK'D: GB | 2022/10/07 |
| DRAFT WHERE APPLICABLE MUST REMAIN WITHIN DIMENSIONS | | APPR: MLONG | 2022/10/07 |
| THIRD ANGLE PROJECTION | | INITIAL REVISION: | DOCUMENT NUMBER |
| DRAWING | | DRWN: KS | SDA-90130 |
| SERIES | | APPR: MLONG | DOC TYPE |
| A3-SIZE | | 1988/08/23 | PSD |
| 90130 | | 2010/02/19 | 001 |
| MATERIAL NUMBER | | GENERAL MARKET | REVISION |
| SEE TABLE | | GENERAL MARKET | CA6 |
| CUSTOMER | | SHEET NUMBER | |
| GENERAL MARKET | | 5 OF 6 | |

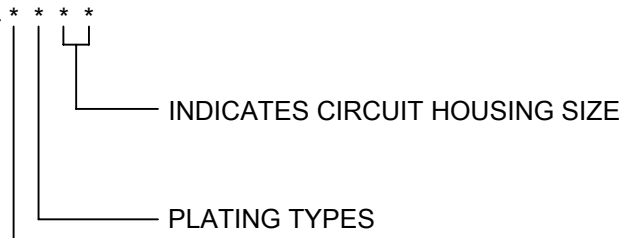
| | | | | |
|-----------------|----|--------------|------------|----------|
| DOCUMENT STATUS | P1 | RELEASE DATE | 2022/10/07 | 06:42:03 |
|-----------------|----|--------------|------------|----------|

| VERSION FULLY LOADED | | | | | |
|----------------------|--------------|----------------|----------------|----------------|----------------|
| NO OF CKTS | HSG CKT SIZE | PART NUMBER | | | |
| | | PLATING TYPE A | PLATING TYPE E | PLATING TYPE F | PLATING TYPE G |
| 30 | 30 | 90130-X130 | - | - | - |

NOTES :

1. FOR ASSEMBLY, SEE SHEET 1.
2. REFER TO LEGEND FOR PLATING OPTIONS.

90130 - * * *



STYLE: 9 - RIGHT ANGLE VERSION (3.40mm)

- 1 - TYPE A:
3.0µm MIN. TIN OVER 1.27µm - 2.54µm NICKEL.
- 2 - TYPE E:
0.38µm MIN. GOLD IN SELECTED AREA
& 3.0µm MIN. TIN IN SELECTED AREA
OVER 1.3µm MIN. NICKEL OVERALL.
- 3 - TYPE F:
0.76µm MIN. GOLD IN SELECTED AREA.
& 3.0µm MIN. TIN IN SELECTED AREA
OVER 1.3µm MIN. NICKEL OVERALL.
- 4 - TYPE G:
0.05 -0.10µm GOLD FLASH IN SELECTED AREA
& 3.0µm MIN. TIN IN SELECTED AREA
OVER 1.3µm MIN. NICKEL OVERALL.

| | | | | | | | | | | | |
|---|--|------------------------|--|---|--|------------------------|--|-----------------|--|--------------------------|--|
| THIS DRAWING CONTAINS INFORMATION THAT IS PROPRIETARY TO MOLEX ELECTRONIC TECHNOLOGIES, LLC AND SHOULD NOT BE USED WITHOUT WRITTEN PERMISSION | | | | | | | | | | | |
| DIMENSION UNITS MM/IN | | SCALE NTS | | CURRENT REV DESC: REMOVED OBSOLETE PART NUMBER AS PER PCN#512063. | | | | | | | |
| GENERAL TOLERANCES (UNLESS SPECIFIED) | | | | | | EC NO: 713759 | | | | | |
| | | MM | | INCH | | DRWN: SANTHN | | 2022/09/13 | | PRODUCT CUSTOMER DRAWING | |
| 4 PLACES ± | | ± | | ± | | CHK'D: GB | | 2022/10/07 | | DOCUMENT NUMBER | |
| 3 PLACES ± | | ± 0.1 | | ± 0.004 | | APPR: GB | | 2022/10/07 | | DOCS TYPE | |
| 2 PLACES ± | | ± | | ± | | INITIAL REVISION: | | 1988/08/23 | | DOC PART | |
| 1 PLACE ± | | ± | | ± | | DRWN: KS | | 2010/02/19 | | REVISION | |
| 0 PLACES ± | | ± | | ± | | APPR: MLONG | | SDA-90130 | | PSD 001 CA6 | |
| ANGULAR TOL ± 0.5° | | ± | | ± | | THIRD ANGLE PROJECTION | | DRAWING | | SERIES | |
| DRAFT WHERE APPLICABLE MUST REMAIN WITHIN DIMENSIONS | | THIRD ANGLE PROJECTION | | DRAWING | | SERIES | | MATERIAL NUMBER | | CUSTOMER | |
| | | A3-SIZE | | 90130 | | SEE TABLE | | GENERAL MARKET | | SHEET NUMBER | |
| | | 6 OF 6 | | | | | | | | | |