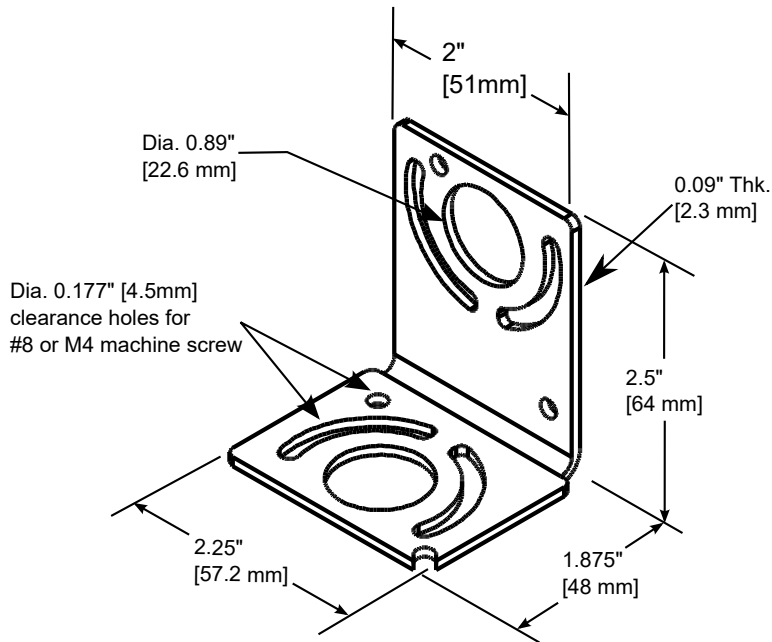


T1/T3 Tilt Switch Universal L-Bracket - P/N: 1608

Product Sheet



T1 Unidirectional Tilt Switch Application Notes

T3 Omnidirectional Tilt Switch Application Notes

For complex mounting scenarios use universal brackets. * Two brackets can be used to achieve rotation in 3 axes, to nearly any compound angle.

- T1 - Tilt switch should be mounted using:
1. Spring (Hose) Clip
 2. Weather-Proof Double Sided Tape

