



PUIaudio



Data Sheet

AI-2604-TF-12V-R

Features:

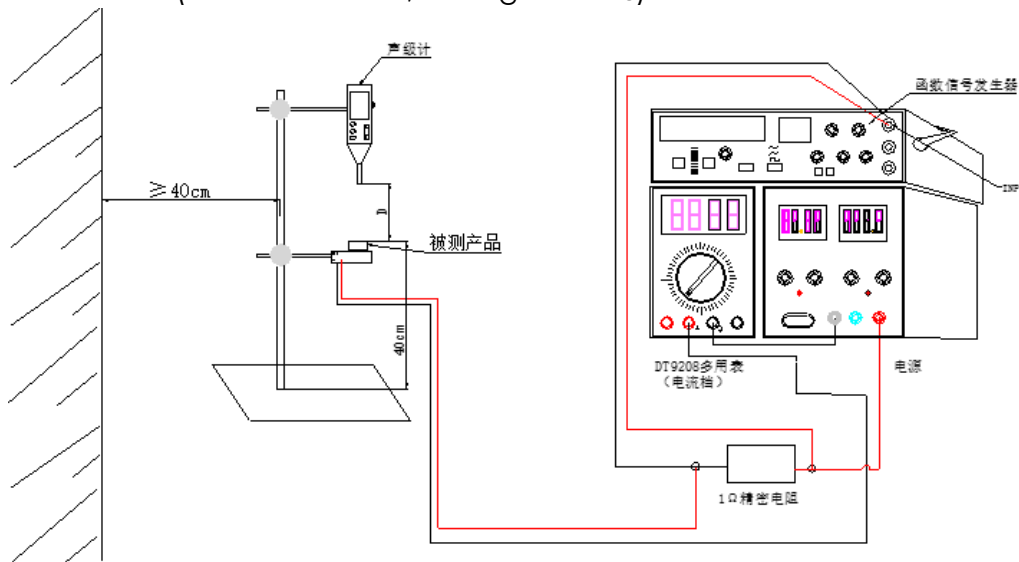
- Top-firing, flange-mount mechanical buzzer
- 12V_{DC}, 400 Hz resonant frequency

Specifications

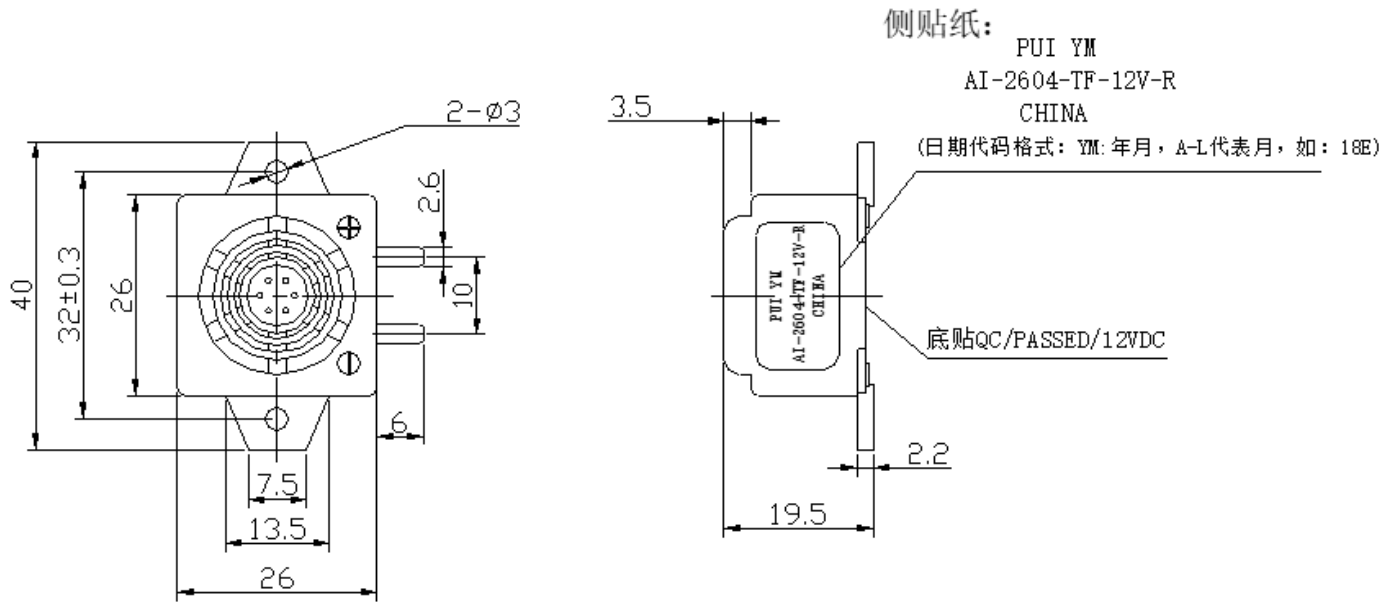
Parameters	Values	Units
Rated Voltage	12	V _{DC}
Operating Voltage Range	8 ~ 16	V _{DC}
Current Draw at Rated Voltage	55 Max.	mA
Minimum SPL @ 10cm	95	dBA
Resonant Frequency	400 ± 100	Hz
Tone or Pulse Rate	Continuous	-
Housing Material	ABS (Yellow)	-
Terminal Material	Sn plated Brass	-
Weight	17	Grams
Environmental Compliances	RoHS/REACH	-
Storage Temperature	-30 ~ +70	°C
Operating Temperature	-20 ~ +60	°C

Measurement Method (Temperature: 25±3°C; Relative Humidity: 60% ~ 70%)

Standard test fixture (Distance: 10cm, Voltage: 12V_{DC})

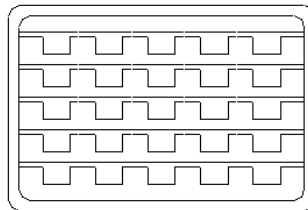


Dimensions

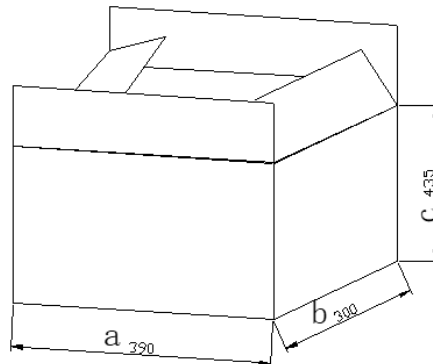


***Wave Solder and Wash not allowed.**

Packaging



25PCS/box 每盒放25只
 泡沫盒尺寸: 292*190*46mm



500PCS/CTN 每箱放500只
 纸箱尺寸: 390*300*435mm

Specifications Revisions

Revision	Description	Date
A	Released from Engineering	11/28/2007

Note:

- 1. Unless otherwise specified:
 - A. All dimensions are in millimeters.
 - B. Default tolerances are $\pm 0.5\text{mm}$ and angles are $\pm 3^\circ$.
- 2. Specifications subject to change or withdrawal without notice.