

Type BLC-09 Fuse Block ANE / ANF Limiter Fuses



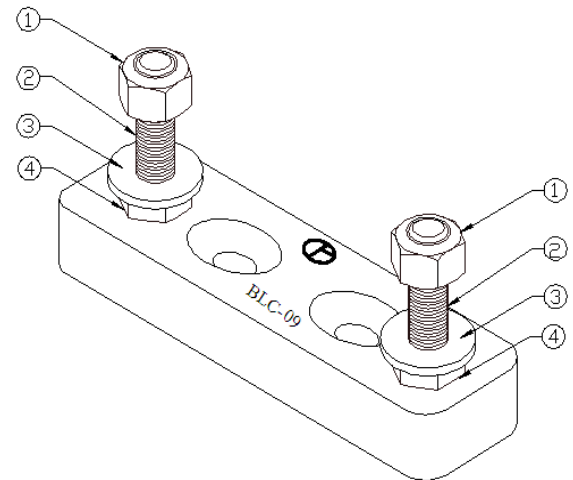
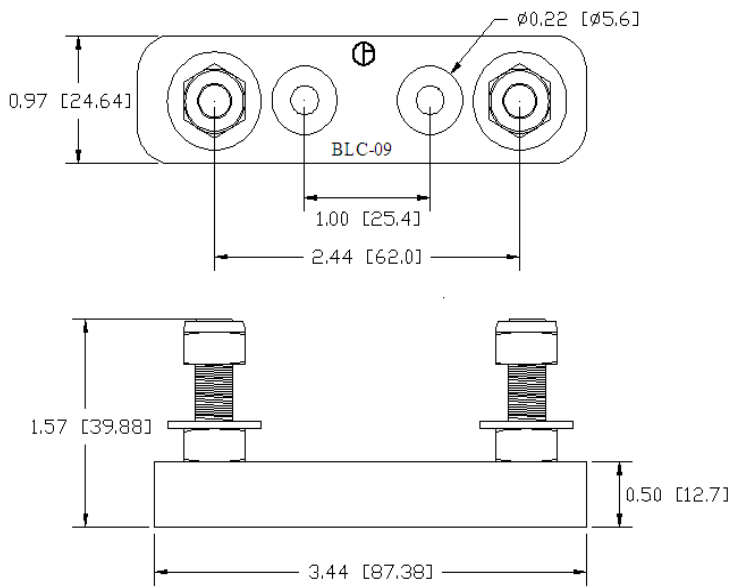
www.optifuse.com (619) 593-5050

Specifications:

- Voltage Rating:** 125VAC
- Max Current Rating:** 800A
- Fuse Type:** ANE / ANF Limiter Fuse
- Base:** Polyester Impact/Electrical -01528 Grey with Mineral and Glass Fiber Added.
- ULR Certification number** E40654
- Terminals:** Low Carbon Steel, Zinc Finish

Hardware Specifications		
Item	Qty	Description
1	2	Nut, Nylock 5/16-24UNF
2	2	Bolt, hex cap, 5/16-24 UNF x 1.25
3	2	Washer, 5/16 SAE
4	2	Nut, Hex, Normal, 5/16-24UNF

Mechanical Dimensions: Inches [mm]



	Warning: -Operation beyond the specified maximum ratings or improper use may result in damage and possible electrical arcing and/or flame.
	-Avoid contact of device with chemical solvent. Prolonged contact may damage the device performance.