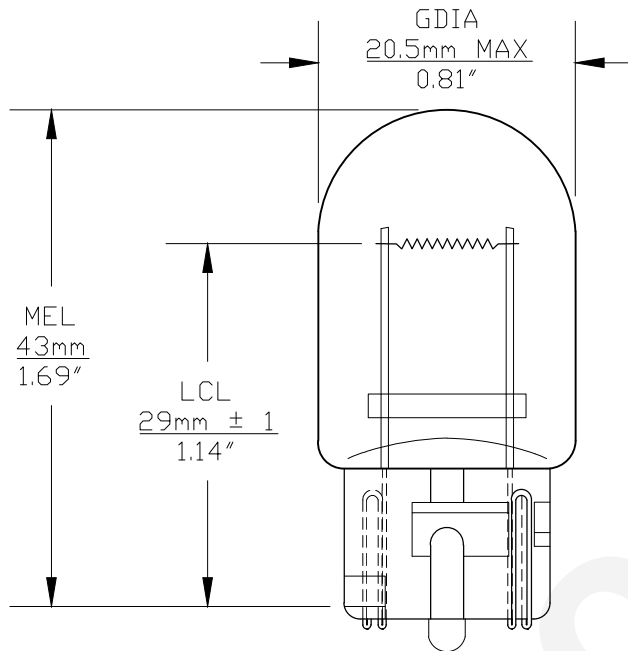
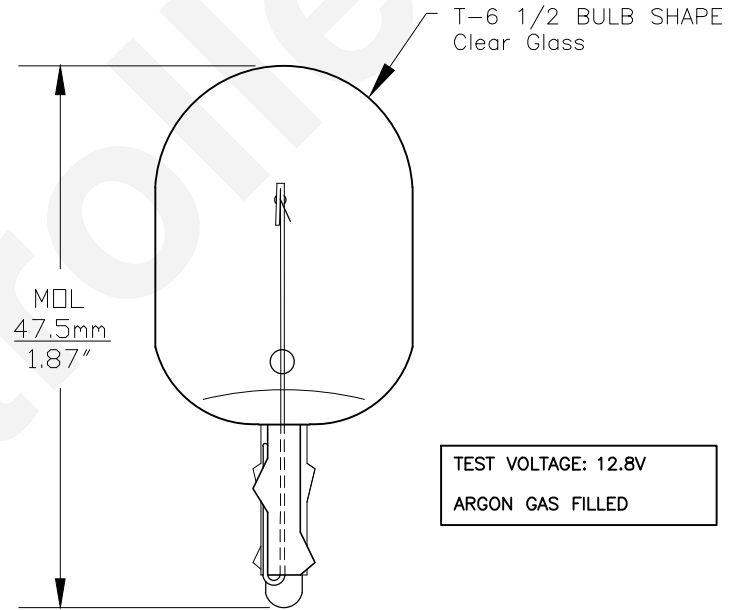




PART NO.	BASE TYPE	DESIGN VOLTS	DESIGN AMPS	MSCD	FILAMENT TYPE	AVERAGE LIFE HOURS	REVISIONS			
							REV #	DESCRIPTION	DATE	APPROVED
7441	Glass Wedge W3X16d (T-6 1/2)	12.8V	2.1±0.21	32.0±15%	C-6	1200	1	ISSUED	06/22/2009	D.C.
							2	ADDITIONAL VIEWS	06/26/2014	R.M.

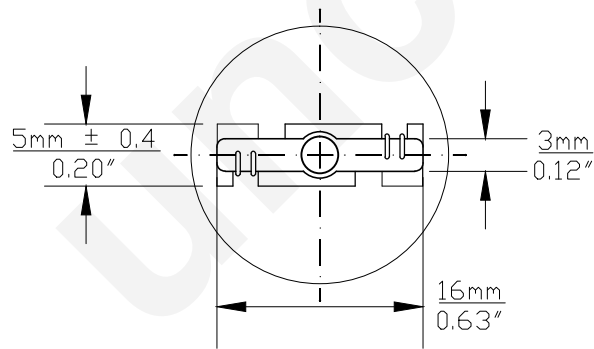


0° VIEW



90° VIEW

TEST VOLTAGE: 12.8V
ARGON GAS FILLED



BASE BOTTOM VIEW

Note: Made according to SAE specifications



UNLESS OTHERWISE SPECIFIED: DIMENSIONS ARE IN INCHES TOLERANCES		CEC INDUSTRIES LTD			
DECIMALS .XX ± .05		ANGULAR ± 0.5°		599 BOND STREET LINCOLNSHIRE, IL 60069	
.XXX ± .010		FRACTIONAL ± 1/64		TITLE LIGHT BULB NO. 7441	
DRAWN DENNIS C.	DATE 06/22/2009	SIZE A	FSCM NO.	DWG NO. 7441	REV 2
CHECKED		SCALE	PLOT SCALE	SHEET 1 OF 1	
DESIGN		FILE 7441.pdf	DRAWING NOT TO SCALE		