

NOTES:

1. MATERIAL:

CAGE ASSEMBLY: NICKEL SILVER, 0.25mm THICK
 THERMAL ASSEMBLY: ALUMINUM/COPPER ALLOY
 EMI STRAPS: PHOS-BRONZE
 LIGHT PIPES: POLYCARBONATE (OPTIONAL)
 CONNECTOR HOUSING: HIGH TEMPERATURE THERMOPLASTIC
 TERMINALS: COPPER ALLOY

2. FINISH:

CAGE ASSEMBLY: UNPLATED
 THERMAL ASSEMBLY: NICKEL PLATE
 EMI STRAPS: 0.5 um NICKEL OVERALL
 TERMINALS: CONTACT AREA: 0.76 um Min. HARD GOLD OVER NICKEL UNDERPLATE.
 COMPLIANT TAIL: 0.7-1.5 um MATTE TIN OVER NICKEL UNDERPLATE.

3. REFER TO PK-171233-0001 FOR ALL PACKAGING SPECIFICATIONS.

4. REFER TO ROUTING INFORMATION ON AS-171233-0002.

5. REFER TO PS-171565-0001 FOR ALL ELECTRICAL, MECHANICAL, ENVIRONMENTAL SPECIFICATIONS.

6. ALL VISIBLE CAGE EXTERIOR SURFACES TO BE CLASS "B", EXCEPT FOR THE UNDERSIDE OF THE CAGE AND SHOULD CONFORM TO THE MOLEX COSMETIC STANDARD ES-171233-0001. ALL REMAINING SURFACES TO BE CLASS C EXCEPT FOR THE FRONT OF THE MIDSECTION EMI SPRING FINGERS WHICH ARE A CLASS A SURFACE. SEE THE HEAT SINK SECTION FOR ITS CORRESPONDING REQUIREMENTS.

7. CONNECTOR MATES WITH PLUG CABLE SERIES 74757 AND 74758

8. DATE CODE LOCATION. DATE CODE FORMAT: LDDDYX

L: MOLEX INTERNAL CONTROL

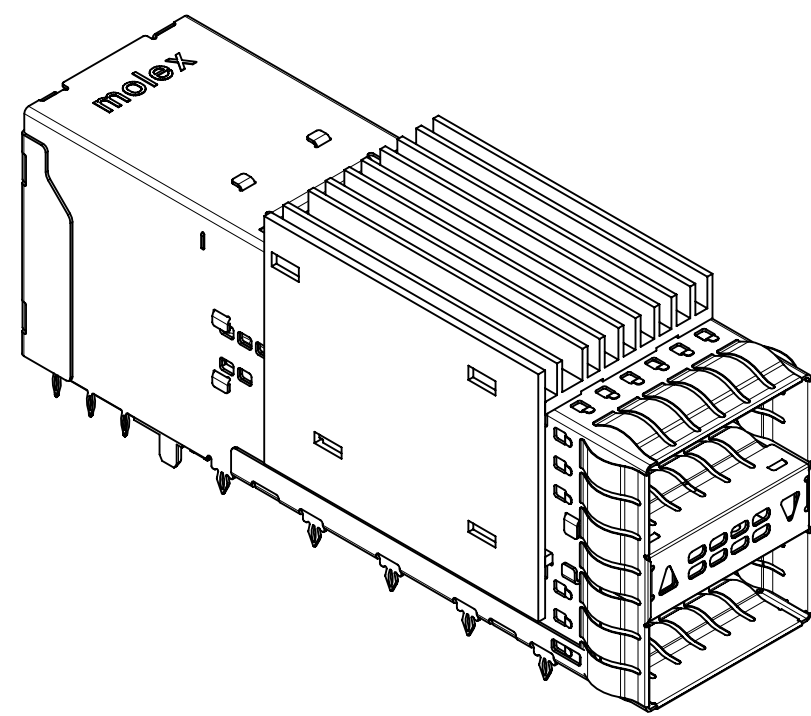
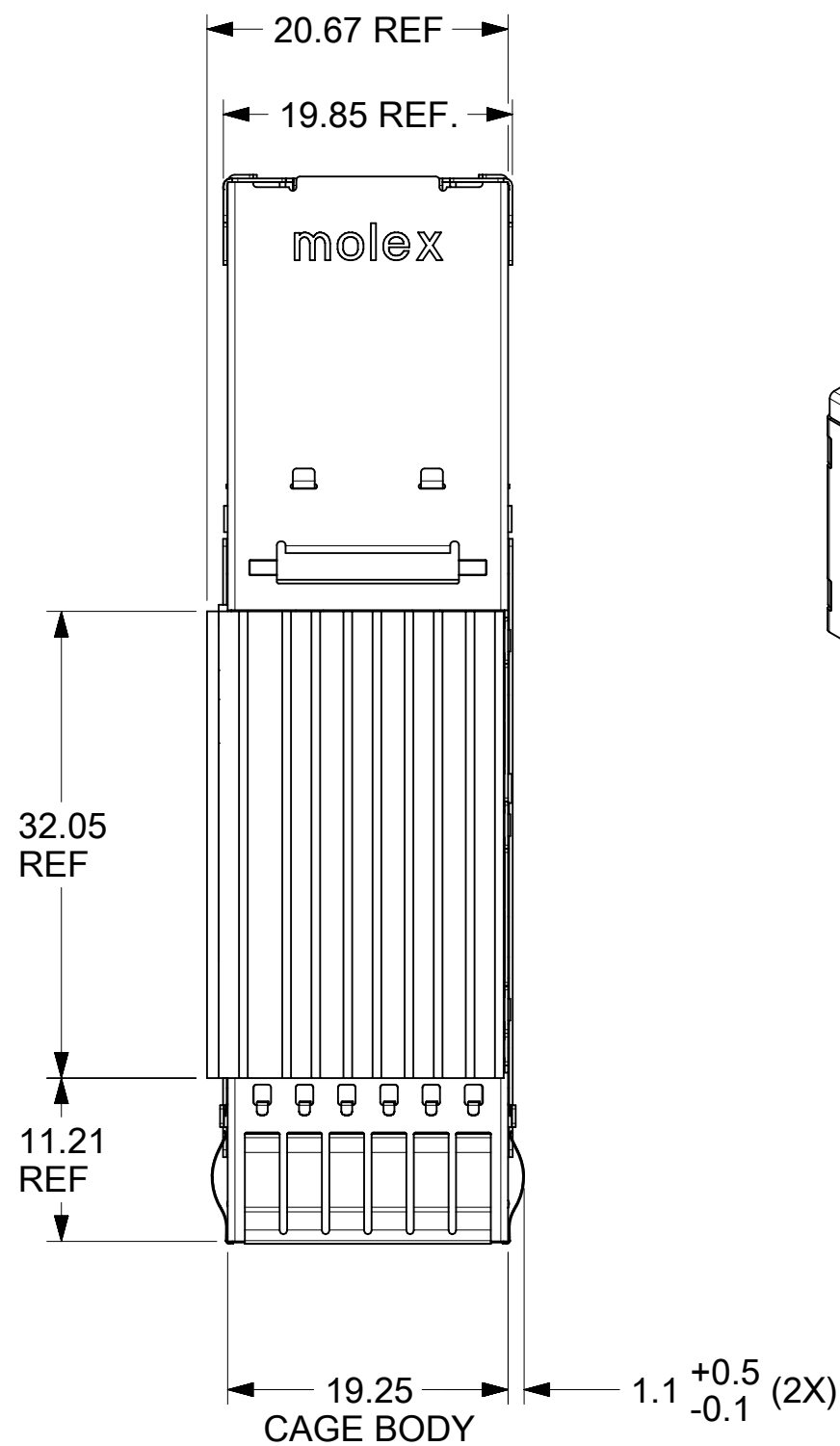
DDD: DAY OF THE YEAR

Y: LAST DIGIT OF YEAR

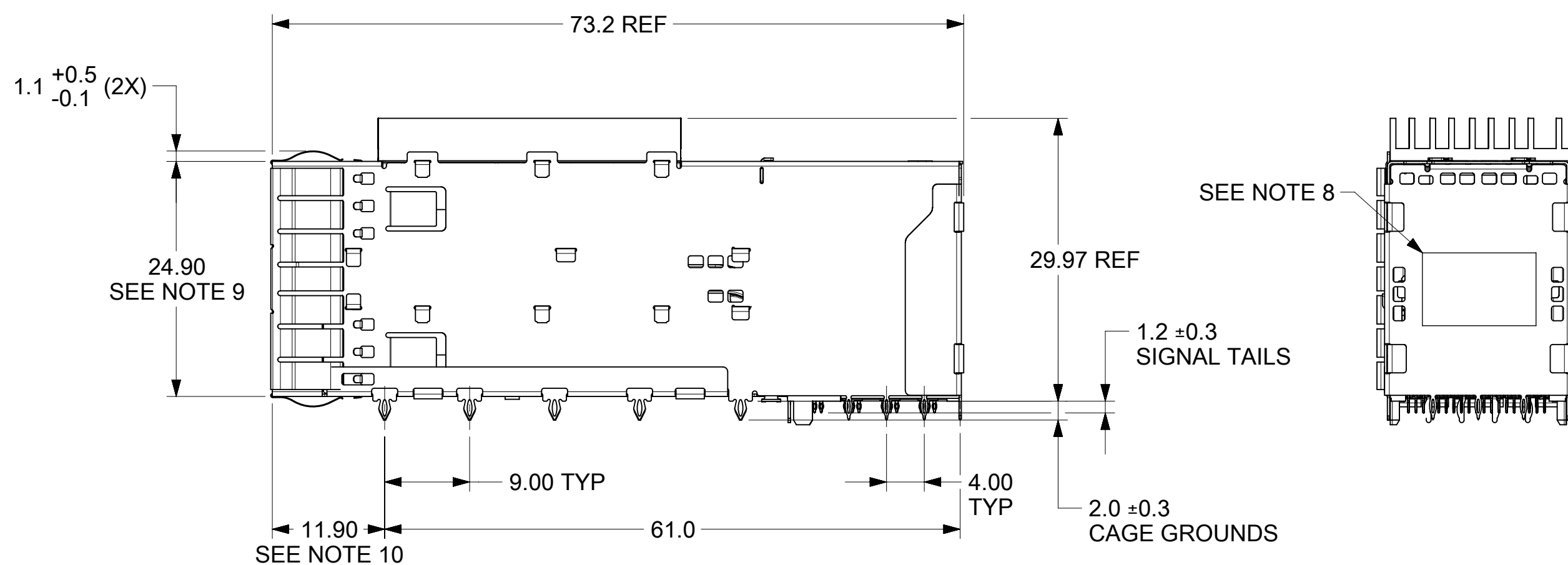
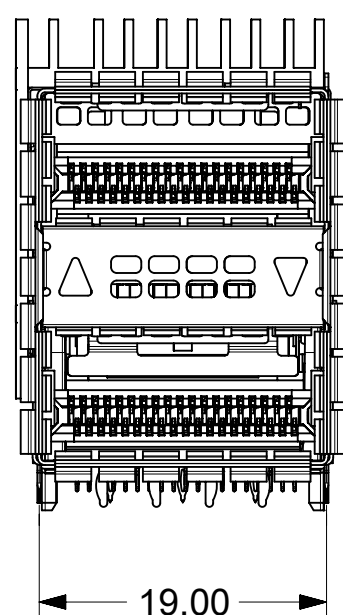
X: MOLEX INTERNAL CONTROL

9. MEASURED FROM THE TOP OF THE TOP COVER TO THE BOTTOM OF THE CAGE BASE.

10. MEASURED FROM FRONT OF TOP COVER.



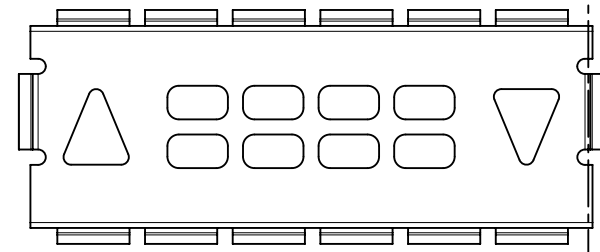
SHOWN WITH EMI GASKET



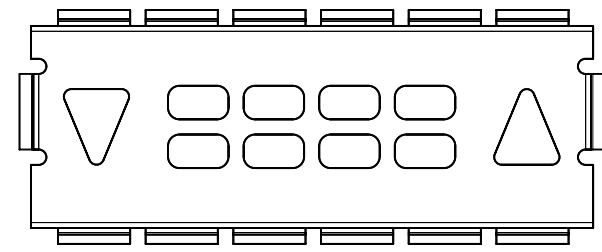
THIS DRAWING CONTAINS INFORMATION THAT IS PROPRIETARY TO MOLEX ELECTRONIC TECHNOLOGIES, LLC AND SHOULD NOT BE USED WITHOUT WRITTEN PERMISSION

DIMENSION UNITS		SCALE		CURRENT REV DESC: OBSOLETE PART NUMBER AS PER #508521							
MM		2:1									
GENERAL TOLERANCES (UNLESS SPECIFIED)						EC NO: 667392 DRWN: ABHISP1 2021/04/29 CHK'D: GGA 2021/07/05 APPR: GGA 2021/07/05					
4 PLACES		±	±			PRODUCT CUSTOMER DRAWING					
3 PLACES		±	±			DOCUMENT NUMBER					
2 PLACES		±	0.13			SD-170879-4000					
1 PLACE		±	0.25			DOC TYPE DOC PART REVISION					
0 PLACES		±	±			PSD 001 A1					
INITIAL REVISION:						MATERIAL NUMBER					
ANGULAR TOL		±	0.5 °			CUSTOMER					
DRAFT WHERE APPLICABLE MUST REMAIN WITHIN DIMENSIONS						THIRD ANGLE PROJECTION		DRAWING		SHEET NUMBER	
						C-SIZE		170879		SEE TABLE	
						GENERAL MARKET		1 OF 5			

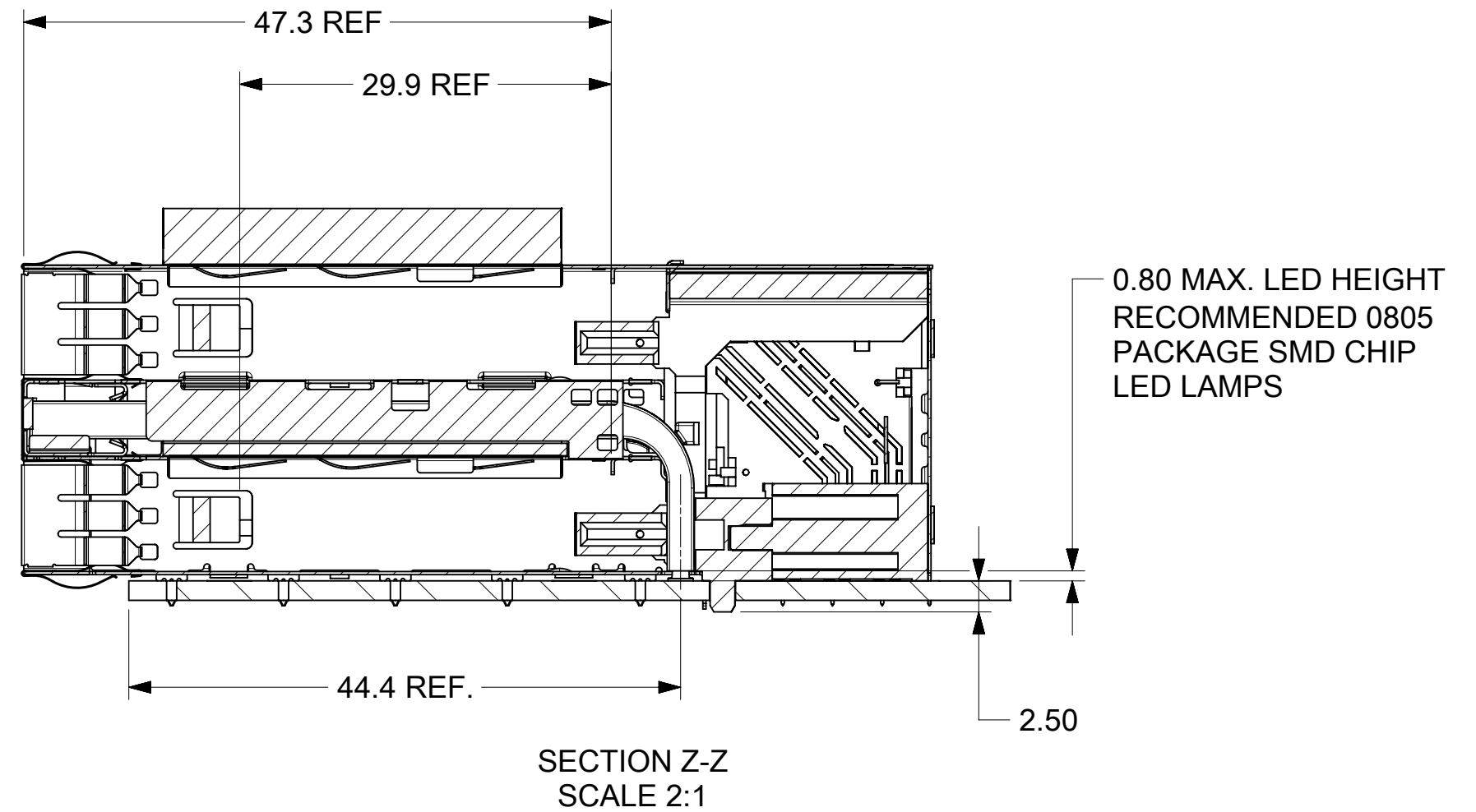
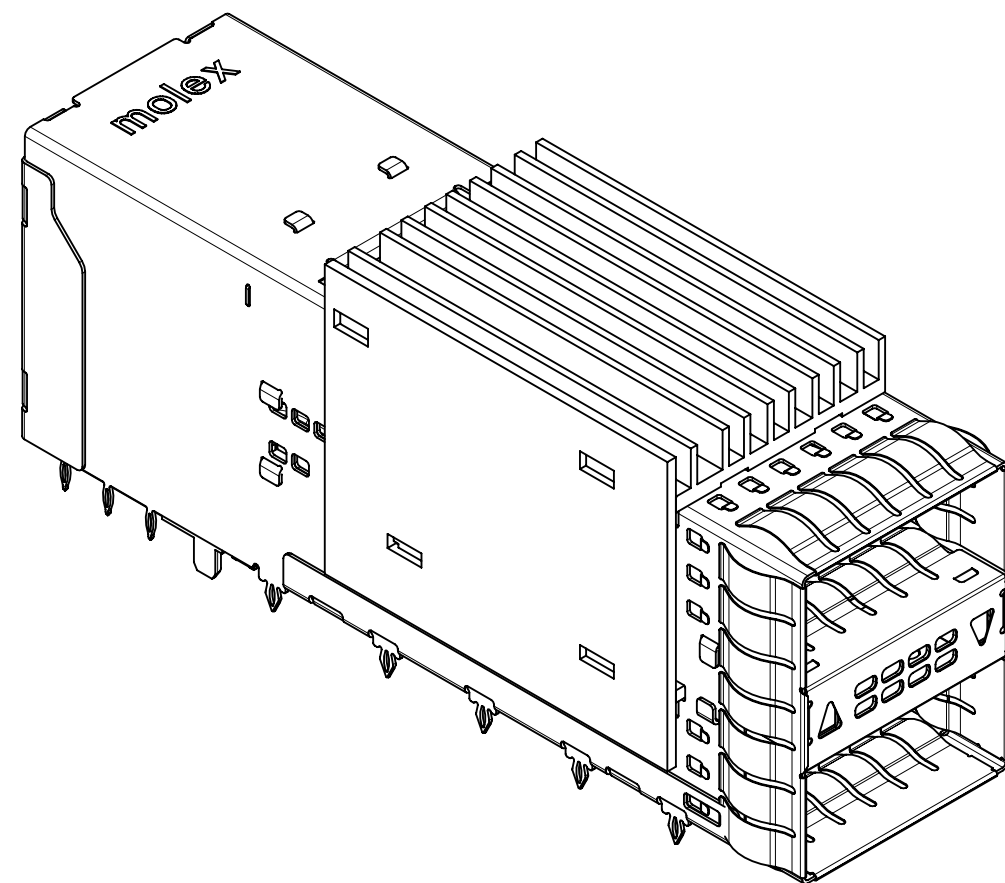
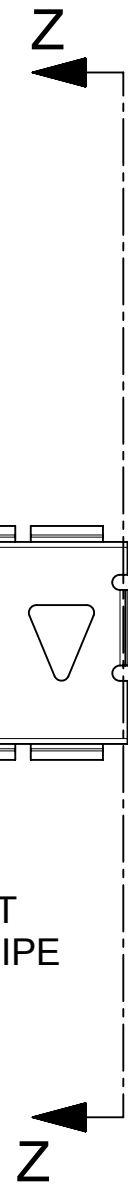
PART NUMBER	DESCRIPTION	PLATING
1708794001	LEFT UPPER PORT ARROW	TIN
1708794002	LEFT LOWER PORT ARROW	TIN



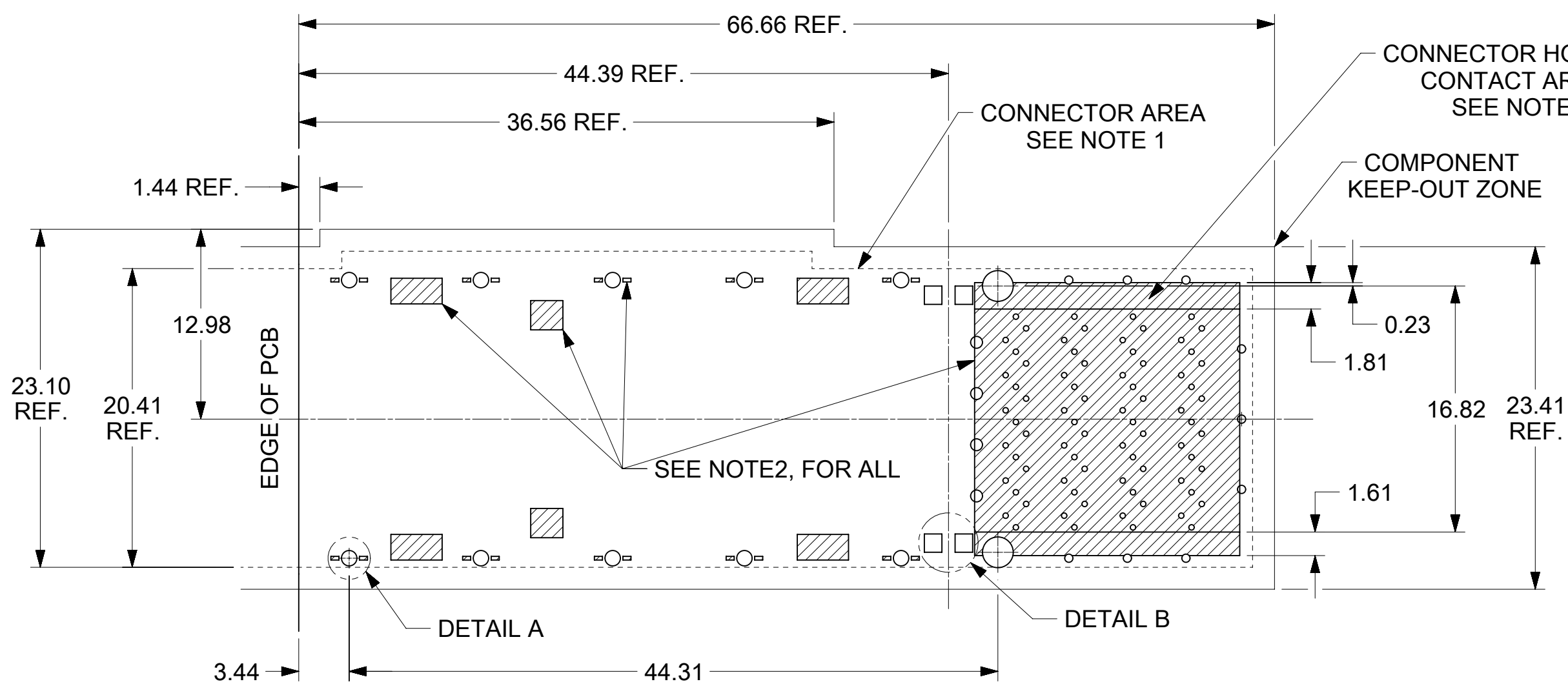
P/N: 1708794001
LEFT UPPER PORT
INDICATOR LIGHT PIPE



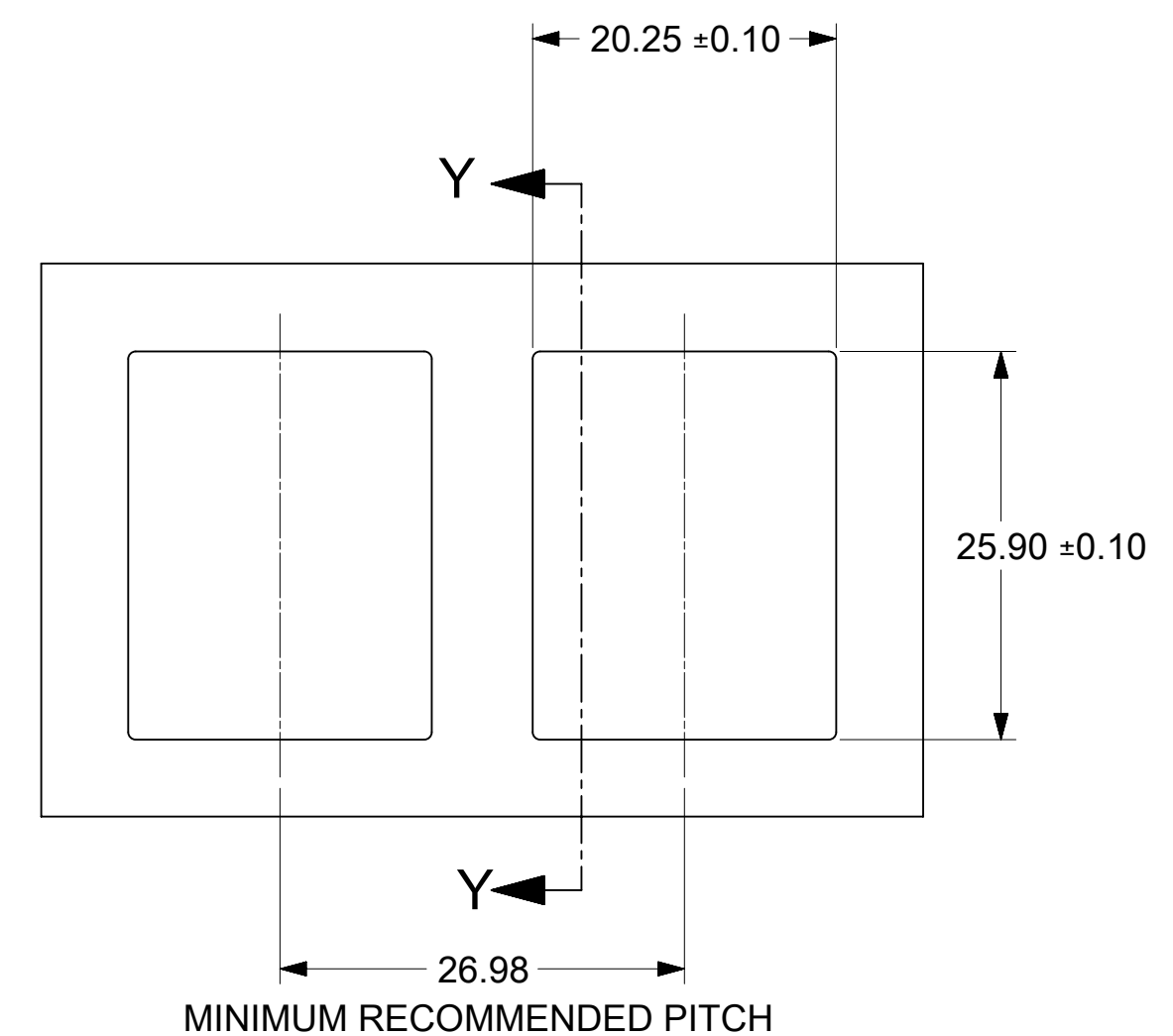
P/N: 1708794002
LEFT LOWER PORT
INDICATOR LIGHT PIPE



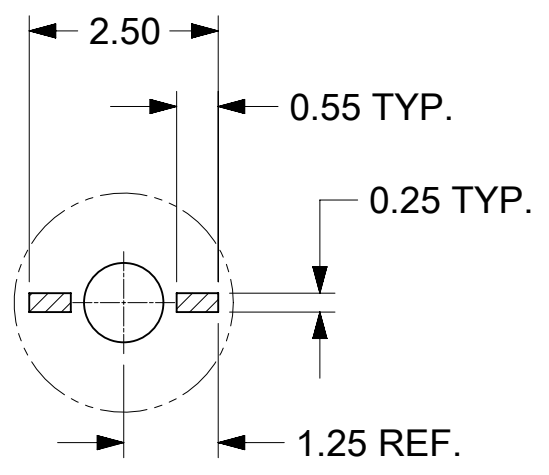
THIS DRAWING CONTAINS INFORMATION THAT IS PROPRIETARY TO MOLEX ELECTRONIC TECHNOLOGIES, LLC AND SHOULD NOT BE USED WITHOUT WRITTEN PERMISSION											
DIMENSION UNITS MM		SCALE 4:1		CURRENT REV DESC: OBSOLETE PART NUMBER AS PER #508521			molex				
GENERAL TOLERANCES (UNLESS SPECIFIED)				EC NO: 667392						ZQSFP 2X1 SPRING FINGER STANDARD LENGTH TMC LOW PROFILE ASSEMBLY	
4 PLACES ±		±		DRWN: ABHISP1			2021/04/29				
3 PLACES ±		±		CHK'D: GGA			2021/07/05				
2 PLACES ±		0.13 ±		APPR: GGA			2021/07/05				
1 PLACE ±		0.25 ±		INITIAL REVISION:			DOCUMENT NUMBER				
0 PLACES ±		±		DRWN: HAVERY			SD-170879-4000				
ANGULAR TOL ±		0.5 °		APPR: HAVERY			PSD 001 A1				
DRAFT WHERE APPLICABLE MUST REMAIN WITHIN DIMENSIONS				THIRD ANGLE PROJECTION		DRAWING C-SIZE		SERIES 170879		MATERIAL NUMBER SEE TABLE	
								CUSTOMER GENERAL MARKET		SHEET NUMBER 2 OF 5	



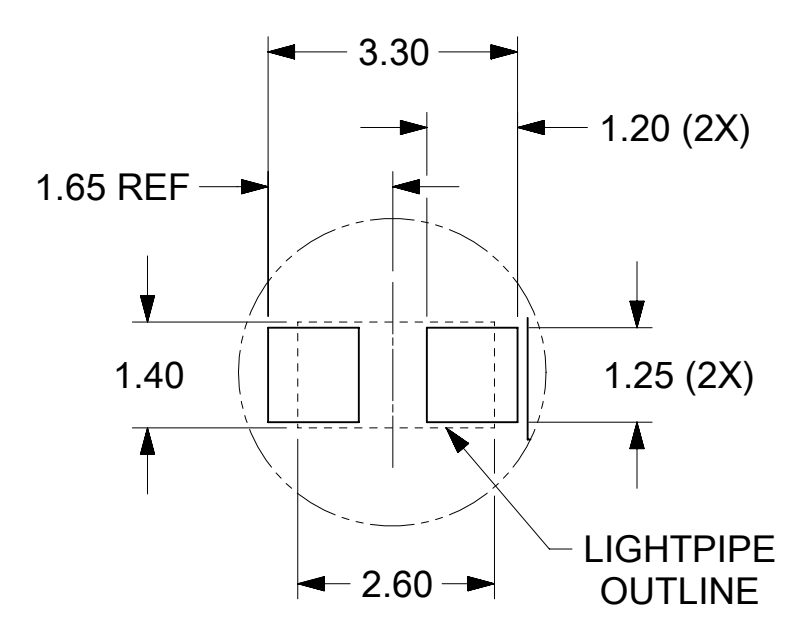
KEEP-OUT AREAS SHOWN BY CROSS HATCH COMPONENT SIDE



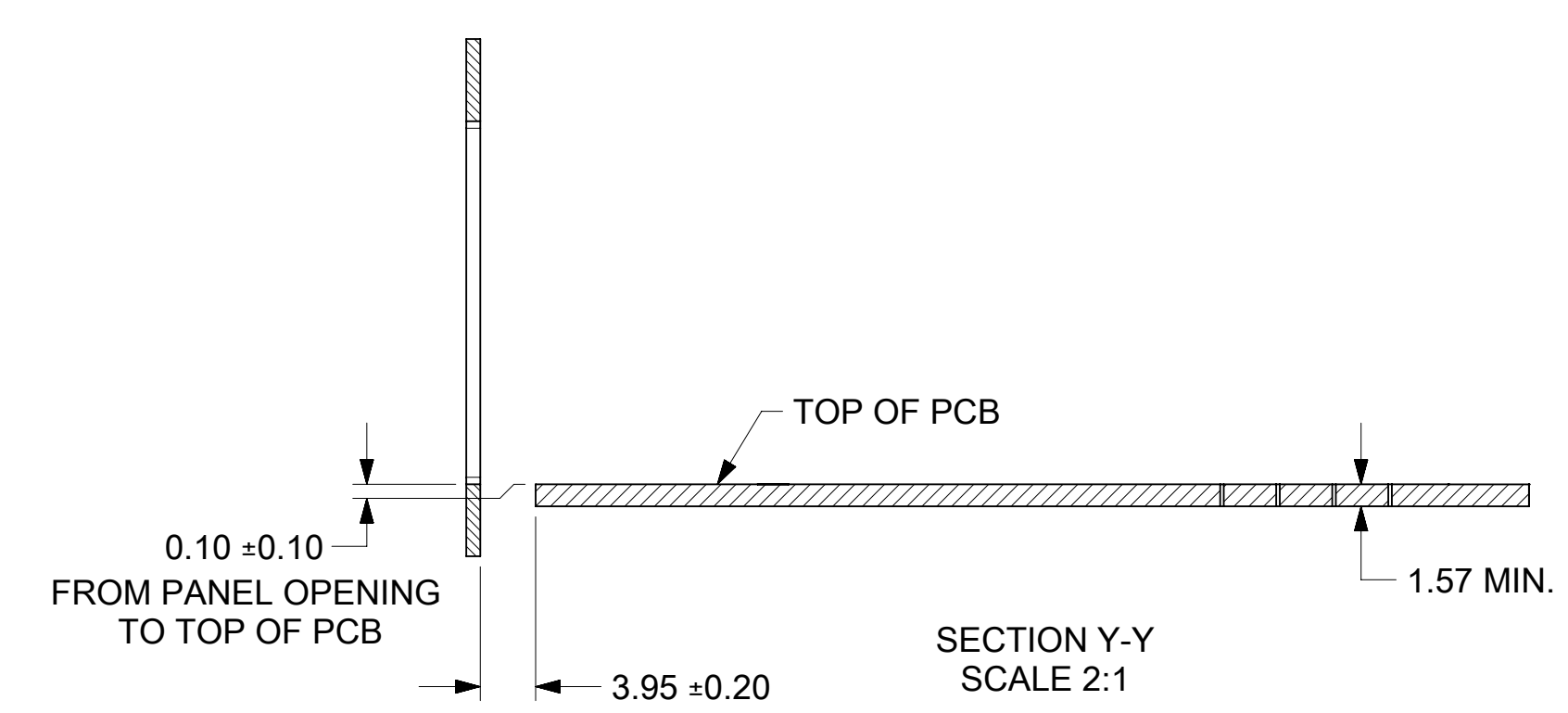
RECOMMENDED PANEL CUT-OUT SCALE 2:1



DETAIL A SCALE 10:1 (10 PLACES)



DETAIL B SCALE 10:1 LED PADS (2 PLACES)



RECOMMENDED PANEL OPENING LOCATION FROM TOP OF PCB

NOTES:

1. THE ENTIRE AREA UNDER THE CONNECTOR IS A KEEP OUT ZONE FOR COMPONENTS AND TRACES, TOP LAYER ONLY, EXCEPT FOR CHASSIS GROUND.
2. CROSS-HATCHED AREAS INDICATE PLACES WHERE THE PLASTIC HOUSING AND METAL CAGE MAY CONTACT PCB SURFACE. THESE AREAS ARE KEEP OUT ZONES. CROSS-HATCHED AREA UNDER THE CONNECTOR ARE TRACE AND VIA KEEP OUT AREAS FOR ALL LAYERS.
3. LED KEEP-IN ZONE DEFINES THE PHYSICAL SPACE ALLOWED FOR PLACEMENT OF SMD CHIP STYLE LED PACKAGING. KEEP-IN ZONE EXTENDS VERTICALLY TO 0.80mm ABOVE THE TOP SIDE OF BOARD.

THIS DRAWING CONTAINS INFORMATION THAT IS PROPRIETARY TO MOLEX ELECTRONIC TECHNOLOGIES, LLC AND SHOULD NOT BE USED WITHOUT WRITTEN PERMISSION											
DIMENSION UNITS MM		SCALE 3:1		CURRENT REV DESC: OBSOLETE PART NUMBER AS PER #508521				molex		ZQSFP 2X1 SPRING FINGER STANDARD LENGTH TMC LOW PROFILE ASSEMBLY	
GENERAL TOLERANCES (UNLESS SPECIFIED)		MM	INCH	EC NO: 667392		2021/04/29					
4 PLACES	±			DRWN: ABHISP1		2021/07/05		PRODUCT CUSTOMER DRAWING			
3 PLACES	±			CHK'D: GGA		2021/07/05		DOCUMENT NUMBER			
2 PLACES	±	0.13		APPR: GGA		2021/07/05		SD-170879-4000			
1 PLACE	±	0.25		INITIAL REVISION:				DOC TYPE DOC PART REVISION			
0 PLACES	±			DRWN: HAVERY		2014/11/06		PSD 001 A1			
ANGULAR TOL ± 0.5 °		THIRD ANGLE PROJECTION		APPR: HAVERY		2014/11/06		SHEET NUMBER			
DRAFT WHERE APPLICABLE MUST REMAIN WITHIN DIMENSIONS		DRAWING		SERIES		MATERIAL NUMBER		CUSTOMER		3 OF 5	
		C-SIZE		170879		SEE TABLE		GENERAL MARKET			

H
G
F
E
D
C
B
A

H
G
F
E
D
C
B
A

REVISION HISTORY		
DATE	REV.	DESCRIPTION
2019/02/15	A	1.REMASTERED FROM SD-170879-4000 REV.3 FROM MM INTO ECTR. 2.ADDED REVISION HISTORY 3.UPDATE PK SPEC TO PK-171233-0001 IN NOTE3, SHEET1.
		4.UPDATE NOTE2 FOR PLATING THICKNESS, SHEET1. 5.UPDATE KEEP-OUT ZONE AND VERBIAGE IN NOTE 1&2, SHEET3.
		6.UPDATE NOTE8, SHEET1 FOR DATE CODE FORMAT TO LDDYX, WAS DDDY.
2021/04/21	A1	1.OBSOLETED PART NUMBER 1708794003

THIS DRAWING CONTAINS INFORMATION THAT IS PROPRIETARY TO MOLEX ELECTRONIC TECHNOLOGIES, LLC AND SHOULD NOT BE USED WITHOUT WRITTEN PERMISSION									
DIMENSION UNITS	SCALE	CURRENT REV DESC: OBSOLETED PART NUMBER AS PER #508521			molex				
mm	1:1								
GENERAL TOLERANCES (UNLESS SPECIFIED)					ZQSFP 2X1 SPRING FINGER STANDARD LENGTH TMC LOW PROFILE ASSEMBLY				
ANGULAR TOL	± 0.5°	EC NO: 667392			PRODUCT CUSTOMER DRAWING				
4 PLACES	±	DRWN: ABHISP1 2021/04/29			DOCUMENT NUMBER SD-170879-4000				
3 PLACES	±	CHK'D: GGA 2021/07/05							
2 PLACES	± 0.13	APPR: GGA 2021/07/05			DOC TYPE		DOC PART		REVISION
1 PLACE	± 0.25	INITIAL REVISION:			PSD		001		A1
0 PLACES	±	DRWN: HAVERY 2014/11/06			CUSTOMER		GENERAL MARKET		SHEET NUMBER
DRAFT WHERE APPLICABLE MUST REMAIN WITHIN DIMENSIONS		THIRD ANGLE PROJECTION		DRAWING	SERIES	MATERIAL NUMBER		SEE TABLE	
				C-SIZE	170879	GENERAL MARKET		5 OF 5	

DOCUMENT STATUS	P1	RELEASE DATE	2021/07/05 08:39:53
-----------------	----	--------------	---------------------