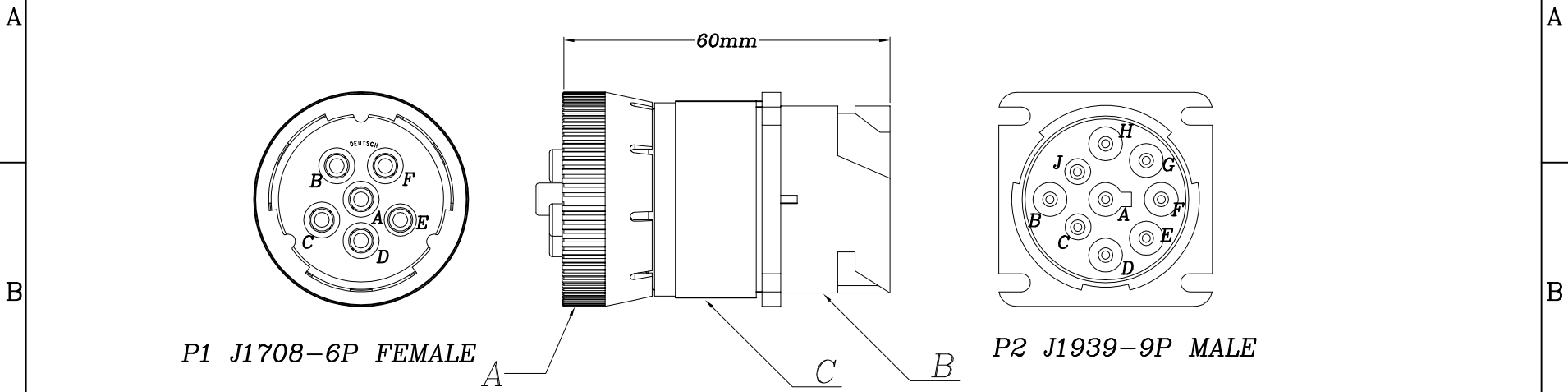


1 AVRGT      2      3      4      5      6

NO.	MOULD NO.	REMARK
1		THE FIRST RELEASE



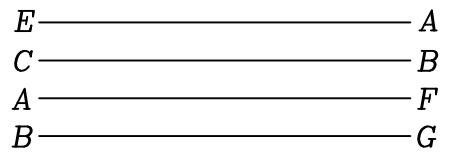
P1 J1708-6P FEMALE

P2 J1939-9P MALE



**PIN ASSIGNMENT**

P1 J1708-6P FEMALE      P2 J1939-9P MALE



**TESTING**

- 1.Any Open,Short Miswiring & Intermittent are not permitted.
- 2.Contact Resistance:1Ω.
- 3.Insulation Resistance:50MΩ/250V DC MIN.
- 4.This product is ROHS compliant.

D	CABLE:UL1007 20AWG L=60MM	4	PCS
D	C OVERMOLD:BLACK 25P BLACK PVC	30	G
B	J1939-9PIN MALE CONNECTOR:BLACK PA66+GF	1	SET
A	J1708-6PIN FEMALE CONNECTOR:GRAY PA66+GF	1	SET
ITEM	BILL OF MATERIAL /SPECIFICATION	QTY	UNIT

QUALITY SYMBOLS	150149-Adapter-138		
	GENERAL TOLERANCES X ±--- XX ±1.27 XXX ±0.51 ANGLE TOLERANCES X° ±1.0° XX° ±--- XXX° ±---	PRODUCT NAME J1708-6PIN FEMALE TO J1939-9PIN MALE	
▼"0 ▽"0	DATE:2019/09/04 DRAWN BY	DATE: APPROVED BY	UNIT: MM    SHEET: 1/1 SIZE: A4    SCALE:1:1    VER: A/1 THIRD ANGLE PROJECTION

1      2      3      4      5 AVRGT      6