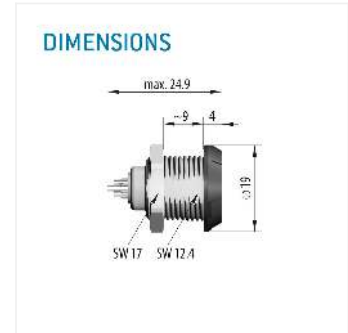
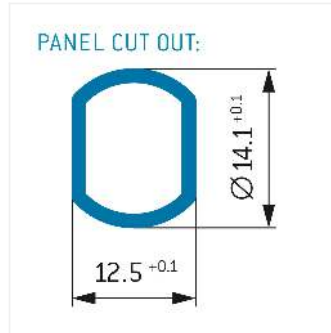
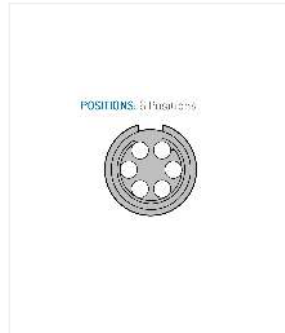
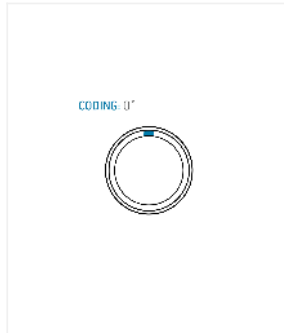


General information

Part number	G11M07-P06LFD0-0080
Termination	solder
Size	1
Locking principle	break, push
Coding	0 key



Contact insert description

Number of contacts	6
Contact type	sockets
Contact diameter	07mm
Insulator material	peek
Wire cross section	26_awg
Termination	solder
Termination diameter	065mm

reverse\_gender\_on\_request

Technical information

Max. creepage and air clearance distance	085 mm	
Nominal current single contact	06 a	iec 60512_5_2
Nominal current insert	4,5 A	vde_0298_4
Test voltage	16 kv_dc	sae_13441

safety\_text

Mechanical and environmental data

Degree of protection*	ip50
Operating temperature	50_120_c
Mating cycles	5000

mated\_unmated

Insulator materials MEDI-SNAP®

psu\_peek

## Material and surface treatments

<b>Housing</b>	psu_gray
<b>Color option</b>	black
<b>Contact</b>	cu_alloy_gold

safety\_text\_2  
ul\_text  
illustrative\_text