

1

2

3

4

5

6

7

A

B

C

D

E

F

G

H

A

B

C

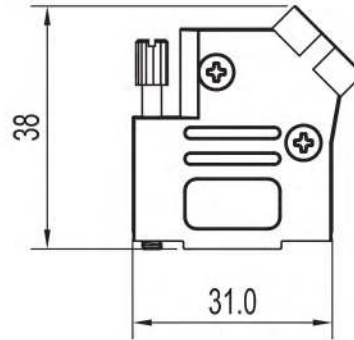
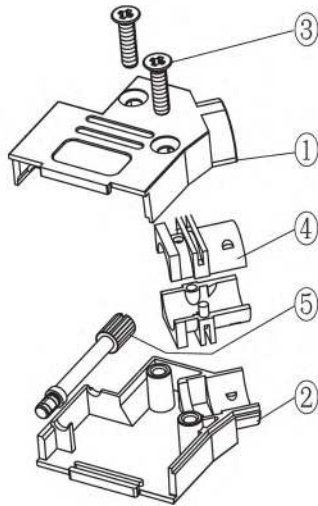
D

E

F

G

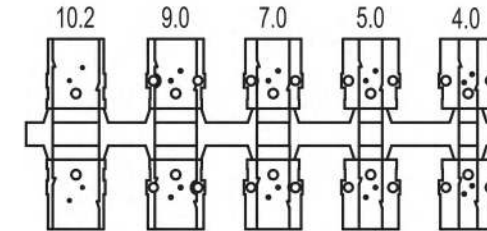
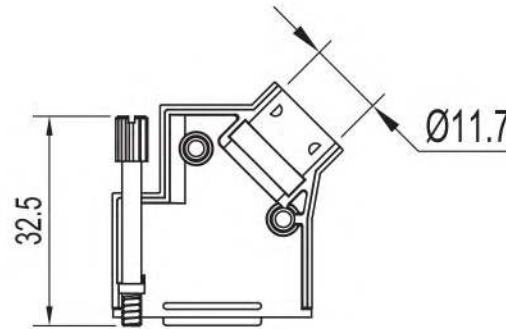
H



TECHNICAL SPECIFICATIONS

Material: Zinc
 Surface/Colour: Black
 Operating Temperature: -40°C to +120°C
 Thumbscrews: UNC 4-40

No. of contacts: 09-15-25-37



Grommet Set

Item	QTY	Part description
1	1	Upper Cover
2	1	Lower Cover
3	2	M3x12 CSK Screw
4	1	Grommet Set
5	1	Thumbscrew UNC4-40 x 32.5mm

RoHS compliant
 Unit: mm

Scale	Free				Date	Name	Customer-No.	
TOLERANCE					Drawn	17.08.2017	S.Bölling	
0~6	±0.10				Approved	17.08.2017	S.Bölling	
6~30	±0.20							
30~120	±0.30							
120~400	±0.50							
DIM	Tol							
Angle	±1°	Ⓢ	Drawn	17.08.2017				S.Bölling
Angle	Tol	Id.	Modification	Date				Name

Customer-No.

Date

Name

Drawn

17.08.2017

S.Bölling

Approved

17.08.2017

S.Bölling

ASSMANN WSW-No.

ACOV-SUB-09MB25

Drawing-No.

ASS_5266_CO

rev00

Replace

Sheet 1/4

1

2

3

4

5

6

7

SV4382

1

2

3

4

5

6

7

A

A

B

B

C

C

D

D

E

E

F

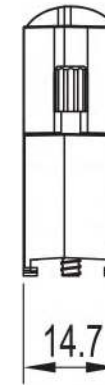
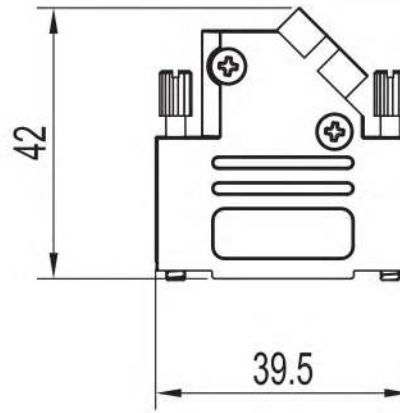
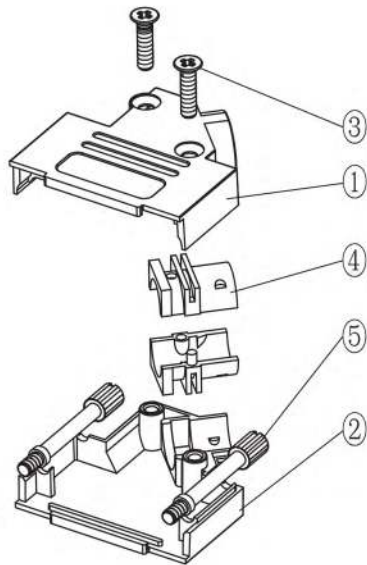
F

G

G

H

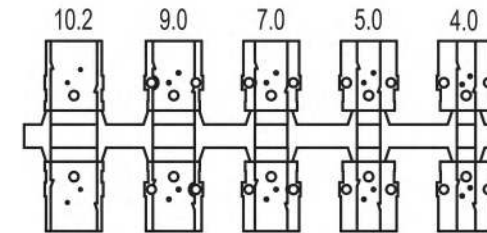
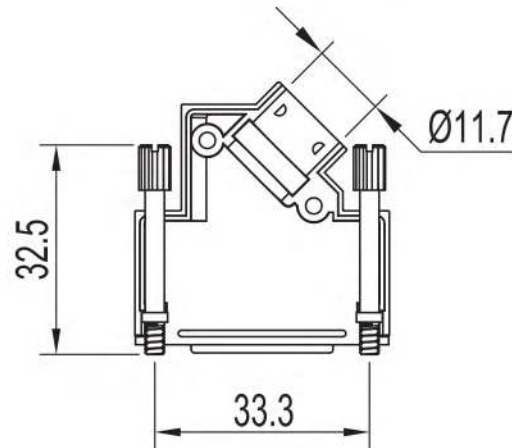
H



TECHNICAL SPECIFICATIONS

Material: Zinc
 Surface/Colour: Black
 Operating Temperature: -40°C to +120°C
 Thumbscrews: UNC 4-40

No. of contacts: 09-15-25-37



Grommet Set

Item	QTY	Part description
1	1	Upper Cover
2	1	Lower Cover
3	2	M3x12 CSK Screw
4	1	Grommet Set
5	2	Thumbscrews UNC4-40 x 32.5mm

RoHS compliant
 Unit: mm

Scale	Free				Date	Name	Customer-No.	
TOLERANCE					Drawn	17.08.2017	S.Bölling	
0~6	±0.10				Approved	17.08.2017	S.Bölling	
6~30	±0.20							
30~120	±0.30							
120~400	±0.50							
DIM	Tol							
Angle	±1°	Ⓢ	Drawn	17.08.2017				S.Bölling
Angle	Tol	Id.	Modification	Date				Name

Customer-No.
 ASSMANN WSW-No.
ACOV-SUB-15MB25

Drawing-No.
ASS_5266_CO rev00
 Replace
 Sheet 2/4

1

2

3

4

5

6

7

SV4382

1

2

3

4

5

6

7

A

B

C

D

E

F

G

H

A

B

C

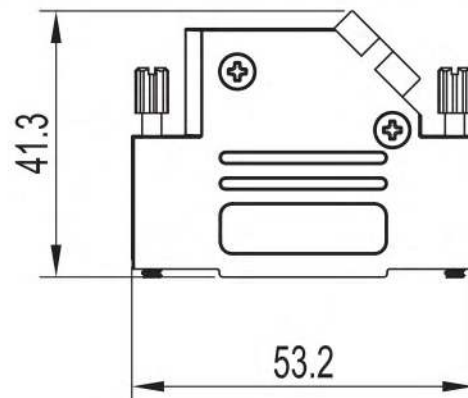
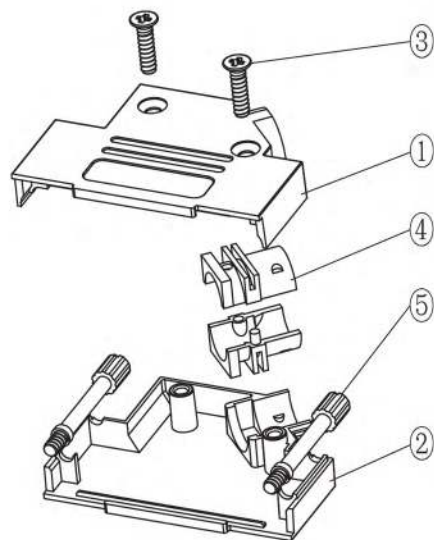
D

E

F

G

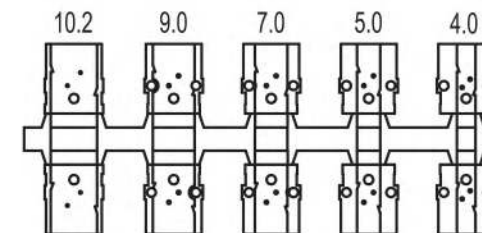
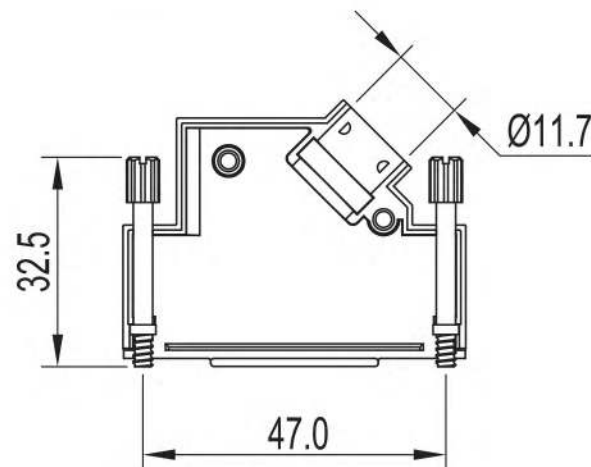
H



TECHNICAL SPECIFICATIONS

Material: Zinc
 Surface/Colour: Black
 Operating Temperature: -40°C to +120°C
 Thumbscrews: UNC 4-40

No. of contacts: 09-15-25-37



Grommet Set

Item	QTY	Part description
1	1	Upper Cover
2	1	Lower Cover
3	2	M3x12 CSK Screw
4	1	Grommet Set
5	2	Thumbscrews UNC4-40 x 32.5mm

RoHS compliant
 Unit: mm

Scale	Free				Date	Name	Customer-No.	
TOLERANCE					Drawn	17.08.2017	S.Bölling	
0~6	±0.10				Approved	17.08.2017	S.Bölling	
6~30	±0.20							
30~120	±0.30							
120~400	±0.50							
DIM	Tol							
Angle	±1°	Ⓢ	Drawn	17.08.2017				S.Bölling
Angle	Tol	Id.	Modification	Date				Name

Customer-No.
 ASSMANN WSW-No.
ACOV-SUB-25MB25

Drawing-No.
ASS_5266_CO rev00
 Replace
 Sheet 3/4

1

2

3

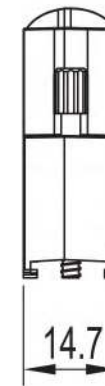
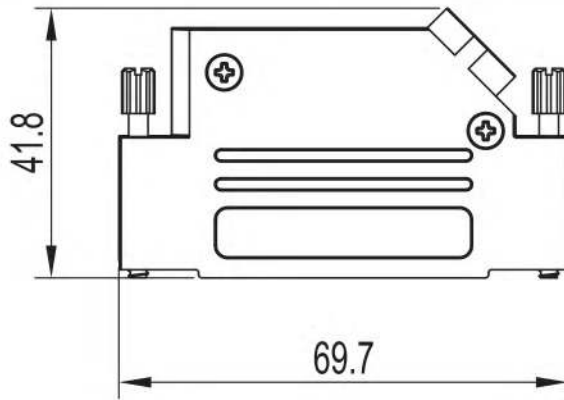
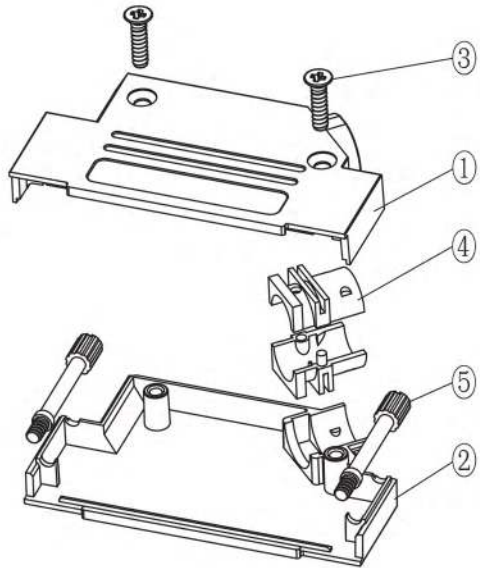
4

5

6

7

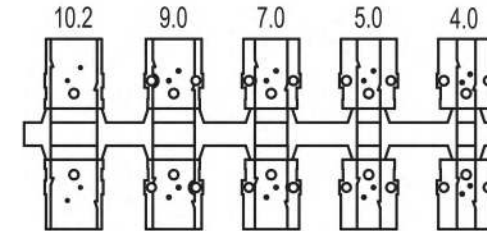
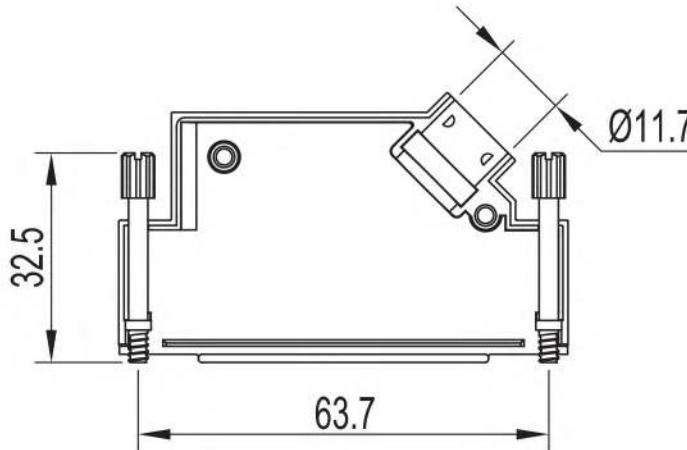
SV4382



TECHNICAL SPECIFICATIONS

Material: Zinc
 Surface/Colour: Black
 Operating Temperature: -40°C to +120°C
 Thumbscrews: UNC 4-40

No. of contacts: 09-15-25-37



Grommet Set

Item	QTY	Part description
1	1	Upper Cover
2	1	Lower Cover
3	2	M3x12 CSK Screw
4	1	Grommet Set
5	2	Thumbscrews UNC4-40 x 32.5mm

RoHS compliant
 Unit: mm

Scale	Free				Date	Name	Customer-No.
TOLERANCE					Drawn	17.08.2017	S.Bölling
0~6	±0.10				Approved	17.08.2017	S.Bölling
6~30	±0.20						
30~120	±0.30						
120~400	±0.50						
DIM	Tol						
Angle	±1°	Ⓢ	Drawn	17.08.2017	S.Bölling		
Angle	Tol	Id.	Modification	Date	Name		



Customer-No.
 ASSMANN WSW-No.
ACOV-SUB-37MB25

Drawing-No.
ASS_5266_CO rev00
 Replace Sheet 4/4