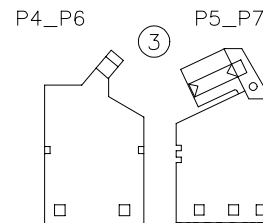
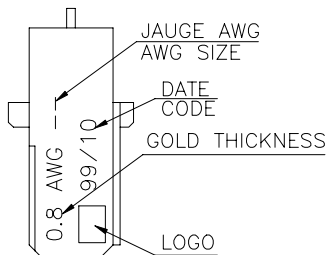
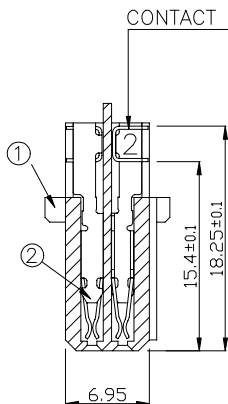
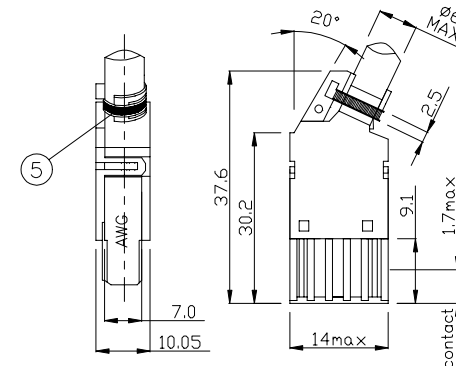


CONNECTOR



HOOD



OVERAL VIEW

PLATING CODE & GOLD THICKNESS	E9 Au:1u	Z4 OR Z6 Au:0.8u
PART NUMBER	BPS1B10D3CE9(LF)	1AB000490001(LF) BPS1B10D0CZ6(LF) 1AB000490013(LF) BPS1B10D2CZ6(LF) 1AB000490007(LF) BPS1B10D3CZ6(LF)

ITEM	CATALOGUE NO.	QTY.	FOR COMPLETE ASS'Y	DESCRIPTION	DRAWING
5	HPTE1597 HPTE1586	-	-	PLASTIC CABLE CLAMP CABLE CLAMP ø7.2	- VAW19067
4	HPTE1585/A HPTE1585	-	-	CABLE CLAMP ø12.5 CROSSHEEDED SCREW OR SLOTTED SCREW	VAW19066 VAW21269 VAW19065
3	BPBS1B10P7 BPBS1B10P5 BPBS1B10P6 BPBS1B10P4	-	1 - 1 - 1	1/2 CABLE HOOD FOR AWG30 1/2 CABLE HOOD FOR AWG24 AWG26 1/2 CABLE HOOD FOR AWG30 1/2 CABLE HOOD FOR AWG24 AWG26	VRW11174 VRW11175
2	BPCD3P2--(LF) BPCD2P2--(LF) BPCD0P2--(LF)	10 - - 10	- - - 10	CONTACT FOR AWG24 (IDENTIFICATION=3) CONTACT FOR AWG26 (IDENTIFICATION=2) CONTACT FOR AWG30 (IDENTIFICATION=0)	VTW10916
1	BPBS1B10P9 BPBS1B10P8 BPBS1B10P1	- - 1	1 - - 1	BODY FOR AWG30 (COLOR=WHITE) BODY FOR AWG26 (COLOR=BLACK) BODY FOR AWG24 (COLOR=GREY)	VRW11171
					DRAWING

NOTES:
 1.MATERIAL:
 HOOD:THERMALPLATIC UL94V0;
 BODY:GLASSFIBER REINFORCED THERMALPLASTIC UL94V0;
 CONTACTS:PHOSPHOR BRONZE;
 PLATING:GOLD OVER 2um NICKEL ON WORKING AREA.
 2.MECHANICAL REQUIREMENT:
 INSERTION FORCE(EACH CONTACT):<=1N;
 WITHDRAWAL FORCE (EACH CONTACT):>=0.19N;
 DURABILITY:>=100CYCLES.
 3.ELECTRICAL REQUIREMENT:
 INITIAL CONTACT RESISTANCE:<=20MILLIOHM;
 INSULATION RESISTANCE AFTER TEST:>=10000MEGAOHM;
 WITHSTANDING VOLTAGE:>1000Vrms;
 OPERATING VOLTAGE:250VAC;
 OPERATING CURRENT:1.3A AT 70 DEGREE.
 4.IF LEAD FREE P/N, GS-14-920 SHOULD BE APPLIED.
 5.THIS PRODUCT MEETS EUROPEAN UNION DIRECTIVES AND OTHER COUNTRY REGULATIONS AS DESCRIBED IN GS-22-008.

mat'l. code SEE NOTES				tolerances unless otherwise specified			CUSTOMER COPY		FCI www.fciconnect.com		
ltr	ecn no	dr	date	linear	.X ± 0.5		projection	title HOOD AND CABLE CONNECTOR ASSY 2X5 vxx27633			
A	F03021	DLE	01/29/03		.XX ± 0.30						
B	N05-0223	AILEI	09/05/05	angles	± 2°		MM	product family DIN code size dwg no VJW12164 sheet 1 of 1			
					dr	D LEGRAND					01/29/03
				enr	F TISSERAND	01/29/03	scale 1:1	A4			
				chr	JF NOTTEAU	01/29/03					
				app	F. TI	01/29/03					
sheet index	revision sheet	B	1								