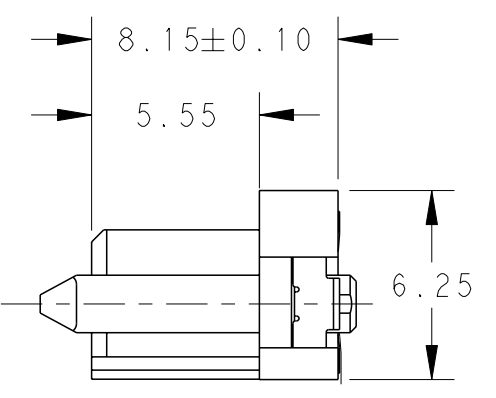
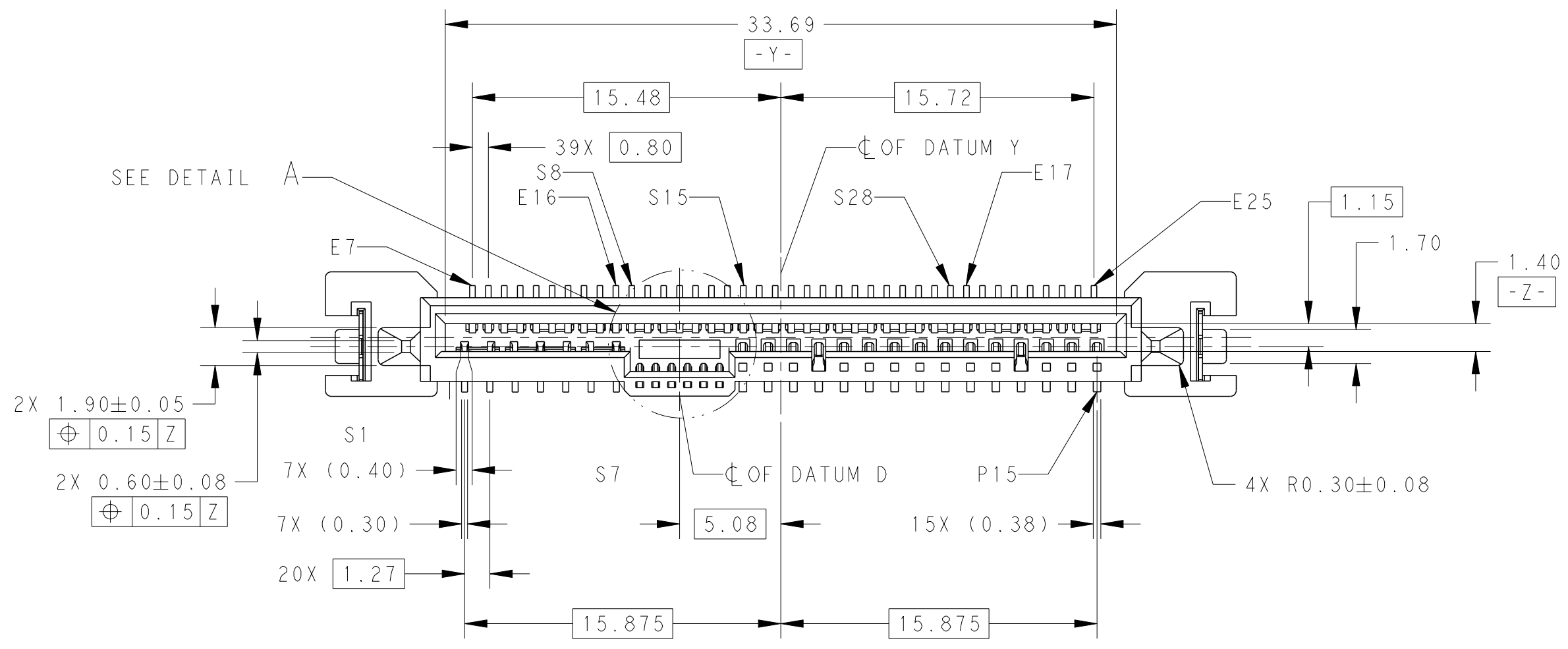
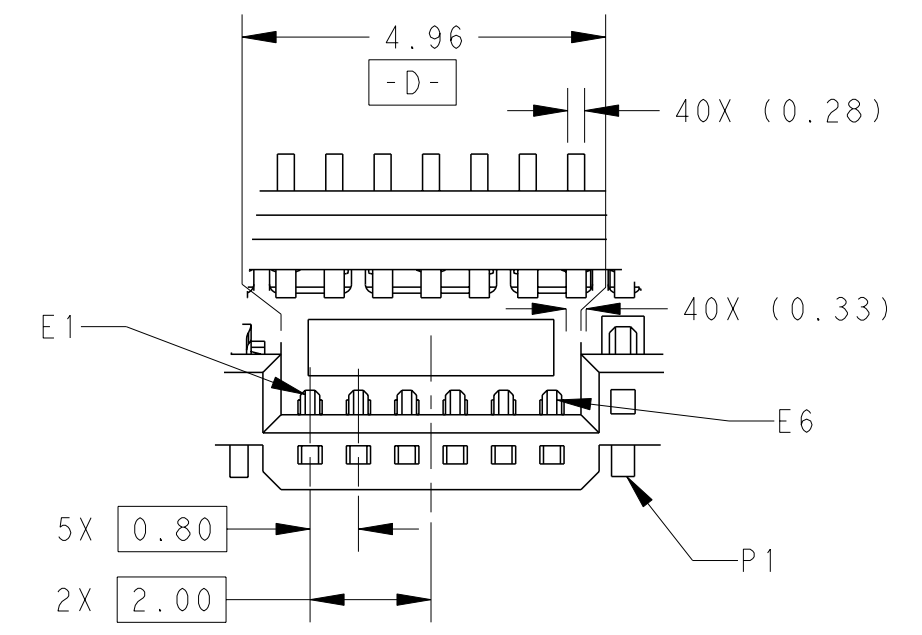


THIS DRAWING IS UNPUBLISHED. RELEASED FOR PUBLICATION 20
 © COPYRIGHT 20 BY - ALL RIGHTS RESERVED.

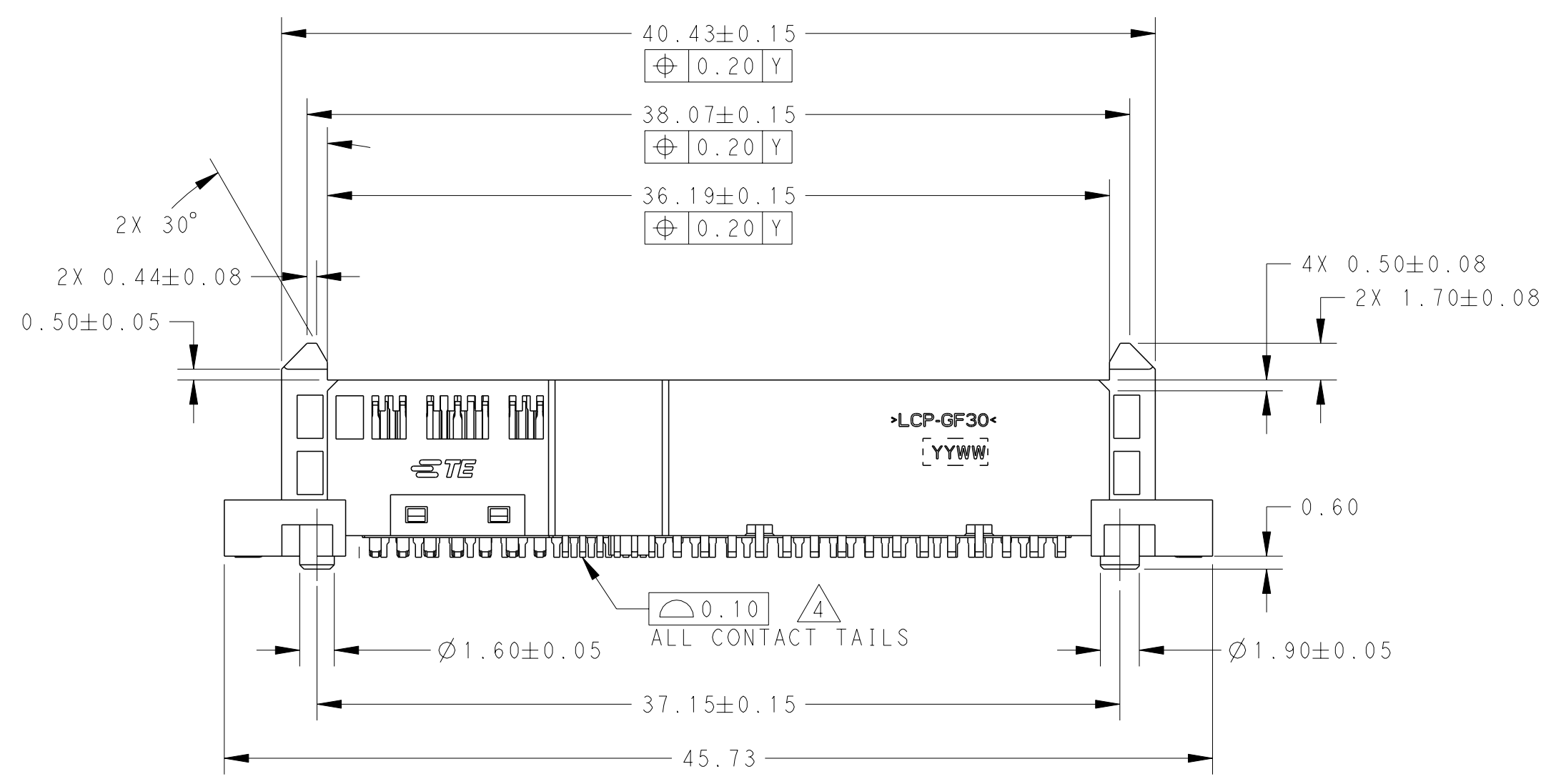
REVISIONS					
P	LTR	DESCRIPTION	DATE	DWN	APVD
	A	RELEASED FOR PRODUCTION	14JAN2021	TX	DZ



- NOTES:
- 1 MATERIAL:
HOUSING: HIGH TEMP THERMOPLASTIC, UL94V-0,
COLOR:BLACK
CONTACT: COPPER ALLOY
BOARDLOCK: COPPER ALLOY
 - 2 FINISH:
CONTACT AREA:
MIN 0.76µm GOLD PLATING
SOLDERTAIL: MIN 2.54µm MATTE TIN PLATING
UNDERPLATE: MIN 1.27µm NICKEL PLATING
 - 3 PIN #P4 AND #P12 ONLY
 - 4 SOLDER TAIL TO BE 0.05 MAX ABOVE
AND 0.10 MAX BELOW DATUM E
 - 5 1.33 MAX MEASURED AT DATUM C



DETAIL A
SCALE 8:1

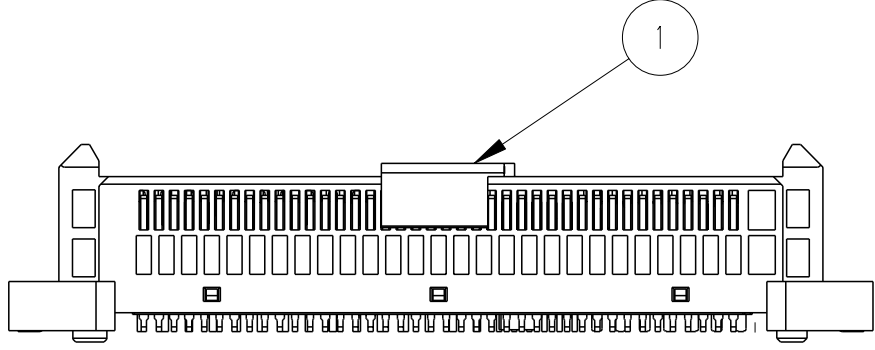
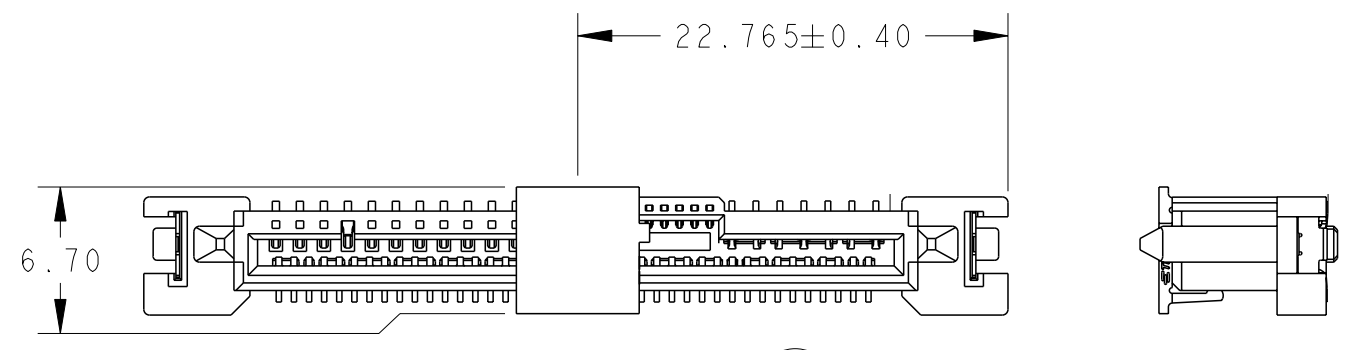


TRAY	YES	2357099-3
TAPE & REEL	YES	2357099-2
TRAY	NO	2357099-1
PACKAGING	PICK-UP CAP (1)	PART NUMBER

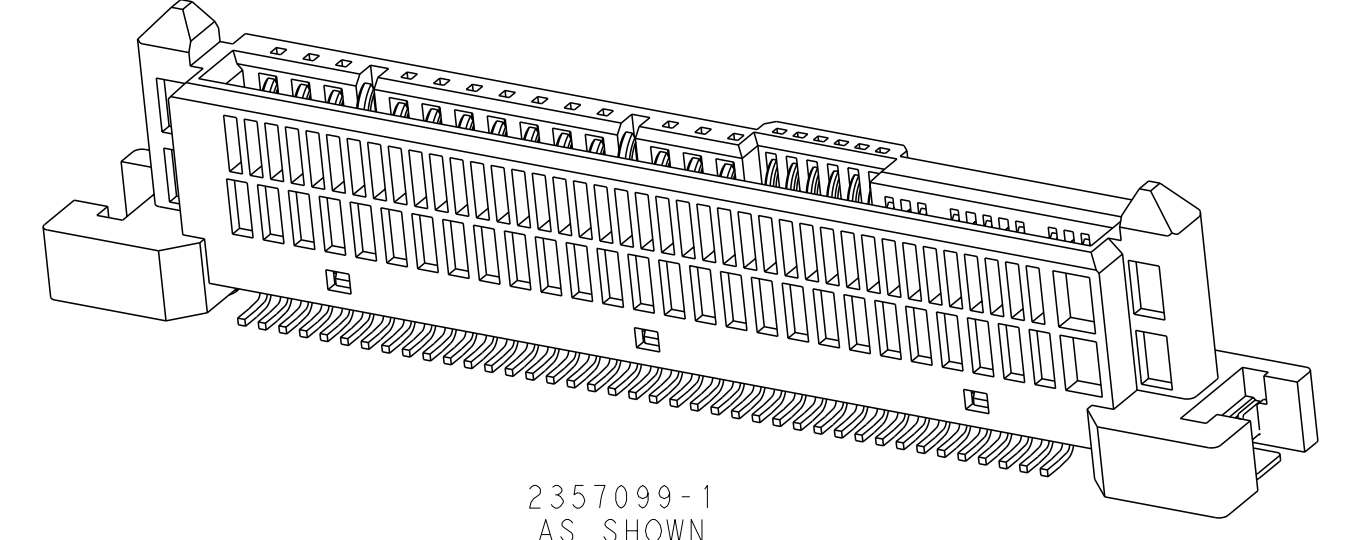
THIS DRAWING IS A CONTROLLED DOCUMENT.		DWN TIM XUE 23MAY2019	TE Connectivity	
DIMENSIONS: mm		CHK SEAN HAN 23MAY2019		
TOLERANCES UNLESS OTHERWISE SPECIFIED:		APVD S. HAN 23MAY2019	NAME SAS/PCIE 4.0 (U.2/U.3) RECEPTACLE, 68POS	
0 PLC ± 1 PLC ±0.20 2 PLC ±0.20 3 PLC ±0.20 4 PLC ± ANGLES ±3° FINISH		PRODUCT SPEC	SIZE CAGE CODE DRAWING NO RESTRICTED TO	
MATERIAL		APPLICATION SPEC	A200779 C-2357099	
-		WEIGHT	SCALE 2:1 SHEET 1 OF 2 REV A	
-		CUSTOMER DRAWING		

THIS DRAWING IS UNPUBLISHED. RELEASED FOR PUBLICATION 20
 © COPYRIGHT 20 BY - ALL RIGHTS RESERVED.

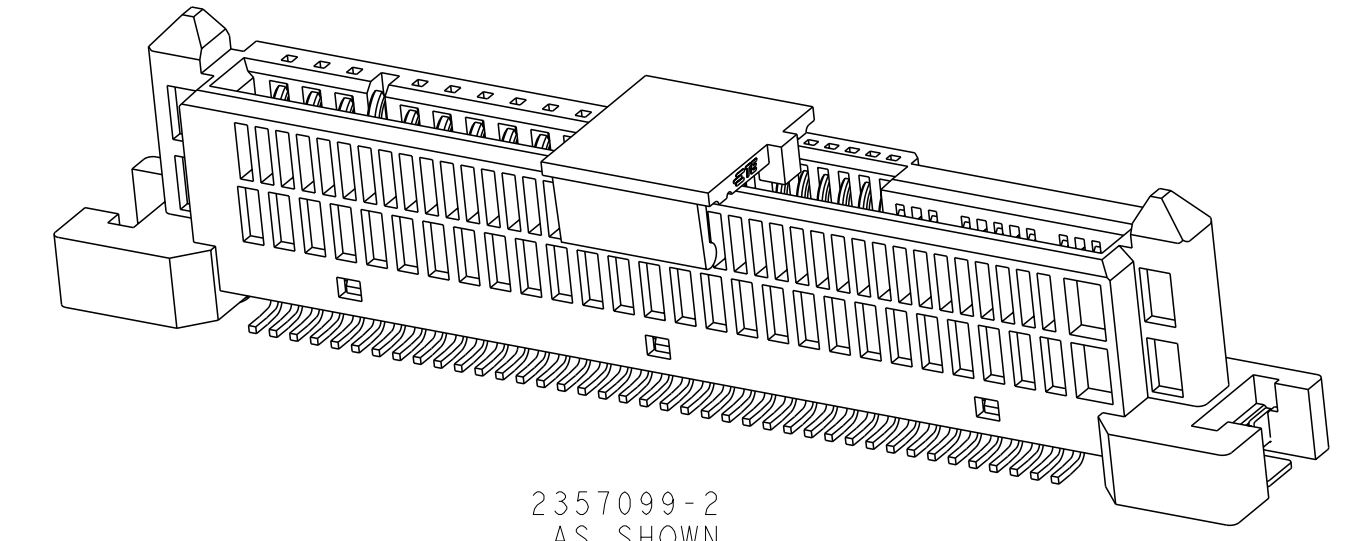
LOC		DIST		REVISIONS			
P	LTR	DESCRIPTION	DATE	DWN	APVD		
-	-	SEE SHEET 1	-	-	-		



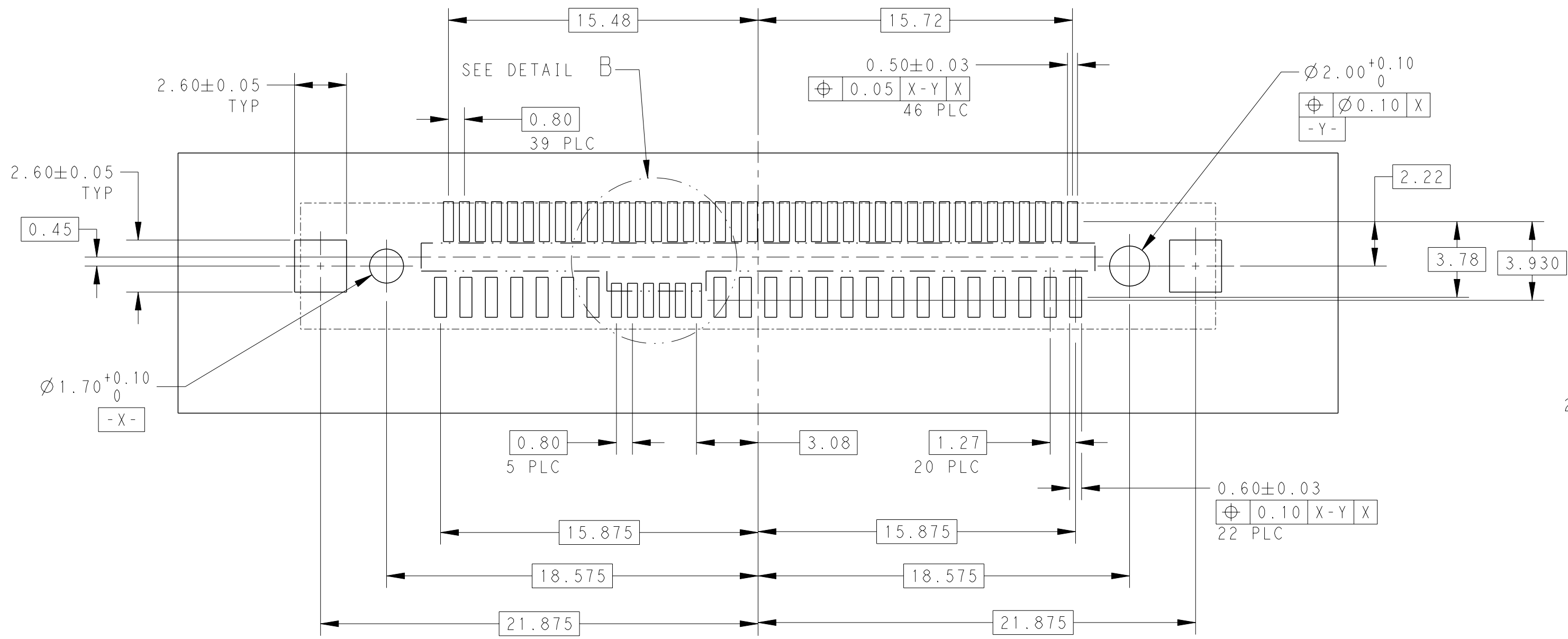
P/N: 2357099-2 AS SHOWN
 RECEPTACLE WITH PICK-UP CAP



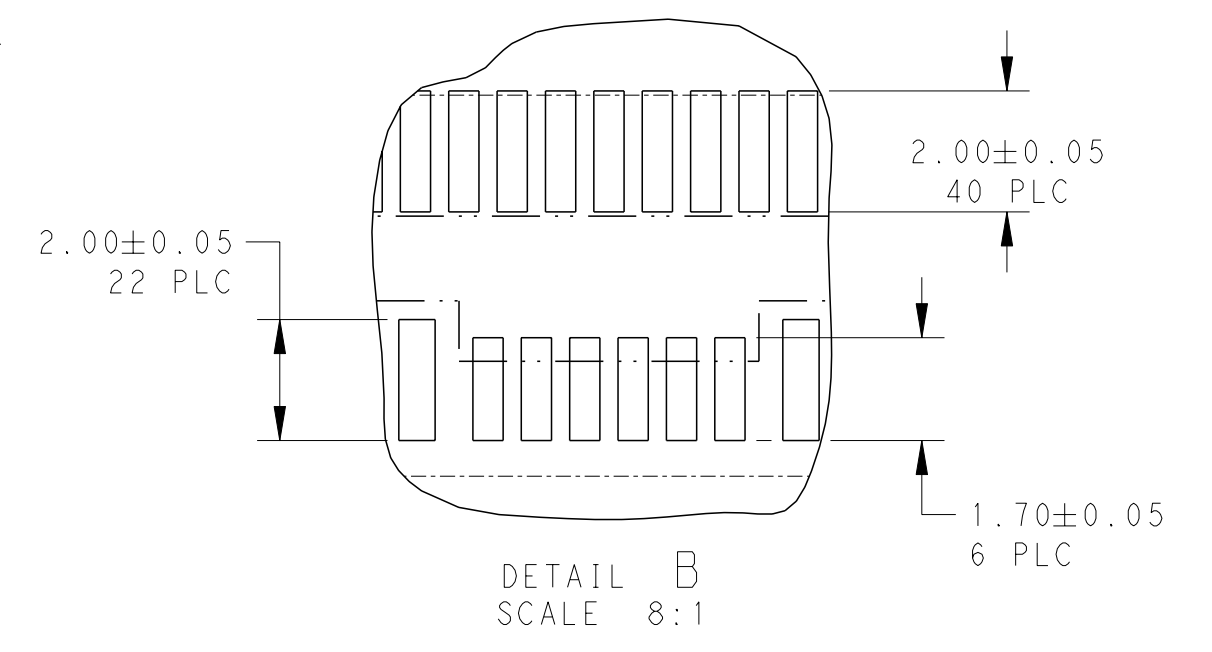
2357099-1
 AS SHOWN
 SCALE 4:1



2357099-2
 AS SHOWN
 SCALE 4:1



RECOMMENDED RECEPTACLE BOARD LAYOUT
 SCALE 5:1



DETAIL B
 SCALE 8:1

THIS DRAWING IS A CONTROLLED DOCUMENT.		DWN TIM XUE 23MAY2019	TE Connectivity	
DIMENSIONS: mm		CHK SEAN HAN 23MAY2019		
TOLERANCES UNLESS OTHERWISE SPECIFIED:		APVD S. HAN 23MAY2019	NAME SAS/PCIE 4.0 (U.2/U.3) RECEPTACLE, 68POS	
0 PLC ± 1 PLC ±0.20 2 PLC ±0.20 3 PLC ±0.20 4 PLC ± ANGLES ±3° FINISH		PRODUCT SPEC	SIZE A200779	DRAWING NO C-2357099
MATERIAL		APPLICATION SPEC	RESTRICTED TO	
		WEIGHT	SCALE 2:1	SHEET 2 OF 2
		CUSTOMER DRAWING	REV A	