



## 2.4mm Female to 2.92mm Female Miter Right Angle Adapter

### RF Adapters Technical Data Sheet

PE91525

#### Configuration

- 2.4mm Female Connector 1
- 2.92mm Female Connector 2
- 50 Ohm
- Miter Right Angle Body Geometry

#### Features

- Max VSWR of 1.25:1 up to 40 GHz
- 4  $\mu$ m. Minimum contact plating
- Gold over Nickel Plated Beryllium Copper Contact

#### Applications

- Allows Connection Between Series
- General Purpose Test

#### Description

Pasternack's PE91525 2.4mm female to 2.92mm female miter right angle adapter is part of our full line of RF components available for same-day shipping. The 2.4mm connector mates mechanically with commercially available 1.85mm (V) connectors. The 2.92mm connector mates mechanically with commercially available SMA and 3.5mm connectors. Our 2.4mm to 2.92mm adapter has a female to female gender configuration built of durable stainless steel. PE91525 2.4mm female to 2.92mm female adapter operates to 40 GHz. The Pasternack RF adapter provides excellent VSWR of 1.25:1 maximum. This miter right angle 2.4mm to 2.92mm adapter allows for easier connections in tight spaces.

RF adapters are often used to enable connections between two connector types that would otherwise not mate. Certain adapter configurations can also be used to protect connectors on expensive equipment where the number of connect/disconnect cycles is high. An RF, microwave or millimeter wave adapter is connected to the equipment, and the commonly changed connection is made with the adapter which can be easily replaced when it wears out after high usage; such adapters are referred to as connector savers. Pasternack also offers bulkhead, panel mount, hermetically sealed, reverse polarity, and isolated ground adapter varieties to serve all of your RF, microwave and millimeter wave needs.

#### Electrical Specifications

Description	Minimum	Typical	Maximum	Units
Frequency Range	DC		40	GHz
VSWR			1.25:1	

#### Mechanical Specifications

Size	
Length	0.622 in [15.8 mm]
Width	0.236 in [5.99 mm]
Height	0.64 in [16.26 mm]

Click the following link (or enter part number in "SEARCH" on website) to obtain additional part information including price, inventory and certifications: [2.4mm Female to 2.92mm Female Miter Right Angle Adapter PE91525](#)



## 2.4mm Female to 2.92mm Female Miter Right Angle Adapter

### RF Adapters Technical Data Sheet

PE91525

Description	Connector 1	Connector 2
Type	2.4mm Female	2.92mm Female
Polarity	Standard	Standard

#### Material Specifications

Description	Connector 1		Connector 2	
	Material	Plating	Material	Plating
Type	2.4mm Female		2.92mm Female	
Contact	Beryllium Copper	Gold over Nickel 4 µin. Minimum	Beryllium Copper	Gold over Nickel 4 µin. Minimum
Insulation	Oxide-Noryl		Oxide-Noryl	
Body	Passivated Stainless Steel		Passivated Stainless Steel	

#### Compliance Certifications (see [product page](#) for current document)

2.4mm Female to 2.92mm Female Miter Right Angle Adapter from Pasternack Enterprises has same day shipment for domestic and International orders. Our RF, microwave and millimeter wave products maintain a 99.4% availability and are part of the broadest selection in the industry.

Click the following link (or enter part number in "SEARCH" on website) to obtain additional part information including price, inventory and certifications: [2.4mm Female to 2.92mm Female Miter Right Angle Adapter PE91525](#)

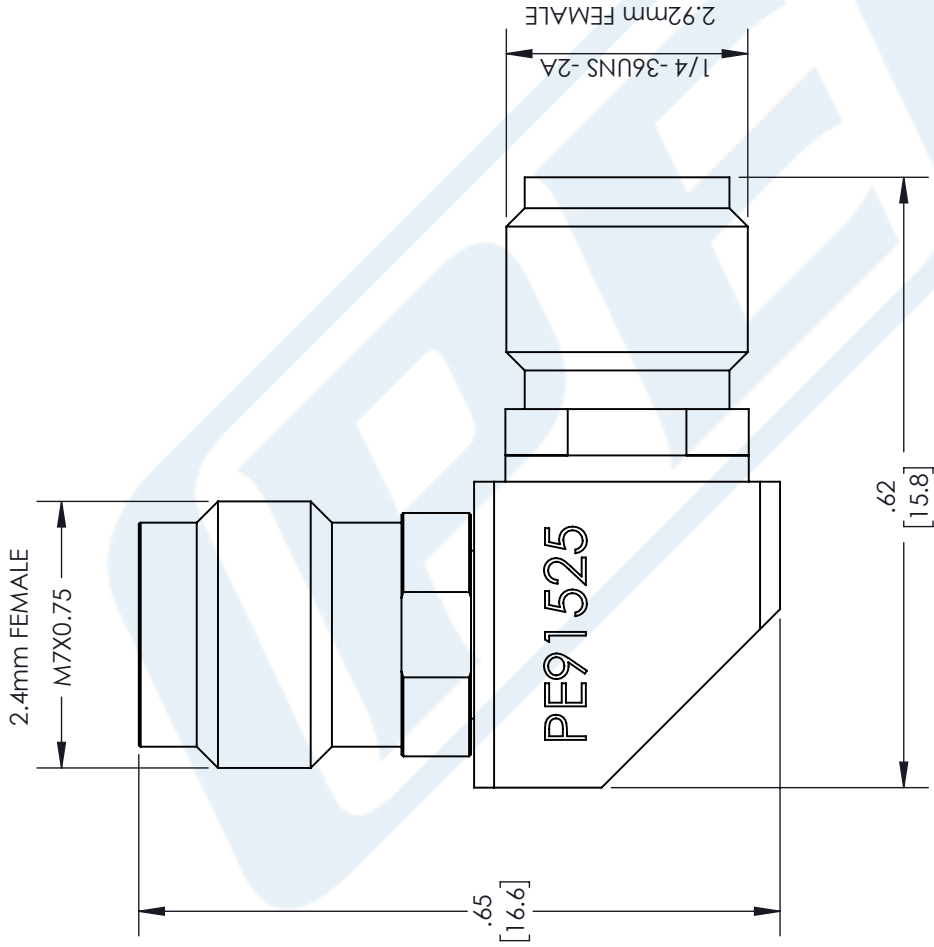
URL: <https://www.pasternack.com/2.4mm-female-2.92mm-female-miter-right-angle-adapter-pe91525-p.aspx>

The information contained in this document is accurate to the best of our knowledge and representative of the part described herein. It may be necessary to make modifications to the part and/or the documentation of the part, in order to implement improvements. Pasternack reserves the right to make such changes as required. Unless otherwise stated, all specifications are nominal. Pasternack does not make any representation or warranty regarding the suitability of the part described herein for any particular purpose, and Pasternack does not assume any liability arising out of the use of any part or documentation.

# PE91525 CAD Drawing

## 2.4mm Female to 2.92mm Female Miter Right Angle Adapter

REVISIONS		
REV.	DESCRIPTION	DATE
A	INITIAL RELEASE	02/15/2021
		APPROVED SELLIS



UNLESS OTHERWISE SPECIFIED  
LEADING DIMENSIONS ARE INCHES  
DIMENSIONS IN [ ] ARE MILLIMETERS

**TOLERANCES:**

.X = ±.2 [5.08]    FRACTIONS ± 1/32  
.XX = ±.02 [ .51]    ± 1/32  
.XXX = ±.005 [ .13]    ANGLES ± 1°

**CABLE LENGTH (L), TOLERANCES:**

L ≤ 12 [305] = +1 [25] / -0  
12 [305] < L ≤ 60 [1524] = +2 [51] / -0  
60 [1524] < L ≤ 120 [3048] = +4 [102] / -0  
120 [3048] < L ≤ 300 [7620] = +6 [152] / -0  
300 [7620] < L = +5% / -0

ALL DIMENSIONS SHOWN  
ARE FOR REFERENCE ONLY.

**PE PASTERNAK**  
an INFINITI brand

Pasternack Enterprises, Inc.  
P. O. Box 16759, Irvine, CA 92623.  
Phone: 1.949.261.1920 | 1.866.727.8376  
Fax: 1.949.261.7451  
Website: www.pasternack.com  
E-mail: sales@pasternack.com

SIZE: A    CAGE CODE: 53919    DRAWN BY: MVEERAPPAN    ITEM NO.: PE91525

THIRD-ANGLE PROJECTION

THE INFORMATION AND  
DESIGN IN THIS DOCUMENT  
IS THE PROPERTY OF  
PASTERNAK CORPORATION  
ALL RIGHTS RESERVED.

SHEET 1 OF 1

SCALE: N/A

REV: A