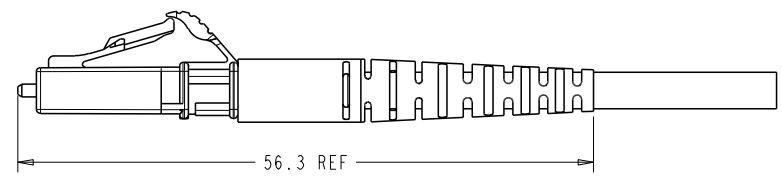
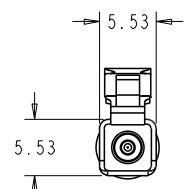
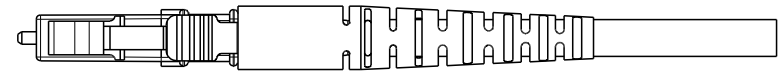
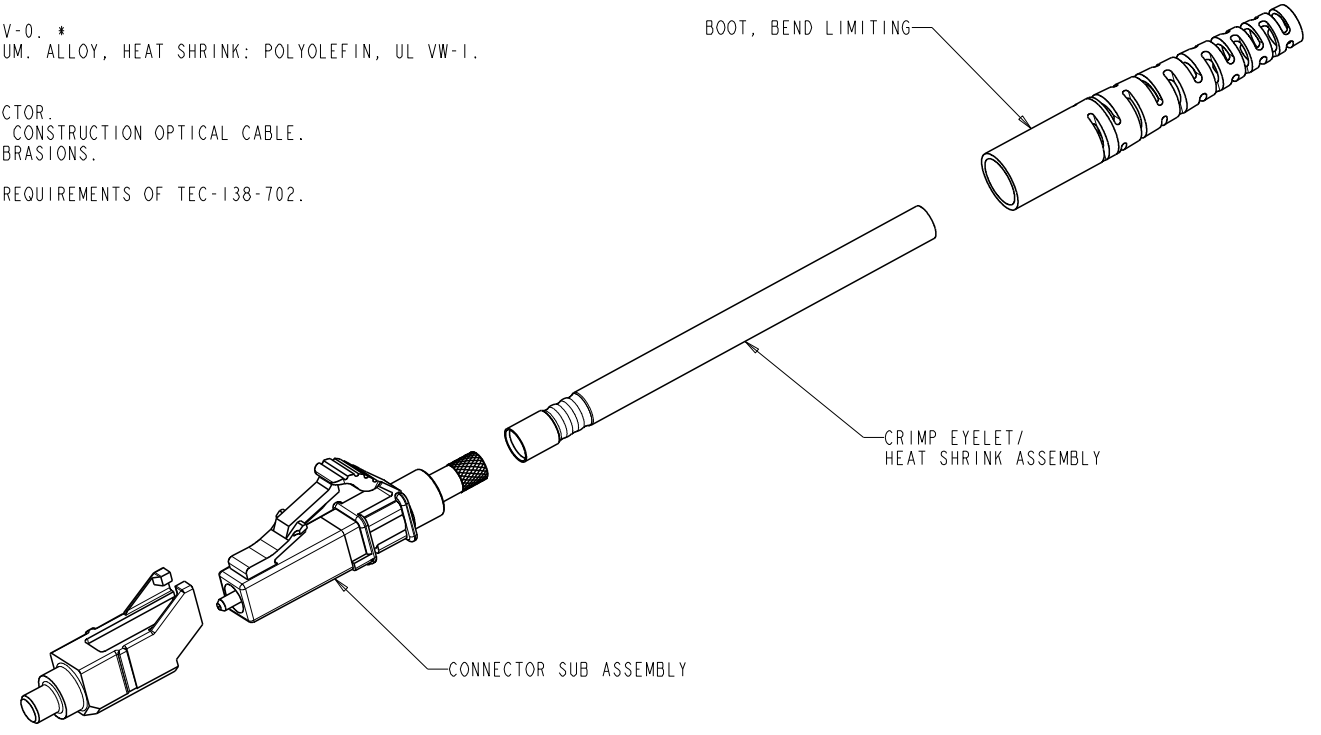


LOC	DIST	REVISIONS			
P	LT#	DESCRIPTION	DATE	OWN	APVD
C		ECR-14-016330	06NOV2014	HZ	RZ
D		ECR-14-019305	13JAN2015	KG	SM

△ MATERIAL: PROTECTIVE COVER: TPE, COLOR:BLACK, UL94 HB. *
 FERRULE SUB ASSEMBLY: ZIRCONIA/ALUM ALLOY.
 COMPRESSION SPRING: STAINLESS STEEL.
 FRONT HOUSING: PPSU, COLOR: SEE TABLE, UL94 V-0. *
 REAR BODY: ALUM ALLOY.
 BOOT: PP, COLOR: SEE TABLE, UL94 V-0. *
 CRIMP EYELET/HEAT SHRINK ASSY: ALUM. ALLOY, HEAT SHRINK: POLYOLEFIN, UL VW-1.
 *RATED AT QUALIFYING THICKNESS.

- THIS IS A NON-PULL PROOF LC CONNECTOR.
 IT IS DESIGNED FOR USE WITH TIGHT CONSTRUCTION OPTICAL CABLE.
 UNDER LOADS YOU MAY SEE ENDFACE ABRASIONS.
- PRODUCT AND PROCESSING MUST MEET REQUIREMENTS OF TEC-138-702.



BLUE	SINGLEMODE	2123265-2
BEIGE	MULTIMODE	2123265-1
COLOR	TYPE	PART NUMBER

THIS DRAWING IS A CONTROLLED DOCUMENT.

OWN: B. BRIGGS	22FEB2010	TE Connectivity
CHK: S. MILLER	22FEB2010	
APVD: D. BAECHTLER	22FEB2010	
PRODUCT SPEC		
APPLICATION SPEC		NAME: CONNECTOR KIT, LC, SIMPLEX JUMPER, TIGHT JACKET STYLE, 2.4mm
MATERIAL		SIZE: A2
WEIGHT		CAGE CODE: 00779
FINISH		DRAWING NO: C=2123265
		RESTRICTED TO: -
		Customer Drawing
		SCALE: 3:1
		SHEET 1 OF 1
		REV D