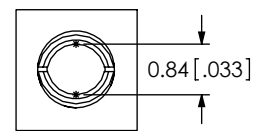
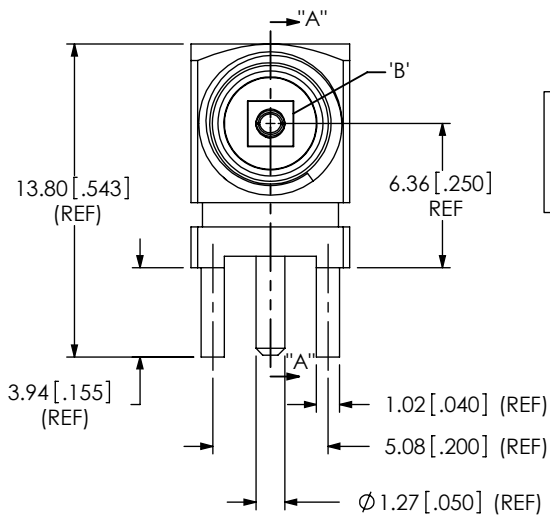


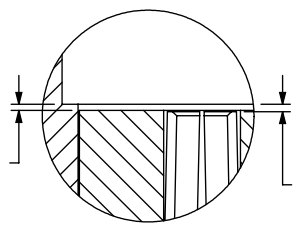
DO NOT SCALE FROM THIS PRINT

DESIGNED & DIMENSIONED IN MILLIMETERS [INCHES]



DETAIL 'B' SCALE 8 : 1

0.10±0.10 [.004±.0039] TO INSULATOR



DETAIL 'C' SCALE 8 : 1

SMA-J-P-X-RA-TH1

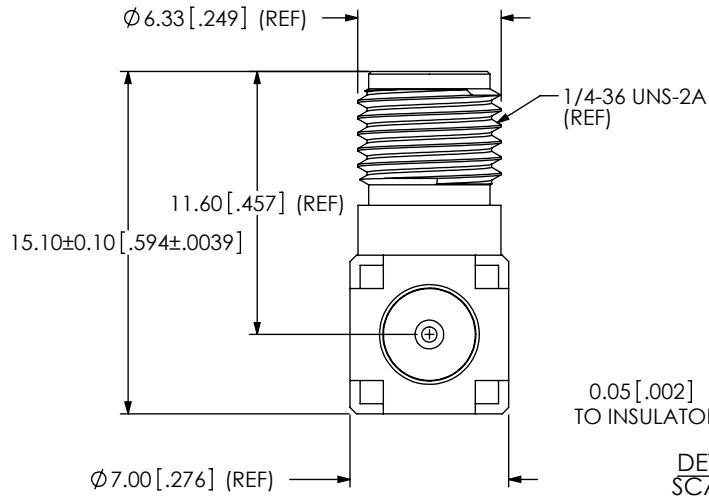
GENDER  
-J: JACK  
-T: THROUGH HOLE

TYPE  
-P: PCB

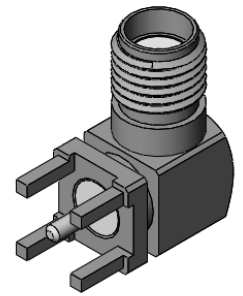
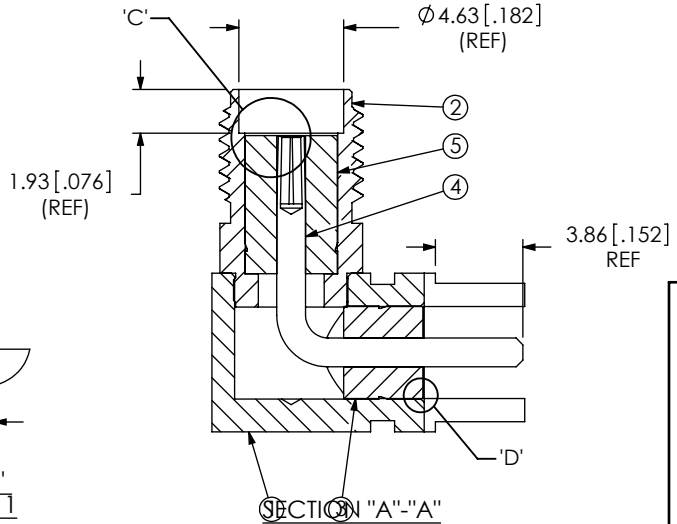
TERMINATION  
-TH1: THROUGH HOLE

ORIENTATION  
-RA: RIGHT ANGLE

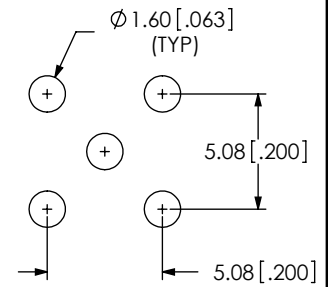
PLATING SPECIFICATION  
-H: 30µ" GOLD CENTER CONTACT, 3µ" GOLD OUTER CONTACT (SEE TABLE 1)



DETAIL 'D' SCALE 8 : 1



RECOMMENDED PCB LAYOUT



ITEM	COMPONENT	-H
1	BODY	SMA-J-P-F-RA-TH1-BDY
2	SHELL	SMA-J-P-F-RA-TH1-SHL
3	INSULATOR 1	SMA-INS-009
4	SOCKET	SMA-J-P-H-RA-TH1-SKT
5	INSULATOR 2	SMA-INS-005

- NOTES:
- ⊕ REPRESENTS A CRITICAL DIMENSION.
  - PUSHOUT FORCE FOR INSULATOR: 44.48 N [10 LB] MIN.
  - SEE CO-HD-WI-3040-M RF PACKAGING FOR PACKAGING INSTRUCTIONS. USE SAMTEC TRAY TY-SMA001-1 AND TY-SMA001-2. QUANTITIES LESS THAN A FULL TRAY WILL NOT BE PACKAGED IN TRAYS.
  - NOTE DELETED.

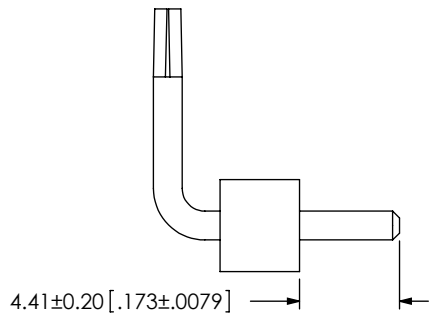
UNLESS OTHERWISE SPECIFIED, DIMENSIONS ARE IN MILLIMETERS. TOLERANCES ARE:  
DECIMALS ANGLES  
.X: ±0.3 [.01] 5°  
.XX: ±0.13 [.005]  
.XXX: ±0.051 [.0020]

PROPRIETARY NOTE  
THIS DOCUMENT CONTAINS INFORMATION CONFIDENTIAL AND PROPRIETARY TO SAMTEC, INC. AND SHALL NOT BE REPRODUCED OR TRANSFERRED TO OTHER DOCUMENTS OR DISCLOSED TO OTHERS OR USED FOR ANY PURPOSE OTHER THAN THAT WHICH IT WAS OBTAINED WITHOUT THE EXPRESSED WRITTEN CONSENT OF SAMTEC, INC.

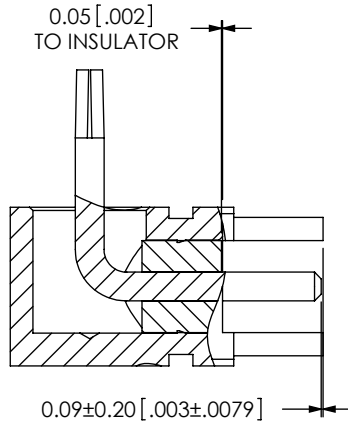
**samtec**  
520 PARK EAST BLVD, NEW ALBANY, IN 47150  
PHONE: 812-944-6733 FAX: 812-948-5047  
e-Mail: info@SAMTEC.com code: 55322

MATERIAL: DO NOT SCALE DRAWING SHEET SCALE: 3:1  
SHELL, BODY: BRASS  
INSULATOR: PTFE  
SOCKET: BeCu

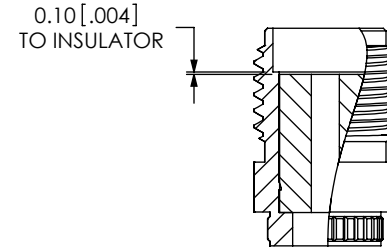
DESCRIPTION: SMA RIGHT ANGLE, JACK- 50 OHM  
DWG. NO. SMA-J-P-X-RA-TH1



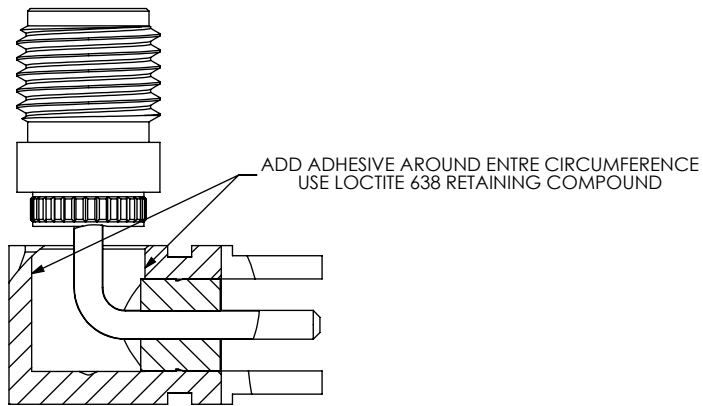
IN-PROCESS 1  
INSERT INSULATOR 1



IN-PROCESS 2  
INSERT INTO BODY



IN-PROCESS 3  
ADD INSULATOR 2 TO SHELL



IN-PROCESS 4  
ADD ADHESIVE TO BODY

F:\DWG\MISC\MKTG\SMA-J-P-X-RA-TH1-MKT.SLDDRW

**PROPRIETARY NOTE**  
THIS DOCUMENT CONTAINS INFORMATION CONFIDENTIAL AND PROPRIETARY TO SAMTEC, INC. AND SHALL NOT BE REPRODUCED OR TRANSFERRED TO OTHER DOCUMENTS OR DISCLOSED TO OTHERS OR USED FOR ANY PURPOSE OTHER THAN THAT WHICH IT WAS OBTAINED WITHOUT THE EXPRESSED WRITTEN CONSENT OF SAMTEC, INC.

DO NOT SCALE DRAWING

SHEET SCALE: 3:1



520 PARK EAST BLVD, NEW ALBANY, IN 47150  
PHONE: 812-944-6733 FAX: 812-948-5047  
e-Mail: info@SAMTEC.com code: 55322

DESCRIPTION: SMA RIGHT ANGLE, JACK- 50 OHM

DWG. NO. SMA-J-P-X-RA-TH1

BY: R MUSSER 01/28/2008 SHEET 2 OF 2