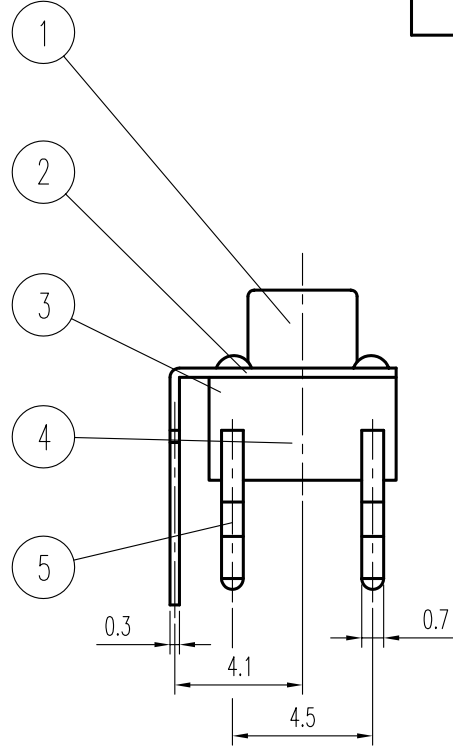
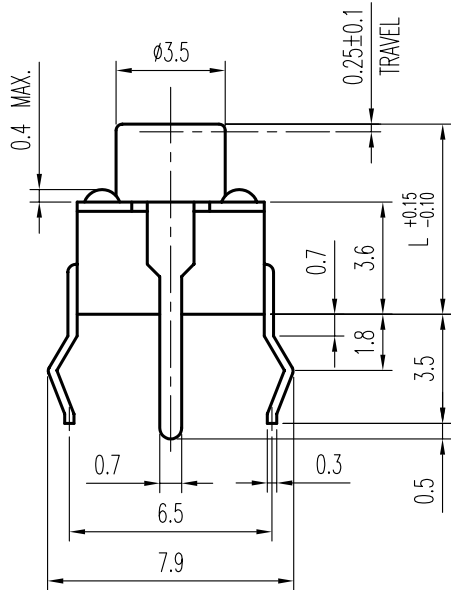


Ⓚ

FORCE (gf)		KNOB COLOUR
H	100 ±30	WHITE
0	130 ±30	GREY
1	160 ±30	BLACK

L	
A	4.3
B	5
C	7
D	9.5
E	8



1P - 1T

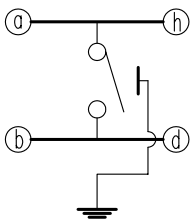
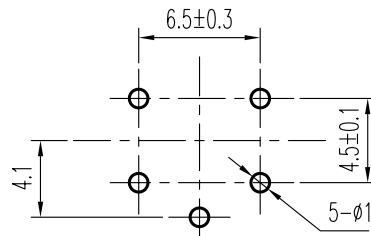


示意图 SCHEMATIC



安装孔 PIERCING PLAN

Ⓚ

Ⓚ 规格 Specifications

额定负荷 Ratings	DC 12 v 50 mA
初期接触电阻 Initial Contact Resistance	100mΩ Max.
绝缘电阻 Insulation Resistance	DC 100 V 60 Sec. 100 MΩ Min.
抗电强度 Dielectric	AC 250 V (50~60HZ) 60 Sec.

操作力 Operating Force(gf)	操作力见上表
负荷寿命 Operating Life With Load	100,000 次 Cycles

序NO.	零件 PART	材料 MATERIAL	数量 QTY	备注 REMARKS	DWG NO.	ITEM1145
5	端子 TERMINAL	C2680R	4	Ag PLATED	A01	取消250±50(gf)操作力规格见Ⓚ 修改零件列表见Ⓚ 增加规格栏见Ⓚ
4	弹片 CONTACT PLATE	C5210R	1	Ag CLAD		
3	胶壳 HOUSING	PBT	1	BLACK		
2	盖片 COVER	SPTe	1	NATURAL	03	
1	胶柄 KNOB	PBT	1	见上表	标号 REV	内容 DESCRIPTION
					签名 SIGN.	日期 DATE

TOLERANCES UNLESS OTHERWISE SPEC.		TITLE	TACT SWITCH		ITEM NO	RS-044R	
UNDER 1	± 0.10	DRAWN	曹文斌	06-04-27	VERSION	A01	PAGE 1 OF 1
1 - 10	± 0.30	REVIEWED	张念明	06-04-28	SCALE		UNIT mm
OVER 10	± 0.50	APPROVED	林高全	06-04-28	PROJECTION		

**COMAX** ELECTRONICS (HUIZHOU) CO.,LTD.