



E

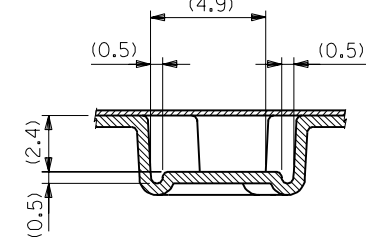
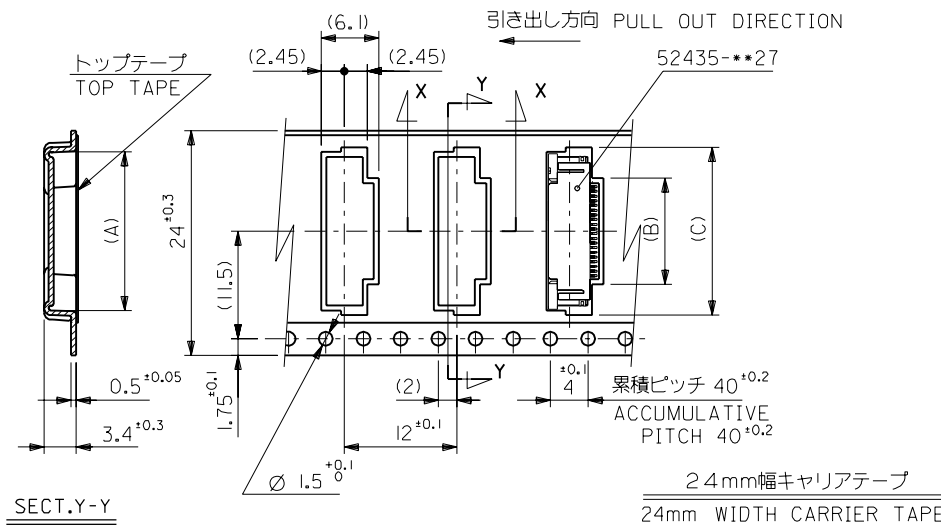
D

C

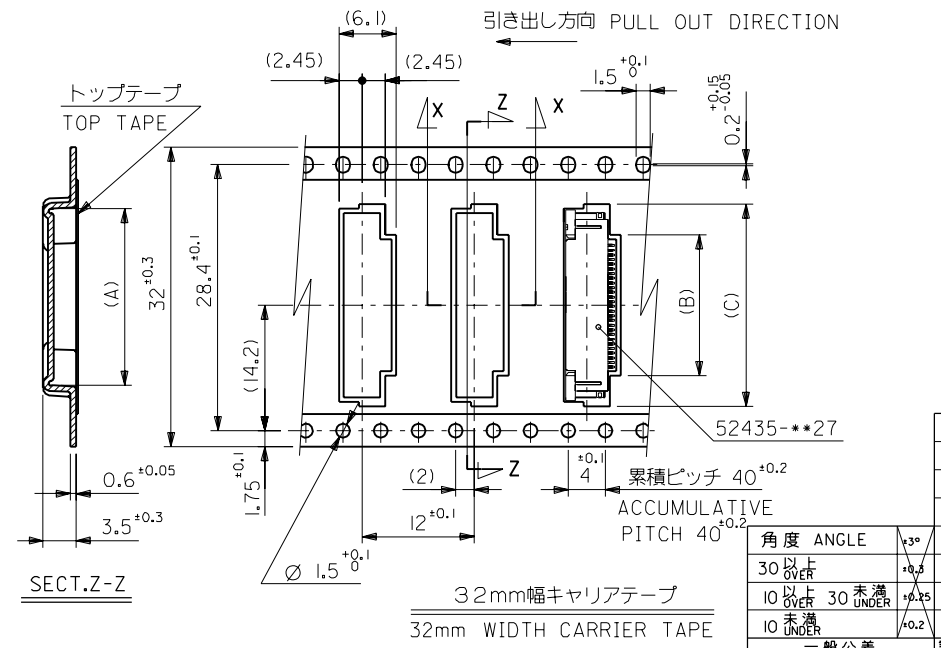
B

A

MM DIMENSIONS IN METRIC DO NOT SCALE DRAWING



SECT.X-X



32	33.5	22.4	15.8	21.4	52435-2991	29				
		21.9	15.3	20.9	-2891	28				
		21.4	14.8	20.4	-2791	27				
		20.9	14.3	19.9	-2691	26				
		20.4	13.8	19.4	-2591	25				
		19.9	13.3	18.9	-2491	24				
		19.4	12.8	18.4	-2391	23				
		18.9	12.3	17.9	-2291	22				
		17.9	11.3	16.9	-2091	20				
		17.4	10.8	16.4	-1991	19				
24	25.5	16.9	10.3	15.9	-1891	18				
		16.4	9.8	15.4	-1791	17				
		15.9	9.3	14.9	-1691	16				
		15.4	8.8	14.4	-1591	15				
		14.9	8.3	13.9	-1491	14				
		14.4	7.8	13.4	-1391	13				
		13.9	7.3	12.9	-1291	12				
		13.4	6.8	12.4	-1191	11				
		12.9	6.3	11.9	-1091	10				
		12.4	5.8	11.4	-0991	9				
11.9	5.3	10.9	-0891	8						
11.4	4.8	10.4	-0791	7						
10.9	4.3	9.9	52435-0691	6						
キャリアテープ幅 CARRIER TAPE WIDTH					D	(C)	(B)	(A)	ENG. NO.	極致 CIRCUIT

F	変更 REVISED	電 ELECTRICAL	(JC2001-0458)	S.K.	00/12/15
E	変更 REVISED	電 ELECTRICAL	(J41005)	T.A.	94/12/13
D	変更 REVISED	電 ELECTRICAL	(J40900)	T.A.	94/11/11
C	変更 REVISED	電 ELECTRICAL	(J30060)	S.K.	93/1/25
B	変更 REVISED	電 ELECTRICAL	(J20834)	S.K.	92/9/14
A	変更 REVISED	電 ELECTRICAL	(J20554)	S.K.	92/7/16
O	新規作成 PROPOSED	電 ELECTRICAL	(J10236)	S.K.	91/3/29
角度 ANGLE	±3°				
30°以上 OVER	±0.5				
10°以上 30°未満 UNDER	±0.25				
10°未満 UNDER	±0.2				
一般公差 GENERAL TOLERANCES	記号 LTR	変更内容 REVISION RECORD	DR.	日付 DATE	CHK.

材料 MATERIAL SHEET 1 OF 3 参照  
REFER TO SHEET 1 OF 3

仕上り FINISH ---

適用電線範囲 WIRE RANGE ---

被覆外径 INS. RANGE ---

DRAWN BY 91/3/29 S.KAJINUMA  
CHK'D BY 00/12/20 S.KUNISHI

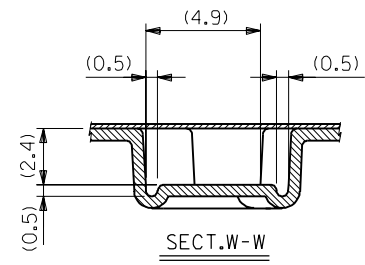
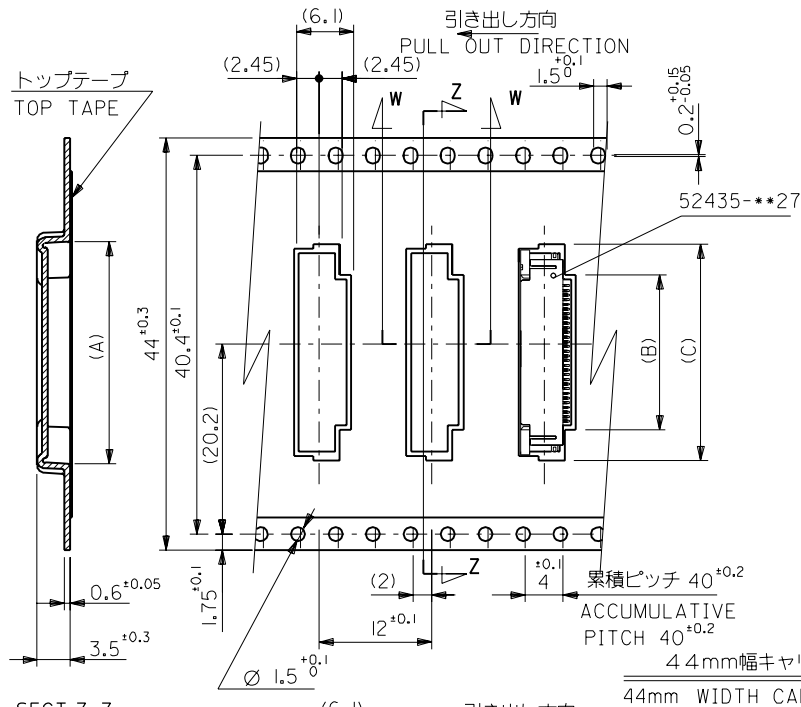
APP'D BY 00/12/20 M.FUKUSHIMA  
SCALE ---

**molex** MOLEX-JAPAN CO.,LTD.  
日本モレックス株式会社

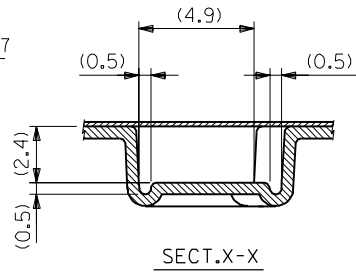
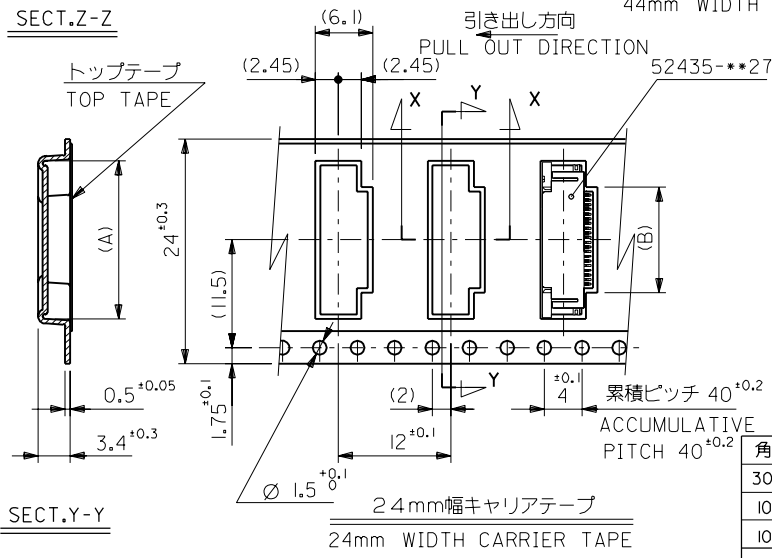
REVISE ONLY ON CAD SYSTEM

TITLE 名称  
0.5 FPC Conn ZIF  
SMT R/A  
With Tape Embstp Pkg

DWG. NO. (SHEET 2 OF 3) REV  
SD-52435-\*\*\*91 F



44	45.5	22.9	16.3	21.9	52435-3091	30
キャリアテープ幅 CARRIER TAPE WIDTH	D	(C)	(B)	(A)	ENG. NO.	極数 CIRCUIT



24	25.5	11.8	17.4	52435-2191	21
キャリアテープ幅 CARRIER TAPE WIDTH	D	(B)	(A)	ENG. NO.	極数 CIRCUIT

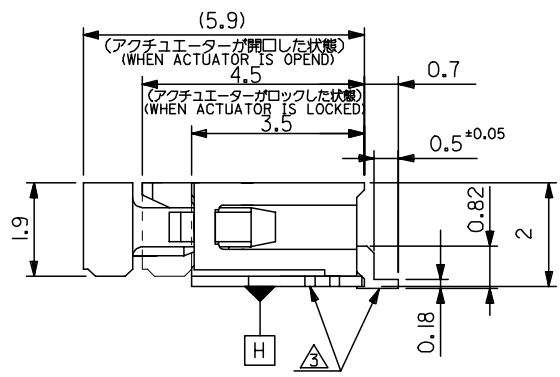
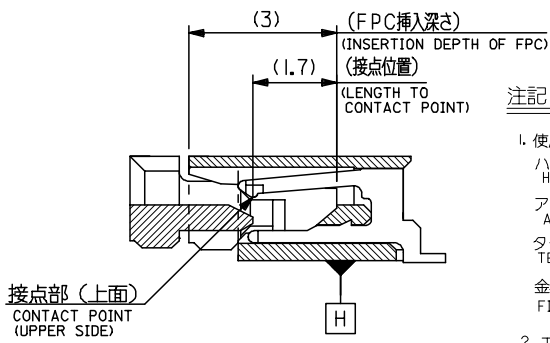
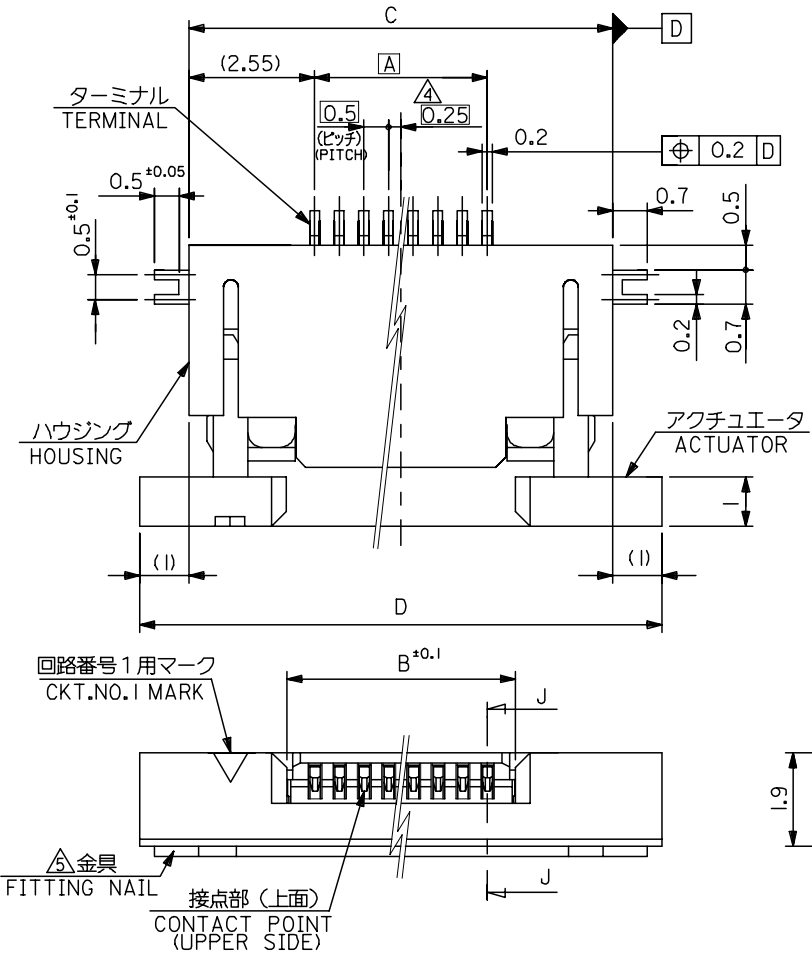
材料 MATERIAL	SHEET 1 OF 3 参照 REFER TO SHEET 1 OF 3	
F 変更 REVISED	UC2001-0458	100/12/15
E 変更 REVISED	(J41005)	194/12/13
D 変更 REVISED	(J40900)	194/11/11
C 変更 REVISED	(J30060)	193/11/25
B 変更 REVISED	(J20834)	192/9/14
A 変更 REVISED	(J20554)	192/7/16
角度 ANGLE	±3°	
30以上 OVER	±0.5	
10以上 30未満 UNDER	±0.25	
10未満 UNDER	±0.2	
一般公差 GENERAL TOLERANCES	記号 LTR	変更内容 REVISION RECORD
	DR.	日付 DATE
	CHK.	尺度 SCALE

molex	MOLEX-JAPAN CO.,LTD. 日本モレックス株式会社	
	REVISE ONLY ON CAD SYSTEM	
TITLE 名称 0.5 FPC Conn ZIF SMT R/A With Tape Embstp Pkg		
DWG. NO. (SHEET 3 OF 3) REV SD-52435-***91 F		

DIMENSIONS IN METRIC DO NOT SCALE DRAWING

:MM

5949920.335

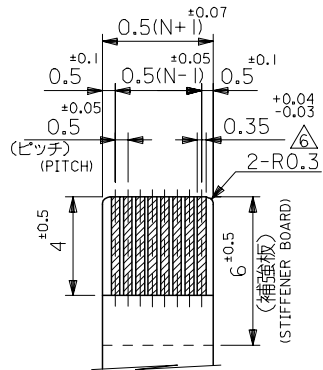


注記 NOTES

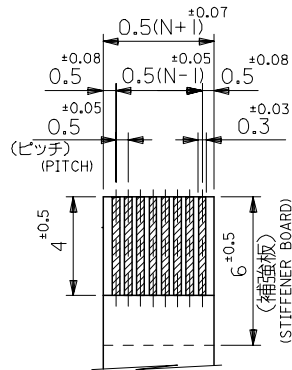
- 使用材料 : MATERIAL  
 ハウジング : 46ナイロン, UL94V-0 46NYLON  
 アクチュエータ : PPS, UL94V-0 ACTUATOR  
 ターミナル : リン青銅, 半田メッキ (t=0.2) PHOS-BRO.TIN-LEAD  
 金具 : リン青銅, 半田メッキ (t=0.2) FITTING NAIL PHOS-BRO.TIN-LEAD
- エンボステープ梱包時は、アクチュエータがロックした状態とする。  
 IN THE PACKAGE, ACTUATOR OF PART NO.52435-\*\*-27 SHOULD BE LOCKED.
- △ ソルダータール半田付け面のズレ量、及び金具半田付け面のズレ量は、基準面 H に対し上方向 0.1 MAX. , 下方向 0.15MAX. とする。  
 MISALIGNMENT OF SOLDER TAILS AND FITTING NAILS FROM H UPPER DIRECTION: 0.1 MAX. , LOWER DIRECTION: 0.15MAX.
- △ 偶数極に適用。  
 APPLY FOR EVEN CIRCUIT.
- △ パターンはくり止め用金具。  
 FITTING NAIL FOR PREVENTION OF PEELING OF P.C.B. PATTERN.
- △ R.O. 3は、FPCの導体部にかからないこと。  
 R.O.3 MUST NOT BE OVERLAPPED TO PATTERN OF FPC.
- ソルダータールの平坦度は、0.1 MAXIMUM とする。  
 SOLDER TAIL COPLANARITY IS 0.1 MAXIMUM.

MODEL NO. 52435-\*\*-27

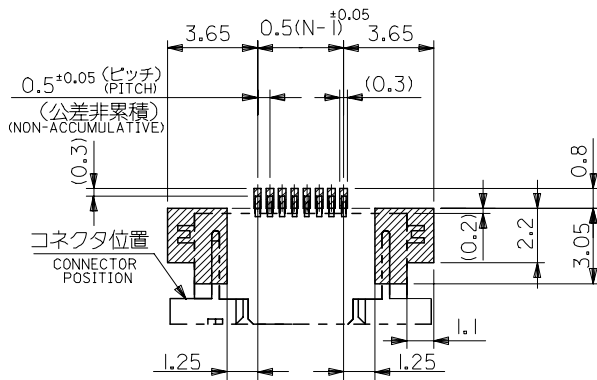
REVISED EC NO.: J2005-3592 DRAWN: SUZUKI 2005/06/13 CHKD: KTOYODA 2005/06/13 APPR: NUKITA 2005/06/13 DESCRIPTION REV	GENERAL TOLERANCES (UNLESS SPECIFIED)		DIMENSION STYLE MM ONLY		SCALE ---	DESIGN UNITS METRIC	THIRD ANGLE PROJECTION	
	10 UNDER	±0.2	DRAWN BY SKAJI NUMA	DATE 9/1/10/31	TITLE 0.5 FPC CONN ZIF FOR SMT R/A (UPPER CONTAT)			
	10 OVER 30 UNDER	±0.25	CHECKED BY MFUKUSHIMA	DATE 9/7/07/15	APPROVED BY MFUKUSHIMA 9/7/07/15			
	30 OVER	±0.3	MATERIAL NO. SEE CHART		DOCUMENT NO. SD-52435-018		SHEET NO. 1 OF 2	
	ANGULAR ±3 °		DRAFT WHERE APPLICABLE MUST REMAIN WITHIN DIMENSIONS		MOLEX MOLEX INCORPORATED			



適合FPC推奨寸法  
APPLICABLE FPC  
RECOMMENDED DIMENSION.  
(仕上がり厚さ: 0.3 ± 0.05)  
(THICKNESS: 0.3 ± 0.05)



適合FFC推奨寸法  
APPLICABLE FFC  
RECOMMENDED DIMENSION.  
(仕上がり厚さ: 0.3 ± 0.05)  
(THICKNESS: 0.3 ± 0.05)



参考基板レイアウト  
(マウント面)  
RECOMMENDED P.C. BOARD  
PATTERN DIMENSION (REF.)  
(MOUNTING SIDE)

21.6	19.6	15.65	14.5	52435-3027	30
21.1	19.1	15.15	14.0	-2927	29
20.6	18.6	14.65	13.5	-2827	28
20.1	18.1	14.15	13.0	-2727	27
19.6	17.6	13.65	12.5	-2627	26
19.1	17.1	13.15	12.0	-2527	25
18.6	16.6	12.65	11.5	-2427	24
18.1	16.1	12.15	11.0	-2327	23
17.6	15.6	11.65	10.5	-2227	22
17.1	15.1	11.15	10.0	-2127	21
16.6	14.6	10.65	9.5	-2027	20
16.1	14.1	10.15	9.0	-1927	19
15.6	13.6	9.65	8.5	-1827	18
15.1	13.1	9.15	8.0	-1727	17
14.6	12.6	8.65	7.5	-1627	16
14.1	12.1	8.15	7.0	-1527	15
13.6	11.6	7.65	6.5	-1427	14
13.1	11.1	7.15	6.0	-1327	13
12.6	10.6	6.65	5.5	-1227	12
12.1	10.1	6.15	5.0	-1127	11
11.6	9.6	5.65	4.5	-1027	10
11.1	9.1	5.15	4.0	-0927	9
10.6	8.6	4.65	3.5	-0827	8
10.1	8.1	4.15	3.0	-0727	7
9.6	7.6	3.65	2.5	52435-0627	6

MODEL NO.	52435-***27	D	C	B	(A)	MATERIAL NO.	極致 CKT.
-----------	-------------	---	---	---	-----	--------------	------------

REVISED EC NO: J2005-3592 DRAWN: SUZUKI 2005/06/13 CHYKD: TOYODA 2005/06/13 APPR: NUKITA 2005/06/13 REV DESCRIPTION	GENERAL TOLERANCES (UNLESS SPECIFIED)		DIMENSION STYLE MM ONLY		SCALE ---	DESIGN UNITS METRIC	THIRD ANGLE PROJECTION
	10 UNDER	±0.2	DRAWN BY SKAJINUMA	DATE 91/10/31	TITLE 0.5 FPC CONN ZIF FOR SMT R/A (UPPER CONTAT)		
	10 OVER 30 UNDER	±0.25	CHECKED BY MFUKUSHIMA	DATE 97/07/15			
	30 OVER	±0.3	APPROVED BY MFUKUSHIMA	DATE 97/07/15	MOLEX INCORPORATED DOCUMENT NO. SD-52435-018 SHEET NO. 2 OF 2		
	ANGULAR	±3 °	MATERIAL NO.	SEE CHART			
DRAFT WHERE APPLICABLE MUST REMAIN WITHIN DIMENSIONS		SIZE A3	THIS DRAWING CONTAINS INFORMATION THAT IS PROPRIETARY TO MOLEX INCORPORATED AND SHOULD NOT BE USED WITHOUT WRITTEN PERMISSION				