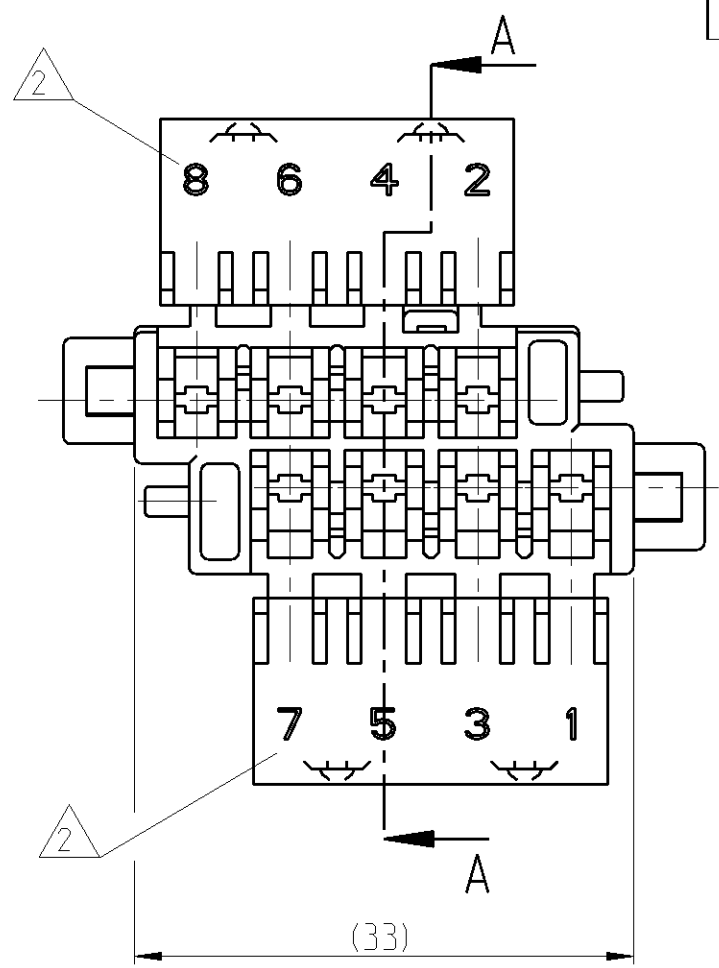
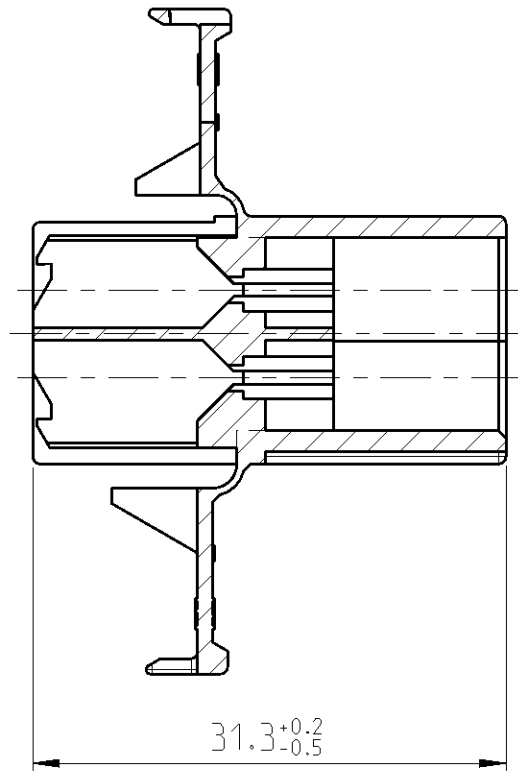
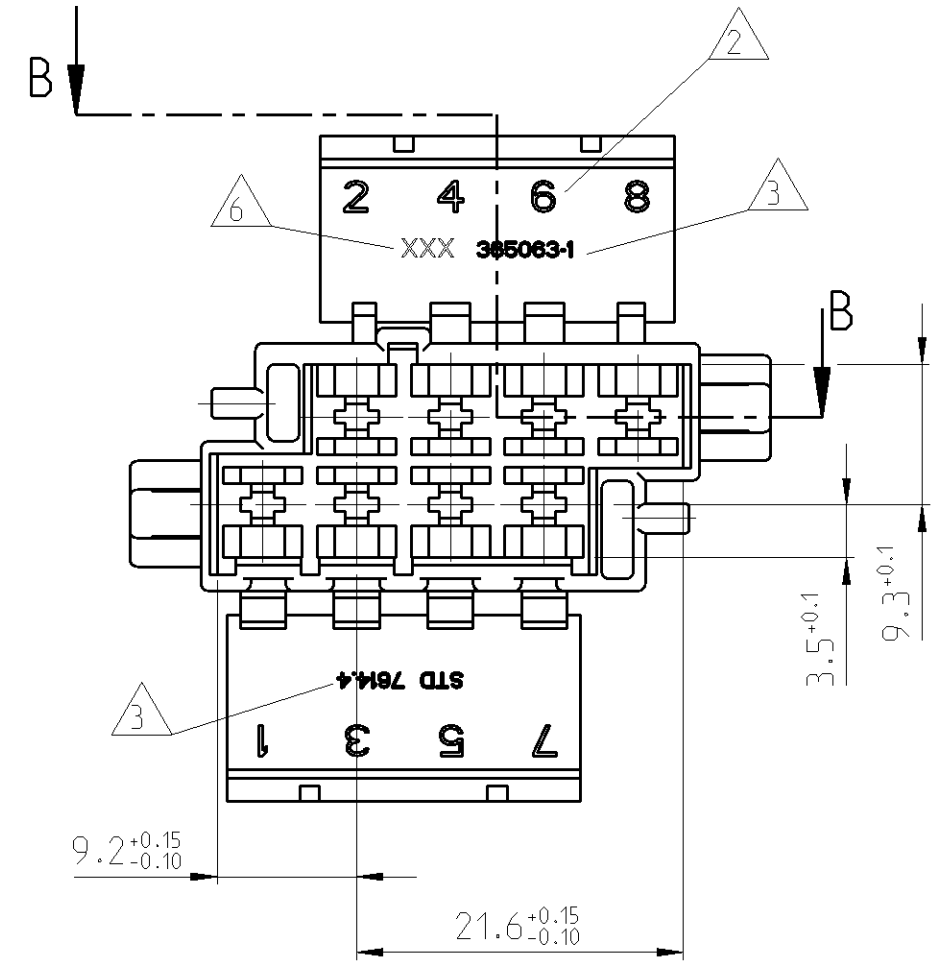


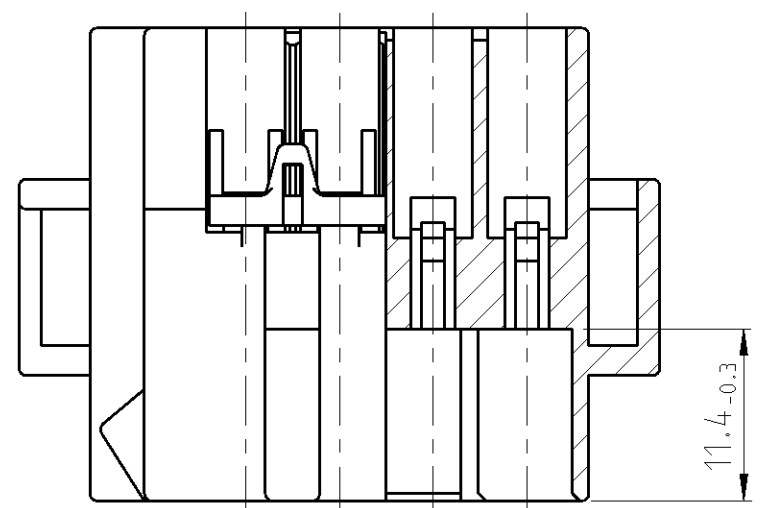
THIS DRAWING IS UNPUBLISHED. RELEASED FOR PUBLICATION 2011
 © COPYRIGHT 2011 ALL RIGHTS RESERVED.

REVISIONS				DATE	DWN	APVD
P	LTR	DESCRIPTION				
F3		TE Logo changed. Note 6 added	28JAN2013	Ho.	Schin	

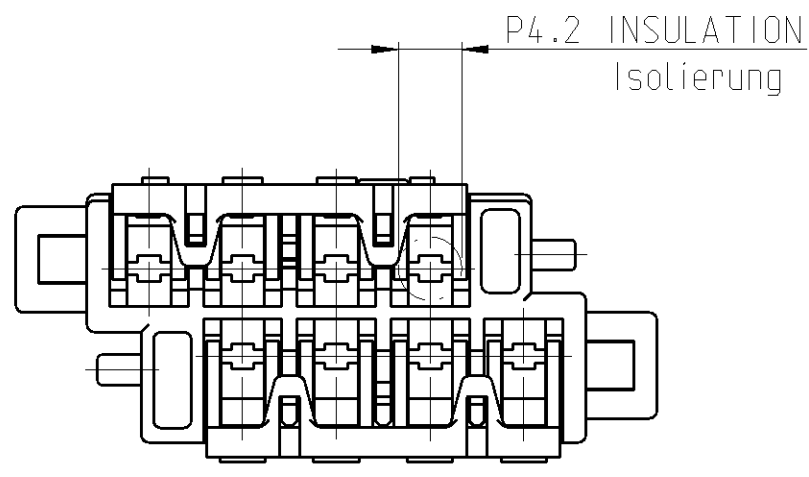
SECTION A-A
Schnitt



SECTION B-B
Schnitt



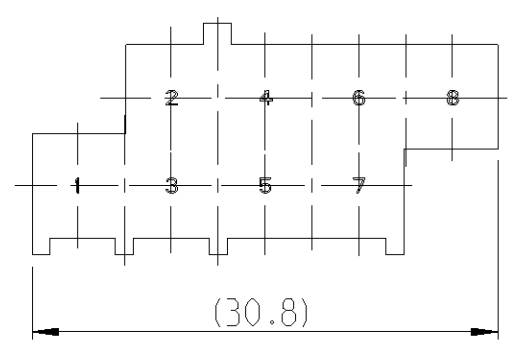
HOUSING WITH CLOSED FLAP
Gehäuse mit geschlossener Klappe



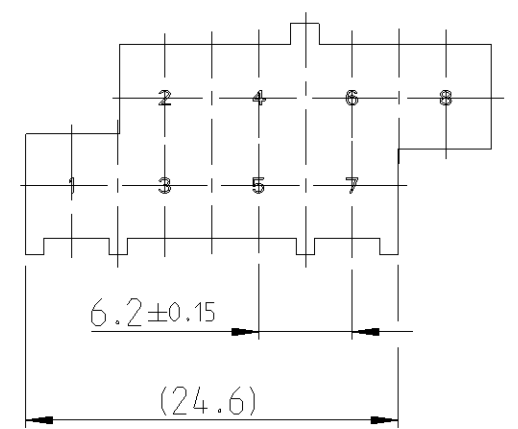
NOTES
Bemerkung

- MATERIAL AND COLOURS ARE FREE OF CADMIUM
Material und Farbbatch muss cadium frei sein
- CHARACTER HEIGHT 2
Schrifthöhe 2
- CHARACTER HEIGHT 1
Schrifthöhe 1
- FITTING WITH 365064
Passend zu 365064
- PARTS MUST BE AIR TIGHT PACKAGED,
MOISTURE CONTENT MUST BE 2.5±1%
Teile müssen luftdicht verpackt sein,
die Feuchte muss 2.5±1% betragen.
- Logo acc. to TE Spec TEC-202-36, 0.15 raised
Firmenlogo entsprechend TE Spec TEC-202-36; 0.15 erhaben

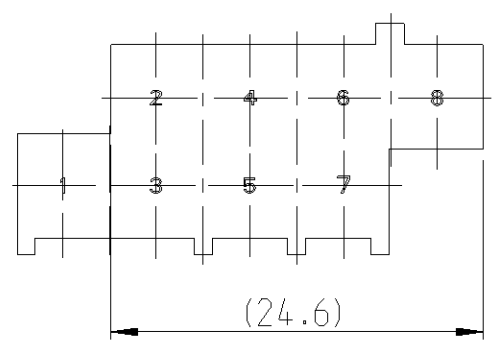
CODING 1
Kodierung



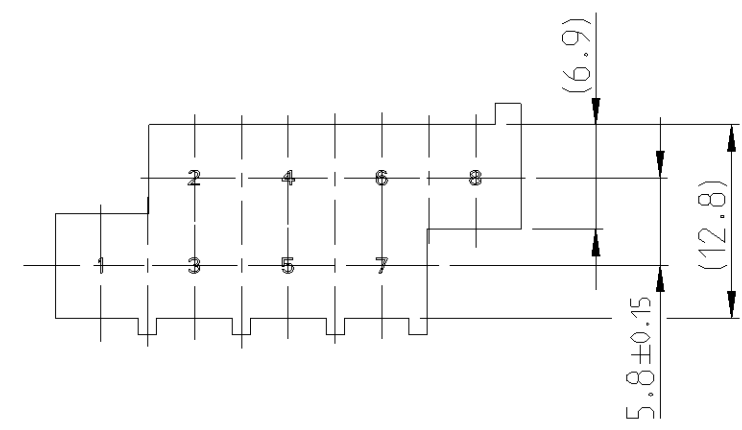
CODING 2
Kodierung



CODING 3
Kodierung



CODING 4
Kodierung



Code No.	Part Number	Material	Finish / Colour
CODE 4	365063-4	PA 6.6	YELLOW
CODE 3	365063-3	PA 6.6	BLACK
CODE 2	365063-2	PA 6.6	GREY
CODE 1	365063-1	PA 6.6	NATUR

THIS DRAWING IS A CONTROLLED DOCUMENT.		DWN R. ULLRICH 19NOV1984	TE TE Connectivity	
DIMENSIONS: mm		CHK J. PASCUAL 15JUN1993		
TOLERANCES UNLESS OTHERWISE SPECIFIED:		APVD L. BATLLO 15JUN1993	NAME 8 POS. TAB-HOUSING	
0 PLC ± ±0.2		PRODUCT SPEC -	SIZE CAGE CODE DRAWING NO RESTRICTED TO	
1 PLC ± ±0.2		APPLICATION SPEC -	A2 00779 C-365063	
2 PLC ± ±0.2		WEIGHT -	SCALE 2:1 SHEET 1 OF 1 REV F3	
3 PLC ± ±0.2		Customer Drawing		
4 PLC ± ±0.2				
ANGLES FINISH				
SEE PART LIST				