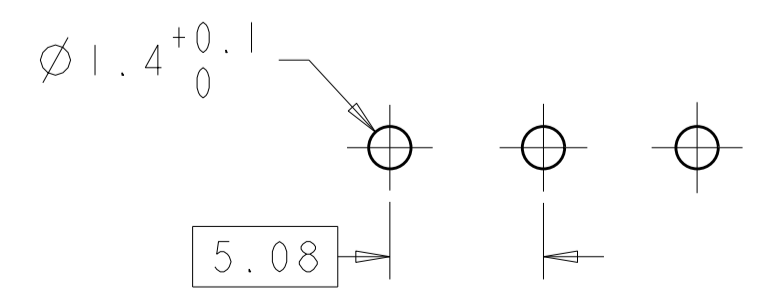
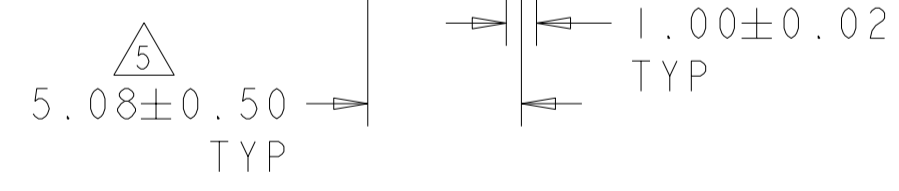
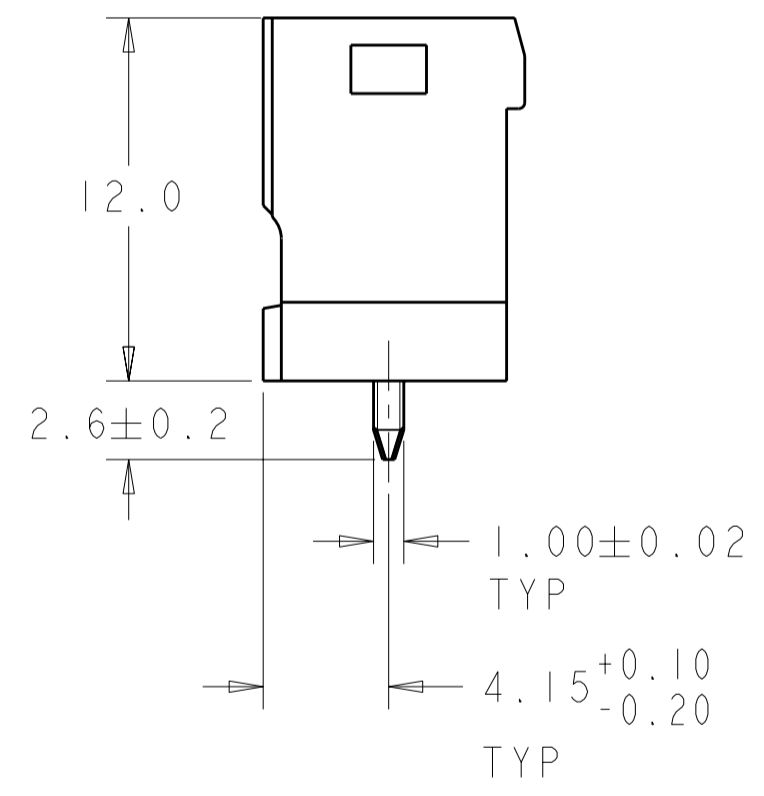
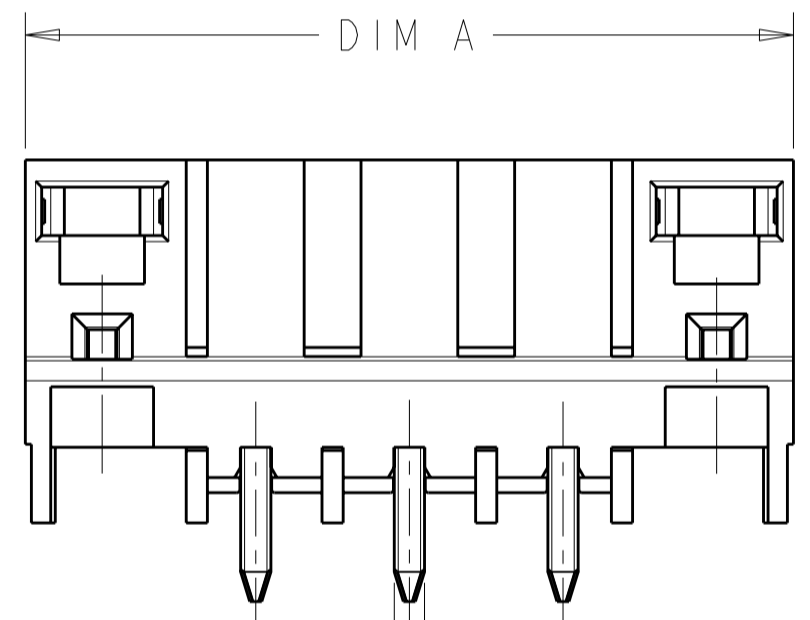
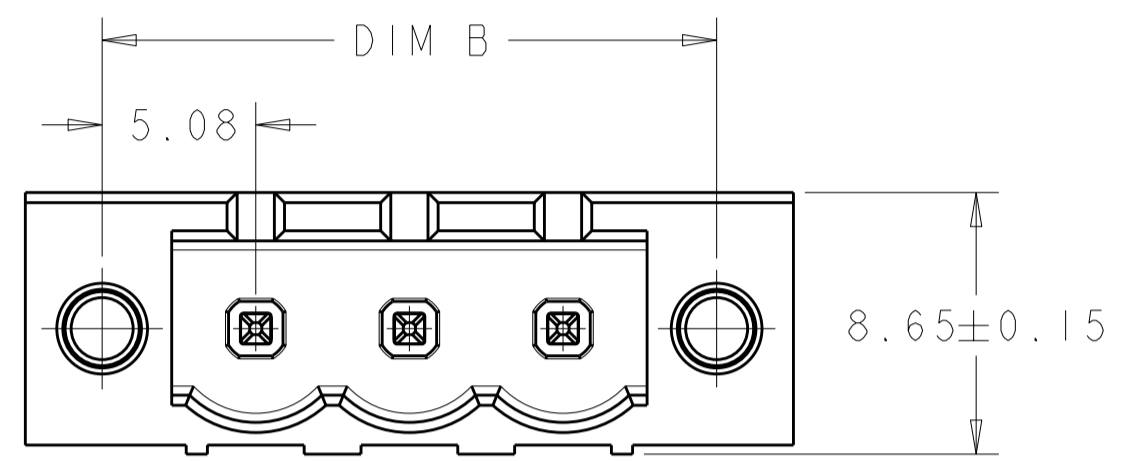


THIS DRAWING IS UNPUBLISHED. RELEASED FOR PUBLICATION 20
 © COPYRIGHT 20 BY TYCO ELECTRONICS CORPORATION. ALL RIGHTS RESERVED.

LOC	DIST	REVISIONS			
P	LTR	DESCRIPTION	DATE	DWN	APVD
FT	0				
	1	-	10DEC2008	SS	CR



RECOMMENDED PC BOARD LAYOUT

- 1. MATERIALS:
 HOUSING: PA 6-6, UL 94V-0, COLOR: DK GRAY
 TERMINAL: PHOSPHOR BRZ, TIN PLATED
- 2. SUITABLE FOR 1.6-2.4mm PC BOARD THICKNESS.
- 3. RECOGNIZED UNDER THE COMPONENT PROGRAM OF UNDERWRITERS LABORATORIES INC. FILE NO. E60677.
- 4. IMQ CERTIFICATE WITH SURVEILLANCE ON CONFORMITY WITH IEC 998-1/998-2-1.
- 5. NOT CUMULATIVE TOLERANCE.
- 6. TE LOGO TO APPEAR ON HOUSING, LOCATION OPTIONAL WHERE SPACE PERMITS.
- 7. STANDARD PACKAGE.
- 8. TAPE AND REEL PACKAGE.

THIS PRINT IS
PRELIMINARY
 THE INFORMATION CONTAINED IN THIS DOCUMENT IS CONFIDENTIAL AND PROPRIETARY TO TYCO ELECTRONICS
 DO NOT REPRODUCE OR DISTRIBUTE
 DESIGN IS SUBJECT TO CHANGE WITHOUT NOTICE

8	20.32	25.40	3	2-1986486-3
7	20.32	25.40	3	1986486-3
NOTES	DIM B	DIM A	NO OF POS	PART NUMBER

DIMENSIONS:		TOLERANCES UNLESS OTHERWISE SPECIFIED:		DWN		Tyco Electronics	
mm		0 PLC	±	S. SCHLEGEL	10DEC2008	Harrisburg, PA 17105-3608	
		1 PLC	±0.3	CHK	10DEC2008	NAME	
		2 PLC	±0.25	C. RICHARD	10DEC2008	TERMINAL BLOCK HEADER ASSY, VERTICAL W/ LOCKING SCREW, FLG 5.08mm HIGH TEMP	
		3 PLC	±0.000	APVD	10DEC2008	SIZE	CAGE CODE
		4 PLC	±0.0000	C. RICHARD		A200779	C=1986486
		ANGLES	±2°	PRODUCT SPEC		DRAWING NO	RESTRICTED TO
		FINISH		APPLICATION SPEC			
MATERIAL				WEIGHT			
				CUSTOMER DRAWING		SCALE	SHEET OF REV