

## Si5350/51 EVALUATION BOARD USER'S GUIDE

### Description

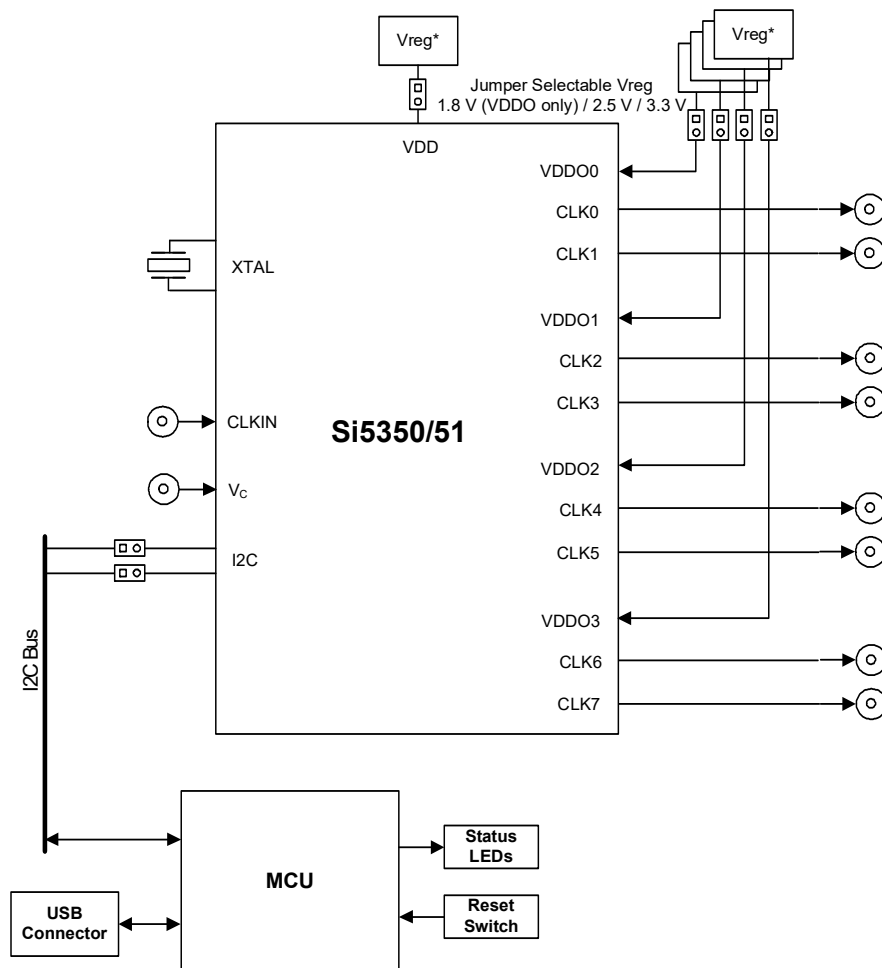
The Si535x-B20QFN-EVB is used for evaluating the Si5350/51 any-frequency, 0.0025–200 MHz CMOS clock generator + VCXO.

The pre-soldered 20-QFN device can be configured using ClockBuilder Pro to emulate all available Si5350/51 package options, including 10-MSOP, 16-QFN, and 20-QFN.

### Features

- **ClockBuilder Pro** configurable, allowing quick frequency plan analysis
- Fully-powered from a single USB port
- Onboard 27 MHz crystal for asynchronous operation
- SMA and test point hook for interfacing to an external clock reference
- Jumper-selectable VDD and VDDOx allows device to operate at 1.8 V (VDDO only), 2.5, or 3.3 V
- Voltage supply jumpers provide easy access for use with external supplies

### Functional Block Diagram



# Si535x-B20QFN-EVB

## 1. Functional Block Diagram

Figures 1 and 2 highlight the main features of the EVB. The onboard MCU is responsible for programming the Si535x timing IC, measuring the device's current consumption reported in the ClockBuilder™ Pro EVB GUI, managing power, and controlling status LEDs. VDD and VDDO jumpers allow the option of choosing between 1.8 (VDDO only), 2.5, and 3.3 V or powering the device with external supplies (see Section “2. Jumpers” for details). I<sup>2</sup>C jumpers allow the Si535x to be disconnected from the I<sup>2</sup>C bus, allowing external control from another I<sup>2</sup>C master.

The Si5350 device on this board is a hybrid of the Si5350/51 A, B, and C variants. It can be configured to emulate a 10-MSOP, 16-QFN, or 20-QFN device. It can run in stand-alone asynchronous mode (Si5350/51A) using the onboard 27 MHz XTAL (Y1), or it can be synchronized to an external clock using the CLKIN SMA connector or test points (Si5350/51C). It can also accept a V<sub>C</sub> input when in VCXO (Si5350/51B) mode.

**Note:** EVBs labeled "REV 1.1" or "REV 1.2" are populated with rev A devices.

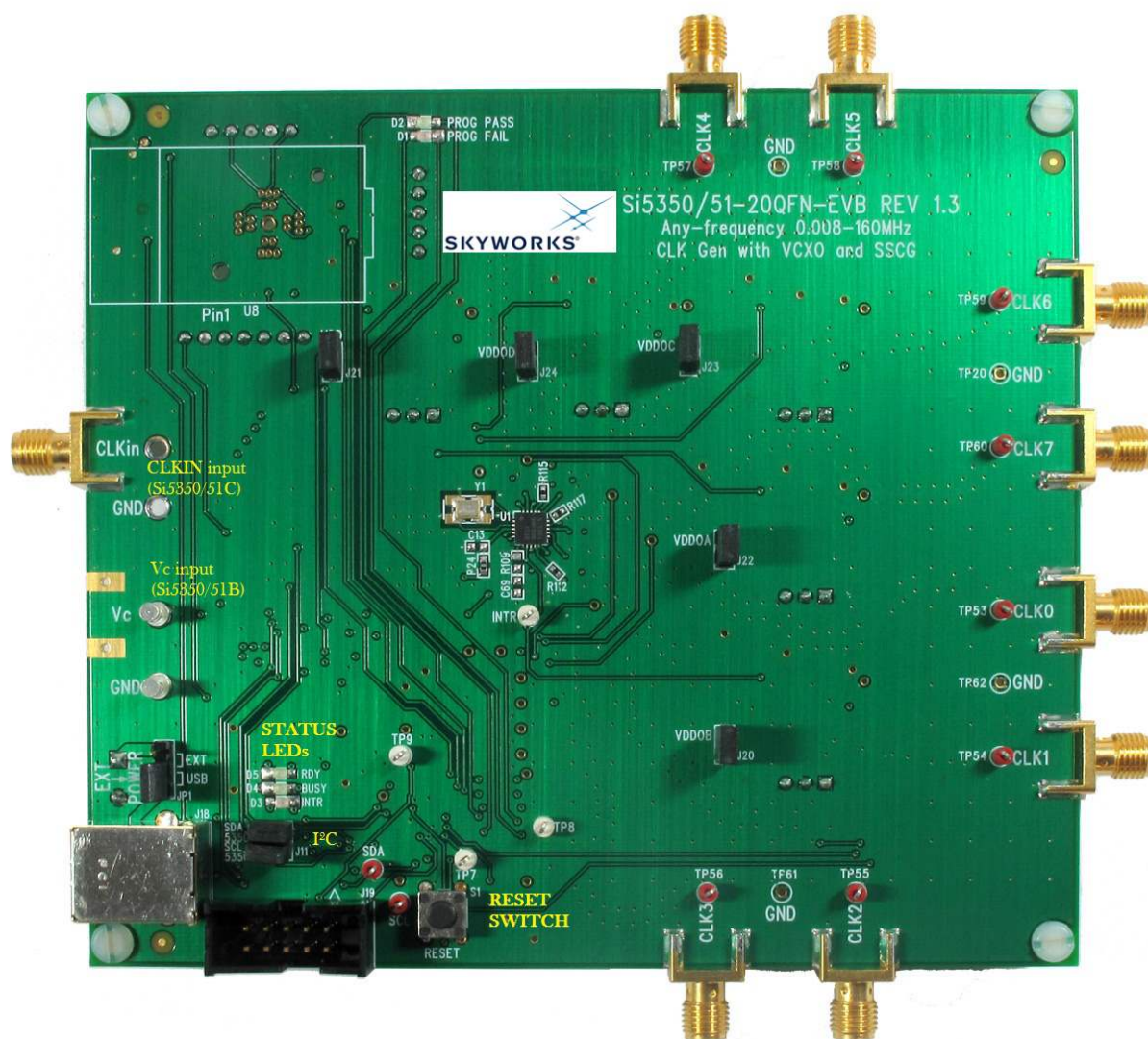


Figure 1. EVB Features (Front)

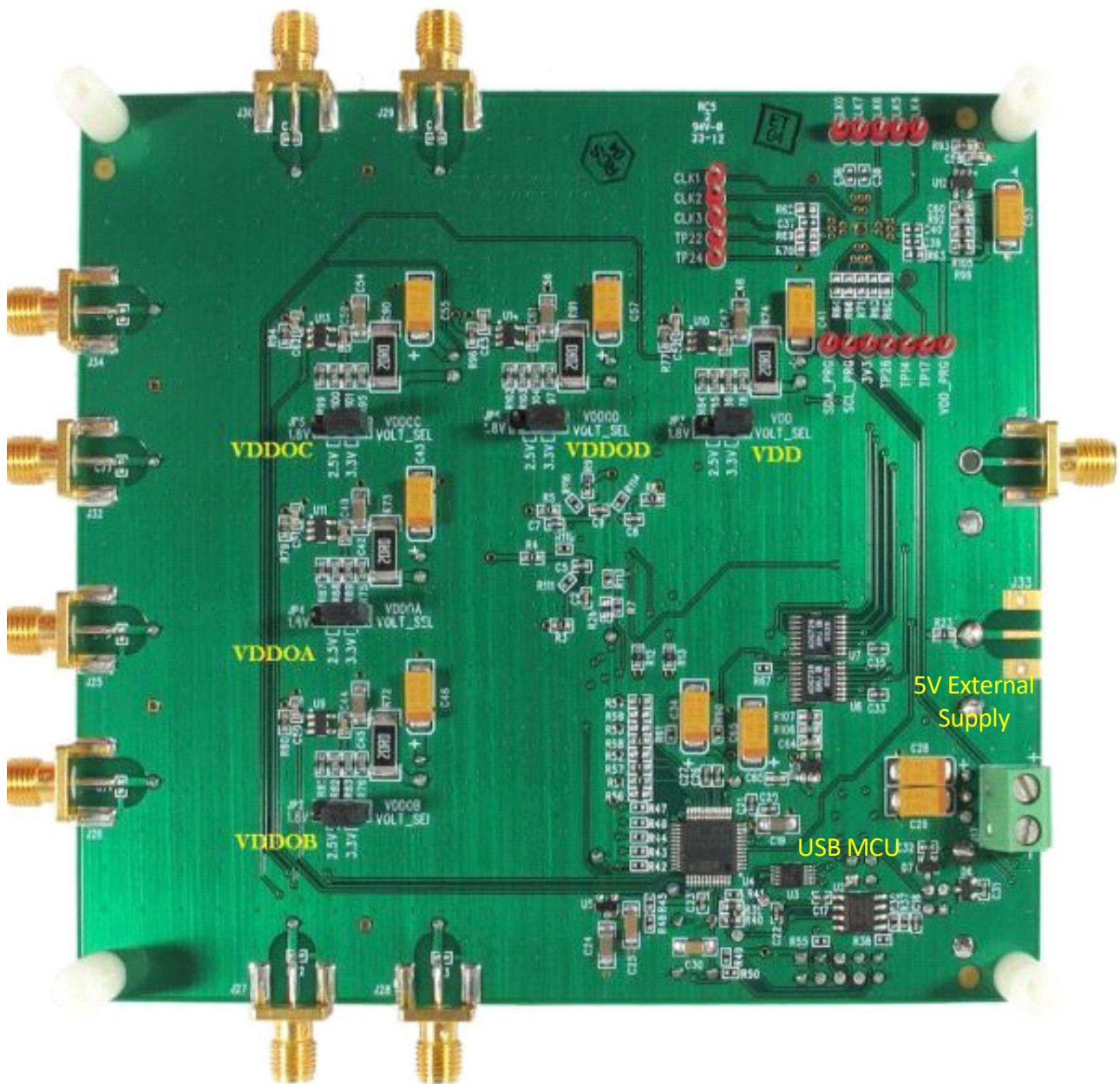


Figure 2. EVB Features (Back)



# Si535x-B20QFN-EVB

---

## 2. Jumpers

The following jumpers are available on the evaluation board:

- **VDD**—Connects the Si5350/51 pin to the VDD voltage regulator (normally installed).
- **VDD VOLT\_SEL**—Allows user to select a VDD voltage of 2.5 V or 3.3 V (default 3.3 V).
- **VDDOA**—Connects the Si5350/51 pin to the VDDOA voltage regulator (normally installed).
- **VDDOA VOLT\_SEL**—Allows user to select a VDDOA voltage of 1.8 (jumper removed), 2.5, or 3.3 V (default).
- **VDDOB**—Connects the Si5350/51 pin to the VDDOB voltage regulator (normally installed).
- **VDDOB VOLT\_SEL**—Allows user to select a VDDOB voltage of 1.8 (jumper removed), 2.5, or 3.3 V (default).
- **VDDOC**—Connects the Si5350/51 pin to the VDDOC voltage regulator (normally installed).
- **VDDOC VOLT\_SEL**—Allows user to select a VDDOC voltage of 1.8 (jumper removed), 2.5, or 3.3 V (default).
- **VDDOD**—Connects the Si5350/51 pin to the VDDOD voltage regulator (normally installed).
- **VDDOD VOLT\_SEL**—Allows user to select a VDDOD voltage of 1.8 (jumper removed), 2.5, or 3.3 V (default).
- **SCL**—Connects the Si5350/51 SCL pin to the I<sup>2</sup>C bus from the MCU. Removing the jumper breaks the connection to the MCU and allows the user to feed in an external I<sup>2</sup>C signal to the device.
- **SDA**—Connects the Si5350/51 SDA pin to the I<sup>2</sup>C bus from the MCU. Removing the jumper breaks the connection to the MCU and allows the user to feed in an external I<sup>2</sup>C signal to the device.
- **EXT POWER**—Allows user to select between 5 V USB supply and 5 V external supply on J17. See Figure 1 for jumper locations.

## 3. Status LEDs

There are three status LEDs on the evaluation board:

- **RDY (Green)**—Indicates that the EVB is operating normally. This LED should always be on.
- **BUSY (Green)**—Indicates that the on-board MCU is communicating with the device and/or the USB host.
- **INTR (Red)**—Indicates device or EVB fault condition (also on when DUT hasn't been programmed).

## 4. Clock Inputs

The EVB can operate in asynchronous mode using the onboard 27 MHz crystal, synchronous mode using an external CMOS clock source, or both modes. An SMA connector and test points are provided to interface an external clock source to CLKIN. Additionally, in the Si5350/51B mode, V<sub>C</sub> input should be applied to either the V<sub>C</sub> test point or SMA connection.

## 5. Clock Outputs

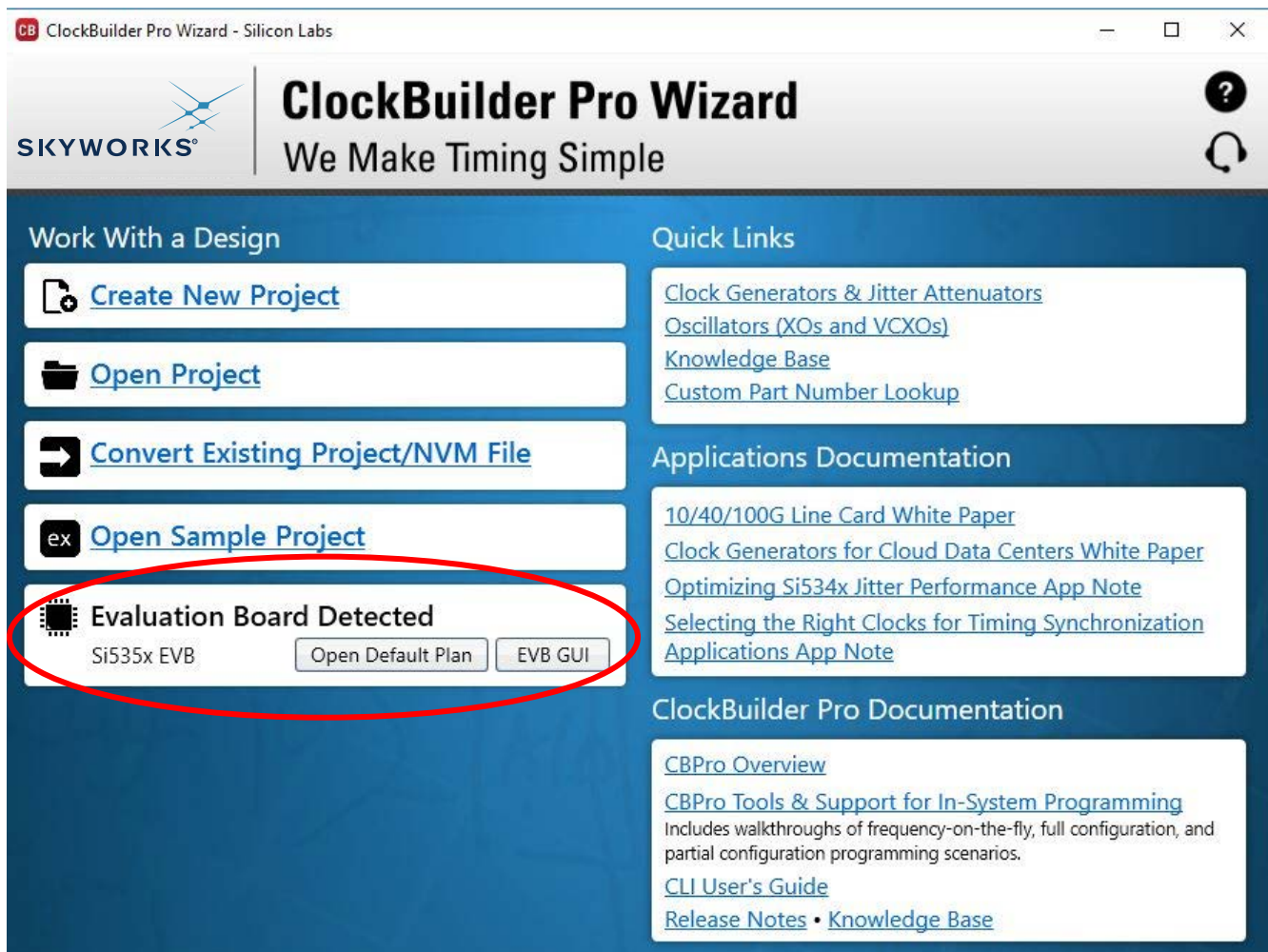
Outputs can be measured using either SMA cables attached directly to a high-input impedance oscilloscope (recommended) or with high impedance probes at the output clock test loops (TP53-TP60).

Clock voltage levels can be 1.8, 2.5, or 3.3 V depending on the VDDOx VOLT\_SEL jumper selection.

## 6. Software Guide

The Si535x-B20QFN-EVB is fully compatible with [ClockBuilder Pro](#). This software can be used to program the pre-soldered hybrid Si5350/51 device to emulate any type of Si5350/51 part, including A/B/C variants, in 10-MSOP, 16-QFN, or 20-QFN packages.

To program the device, just connect the Si535x-B20QFN-EVB to a computer running ClockBuilder Pro using the provided USB Cable. With the ClockBuilder Pro software opened and the EVB connected, a "Si535x EVB" will show up on the main ClockBuilder Pro Wizard page.



**Figure 3. ClockBuilder Pro Wizard with the Si535x EVB Connected**

From this page, either open a default EVB plan, open an existing Si535x A/B/C ClockBuilder Pro project file using the Open Project button, or create a new Si535x A/B/C project file using the Create New Project button. Once a project file is opened, it can be written to the EVB in the Design Dashboard. When a 10-MSOP or 16-QFN project is written to the EVB, an additional GUI will pop-up to show which CLK outputs on the EVB apply to that package type.

Once a configuration has been finalized, a project file can either be used to create a custom-orderable Si5350/51 part number, or the register file can be exported for easy in system volatile programming.

The ClockBuilder Pro EVB GUI can also be used to view or modify individual Si5351 registers as well as monitor the device's power consumption.



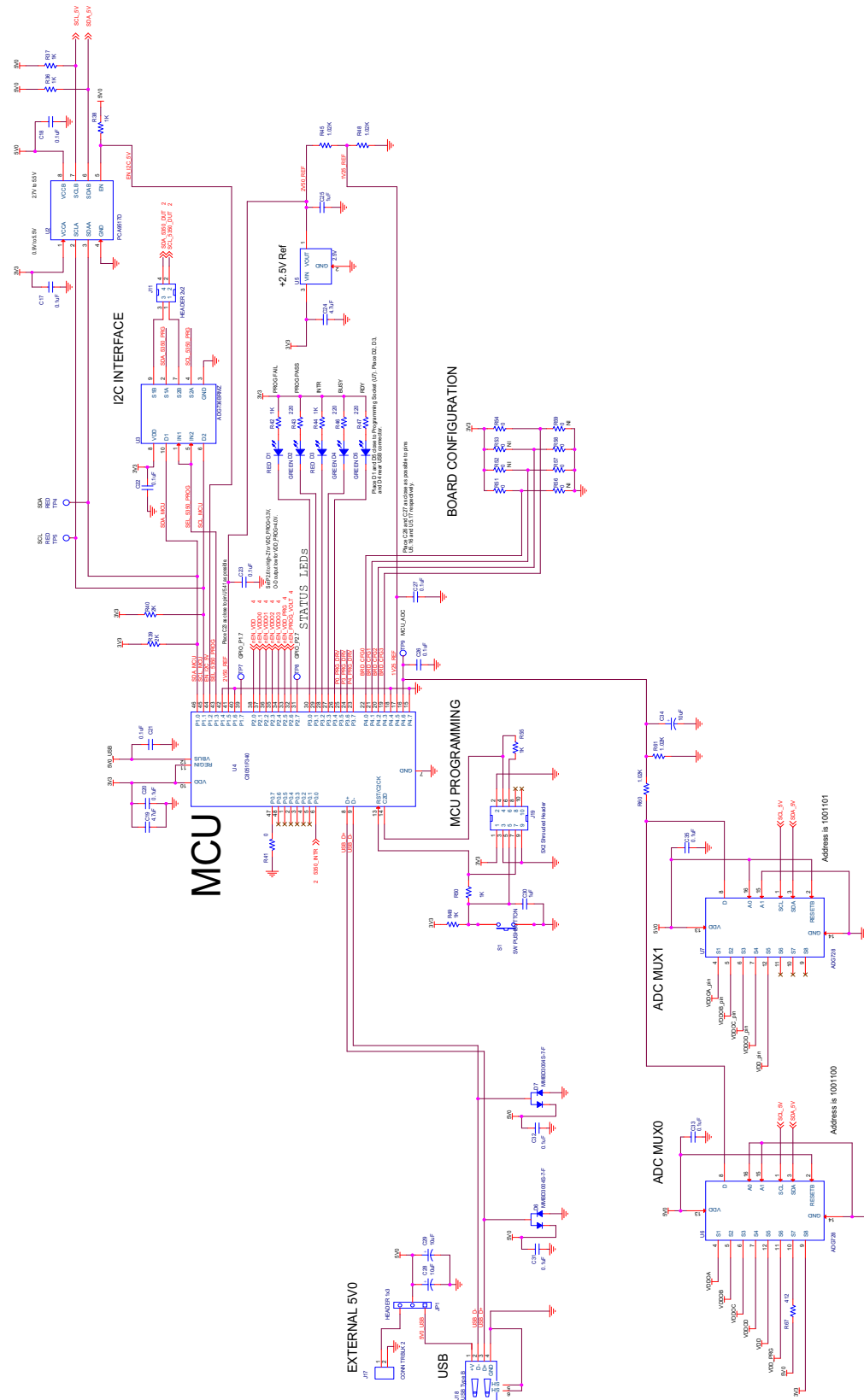
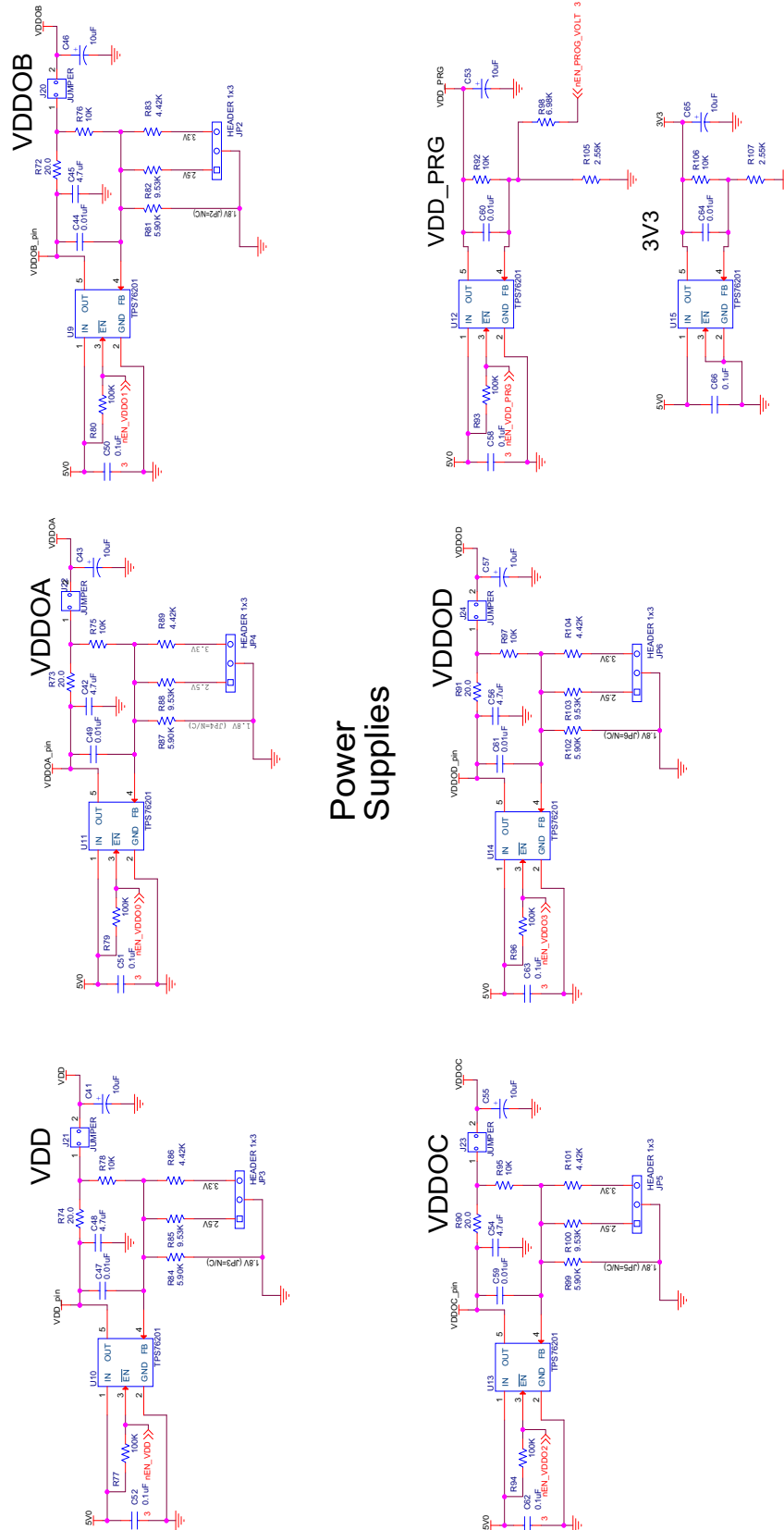


Figure 5. MCU and Programming Socket

# Si535x-B20QFN-EVB



## Power Supplies

Figure 6. Power Supplies



## 8. Bill of Materials

**Table 1. Si535x Bill of Materials**

Item	Qty	Reference	Value	Manufacturer	Manufacturer Part Number
1	5	C2,C5,C7,C8,C9	0.47 $\mu$ F	Venkel	C0402X5R100-474K
2	1	C13	1nF	Venkel	C0603X7R101-102K
3	12	C17,C18,C20,C21,C22,C23, C26,C27,C31,C32,C33,C35	0.1 $\mu$ F	Venkel	C0402X7R100-104K
4	7	C19,C24,C42,C45,C48,C54, C56	4.7 $\mu$ F	Venkel	C1206X7R100-475M
5	2	C25,C30	1 $\mu$ F	Venkel	C1206X7R250-105K
6	10	C28,C29,C34,C41,C43,C46, C53,C55,C57,C65	10 $\mu$ F	Kemet	B45196H5106M309
7	7	C44,C47,C49,C59,C60,C61, C64	0.01 $\mu$ F	Venkel	C0603X7R160-103M
8	8	C50,C51,C52,C58,C62,C63, C66,C69	0.1 $\mu$ F	Venkel	C0603X7R100-104K
9	8	C70,C71,C72,C73,C74,C75, C76,C77	1 pF	MuRata	GRM1555C1H1R2CA01D
10	2	D1,D3	RED	Panasonic	LN1271RAL
11	3	D2,D4,D5	GREEN	Panasonic	LN1371G
12	2	D6,D7	MMBD3004S-7-F	Diodes Inc.	MMBD3004S-7-F
13	6	JP1,JP2,JP3,JP4,JP5,JP6	HEADER 1x3	Samtec	TSW-103-07-T-S
14	10	J5,J25,J26,J27,J28,J29,J30, J32,J33,J34	SMA	Johnson Components	142-0701-801
15	1	J11	HEADER 2x2	Samtec	TSW-102-07-T-D
16	1	J17	CONN TRBLK 2	Phoenix Contact	1729018
17	1	J18	USB Type B	Tyco	292304-1
18	1	J19	5X2 Shrouded Header	Tyco	5103309-1
19	5	J20,J21,J22,J23,J24	JUMPER	Samtec	TSW-102-07-T-S
20	15	R3,R4,R5,R8,R9,R23,R24,R51 ,R52,R53,R54,R56,R57,R58, R59	0	Venkel	CR0603-16W-000
21	1	R7	4.99K	Venkel	CR0402-16W-4991F
22	4	R12,R13,R39,R40	2K	Venkel	CR0603-10W-2001F
23	1	R26	100K	Venkel	CR0603-10W-104J

# Si535x-B20QFN-EVB

**Table 1. Si535x Bill of Materials (Continued)**

Item	Qty	Reference	Value	Manufacturer	Manufacturer Part Number
24	8	R36,R37,R38,R42,R44,R49, R50,R55	1K	Venkel	CR0402-16W-102J
25	9	R41,R110,R111,R112,R113, R114,R115,R116,R117	0	Venkel	CR0402-16W-000
26	3	R43,R46,R47	220	Venkel	CR0402-16W-221J
27	4	R45,R48,R60,R61	1.02K	Venkel	TFCR0402-16W-E-1021B
28	1	R67	412	Venkel	TFCR0402-16W-E-4120B
29	5	R72,R73,R74,R90,R91	20	Venkel	CR2512-1W-20R0D
30	7	R75,R76,R78,R92,R95,R97, R106	10K	Venkel	CR0603-16W-1002F
31	6	R77,R79,R80,R93,R94,R96	100K	Venkel	CR0603-10W-1003F
32	5	R81,R84,R87,R99,R102	5.90K	Venkel	CR0603-16W-5901F
33	5	R82,R85,R88,R100,R103	9.53K	Venkel	CR0603-16W-9531F
34	5	R83,R86,R89,R101,R104	4.42K	Venkel	CR0603-16W-4421F
35	1	R98	6.98K	Venkel	CR0603-16W-6981F
36	2	R105,R107	2.55K	Venkel	CR0603-16W-2551F
37	1	R109	49.9	Venkel	CR0603-16W-49R9F
38	1	S1	SW PUSHBUTTON	Mountain Switch	101-0161-EV
39	4	TP3,TP20,TP61,TP62	BLACK	Kobiconn	151-203-RC
40	10	TP4,TP5,TP53,TP54,TP55, TP56,TP57,TP58,TP59, TP60	RED	Kobiconn	151-207-RC
41	4	TP7,TP8,TP9,TP52	WHITE	Kobiconn	151-201-RC
42	4	TP38,TP39,TP48,TP49	Turret	Mill-Max	2551-2-00-44-00-00-07-0
43	1	U1	Si5350X-B-GM	Skyworks	Si5350X-B-GM
44	1	U2	PCA9517D	NXP	PCA9517D
45	1	U3	ADG736BRMZ	Analog Devices	ADG736BRMZ
46	1	U4	C8051F340	Skyworks	C8051F340-GQ
47	1	U5	2.5V	Analog Devices	AD1582BRT
48	2	U6,U7	ADG728	Analog Devices	ADG728BRUZ
49	7	U9,U10,U11,U12,U13,U14,U15	TPS76201	TI	TPS76201DBV
50	1	Y1	27MHz	TXC	7M-27.000MEEQ-T



# SKYWORKS®

## ClockBuilder Pro

Customize Skyworks clock generators, jitter attenuators and network synchronizers with a single tool. With CBPro you can control evaluation boards, access documentation, request a custom part number, export for in-system programming and more!

[www.skyworksinc.com/CBPro](http://www.skyworksinc.com/CBPro)



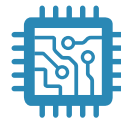
**Portfolio**

[www.skyworksinc.com/ia/timing](http://www.skyworksinc.com/ia/timing)



**SW/HW**

[www.skyworksinc.com/CBPro](http://www.skyworksinc.com/CBPro)



**Quality**

[www.skyworksinc.com/quality](http://www.skyworksinc.com/quality)



**Support & Resources**

[www.skyworksinc.com/support](http://www.skyworksinc.com/support)

### Copyright © 2021 Skyworks Solutions, Inc. All Rights Reserved.

Information in this document is provided in connection with Skyworks Solutions, Inc. ("Skyworks") products or services. These materials, including the information contained herein, are provided by Skyworks as a service to its customers and may be used for informational purposes only by the customer. Skyworks assumes no responsibility for errors or omissions in these materials or the information contained herein. Skyworks may change its documentation, products, services, specifications or product descriptions at any time, without notice. Skyworks makes no commitment to update the materials or information and shall have no responsibility whatsoever for conflicts, incompatibilities, or other difficulties arising from any future changes.

No license, whether express, implied, by estoppel or otherwise, is granted to any intellectual property rights by this document. Skyworks assumes no liability for any materials, products or information provided hereunder, including the sale, distribution, reproduction or use of Skyworks products, information or materials, except as may be provided in Skyworks' Terms and Conditions of Sale.

THE MATERIALS, PRODUCTS AND INFORMATION ARE PROVIDED "AS IS" WITHOUT WARRANTY OF ANY KIND, WHETHER EXPRESS, IMPLIED, STATUTORY, OR OTHERWISE, INCLUDING FITNESS FOR A PARTICULAR PURPOSE OR USE, MERCHANTABILITY, PERFORMANCE, QUALITY OR NON-INFRINGEMENT OF ANY INTELLECTUAL PROPERTY RIGHT; ALL SUCH WARRANTIES ARE HEREBY EXPRESSLY DISCLAIMED. SKYWOKS DOES NOT WARRANT THE ACCURACY OR COMPLETENESS OF THE INFORMATION, TEXT, GRAPHICS OR OTHER ITEMS CONTAINED WITHIN THESE MATERIALS. SKYWOKS SHALL NOT BE LIABLE FOR ANY DAMAGES, INCLUDING BUT NOT LIMITED TO ANY SPECIAL, INDIRECT, INCIDENTAL, STATUTORY, OR CONSEQUENTIAL DAMAGES, INCLUDING WITHOUT LIMITATION, LOST REVENUES OR LOST PROFITS THAT MAY RESULT FROM THE USE OF THE MATERIALS OR INFORMATION, WHETHER OR NOT THE RECIPIENT OF MATERIALS HAS BEEN ADVISED OF THE POSSIBILITY OF SUCH DAMAGE.

Skyworks products are not intended for use in medical, lifesaving or life-sustaining applications, or other equipment in which the failure of the Skyworks products could lead to personal injury, death, physical or environmental damage. Skyworks customers using or selling Skyworks products for use in such applications do so at their own risk and agree to fully indemnify Skyworks for any damages resulting from such improper use or sale.

Customers are responsible for their products and applications using Skyworks products, which may deviate from published specifications as a result of design defects, errors, or operation of products outside of published parameters or design specifications. Customers should include design and operating safeguards to minimize these and other risks. Skyworks assumes no liability for applications assistance, customer product design, or damage to any equipment resulting from the use of Skyworks products outside of Skyworks' published specifications or parameters.

Skyworks, the Skyworks symbol, Sky5®, SkyOne®, SkyBlue™, Skyworks Green™, Clockbuilder®, DSPLL®, ISOModem®, ProSLIC®, and SiPHY® are trademarks or registered trademarks of Skyworks Solutions, Inc. or its subsidiaries in the United States and other countries. Third-party brands and names are for identification purposes only and are the property of their respective owners. Additional information, including relevant terms and conditions, posted at [www.skyworksinc.com](http://www.skyworksinc.com), are incorporated by reference.