

1445390-3 ✓ ACTIVE

AMP | AMP CPC

TE Internal #: 1445390-3

Circular Power Connectors, Housing, 250 VDC, 30 – 18 AWG Wire Size, .0509 – .823 mm<sup>2</sup> Wire Size, Wire-to-Wire, 4 Position, Sealable, AMP CPC

[View on TE.com >](#)



[Connectors](#) > [Power Connectors](#) > [Circular Power](#) > [Circular Power Connectors](#) > [Mini Circular Plastic Connectors \(CPC\)](#)



Connector Product Type: **Housing**

Operating Voltage: **250 VDC**

Wire Size: **.0509 – .823 mm<sup>2</sup>**

Connector System: **Wire-to-Wire**

[All Mini Circular Plastic Connectors \(CPC\) \(53\)](#)

## Features

### Product Type Features

Connector Seal & Plug Type	Wire Entry Seal
Connector Product Type	Housing
Connector System	Wire-to-Wire
Sealable	Yes
Connector & Contact Terminates To	Wire & Cable
Connector & Housing Type	Plug
Circular Connector Shell Type	All Plastic

### Configuration Features

Number of Positions	4
Number of Power Positions	0
Number of Signal Positions	4

### Electrical Characteristics

Operating Voltage	250 VAC
-------------------	---------



### Contact Features

Reverse Gender	No
Contact Type	Socket
Contact Current Rating (Max)	7.5 A

### Termination Features

Termination Method to Wire & Cable	Crimp
------------------------------------	-------

### Mechanical Attachment

Mating Alignment	With
Mating Retention Type	Threaded Coupling
Thread Size	1/2-20 UNF-2A
Mating Retention	With
Panel Mount Feature	Without

### Housing Features

Housing Color	Black
Housing Material	Thermoplastic
Circular Connector Shell Size	8

### Dimensions

Compatible Insulation Diameter Range	1.5 – 2.39 mm [.059 – .11 in]
Wire Size	.0509 – .823 mm <sup>2</sup>

### Usage Conditions

Operating Temperature Range	-55 – 105 °C [-67 – 221 °F]
Fluid Resistance	Immersion

### Operation/Application

Circuit Application	Power & Signal
Shielded	No

### Industry Standards

UL Flammability Rating	UL 94V-0
------------------------	----------

### Packaging Features

Packaging Quantity	100
Packaging Method	Bag

### Product Compliance



[For compliance documentation, visit the product page on TE.com>](#)

EU RoHS Directive 2011/65/EU	Compliant
EU ELV Directive 2000/53/EC	Compliant
China RoHS 2 Directive MIIT Order No 32, 2016	No Restricted Materials Above Threshold
EU REACH Regulation (EC) No. 1907/2006	Current ECHA Candidate List: JUNE 2023 (235) Candidate List Declared Against: JAN 2023 (233) Does not contain REACH SVHC
Halogen Content	Not Low Halogen - contains Br or Cl > 900 ppm.
Solder Process Capability	Not reviewed for solder process capability

Product Compliance Disclaimer

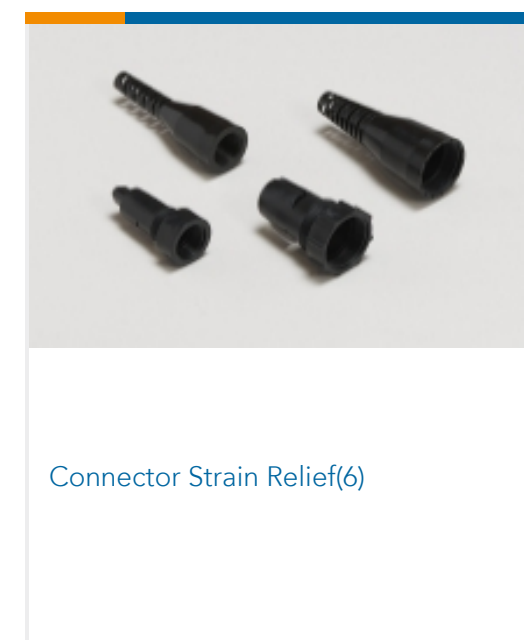
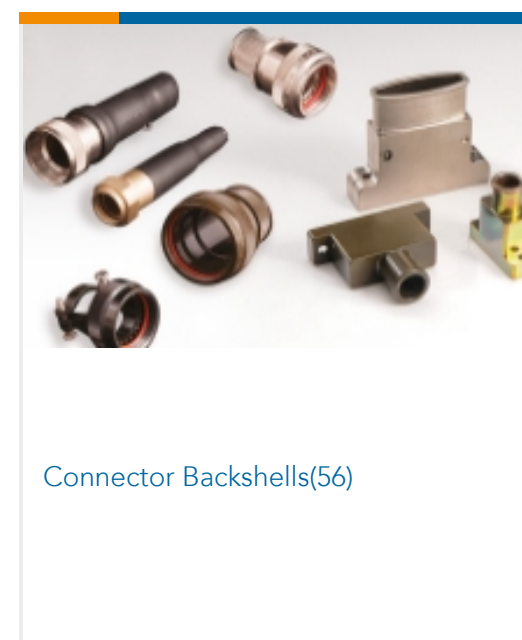
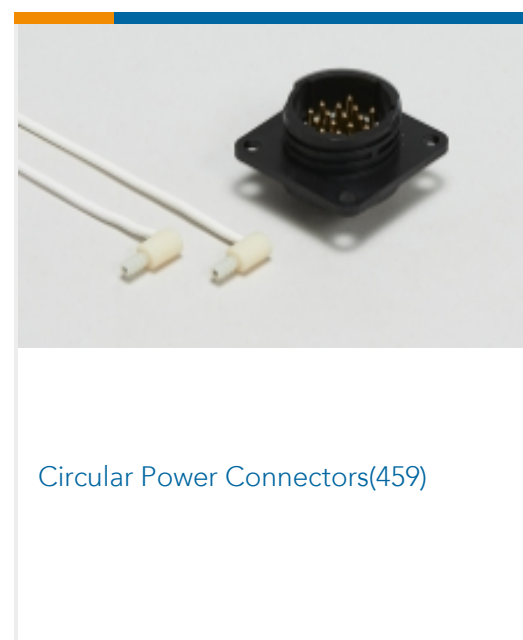
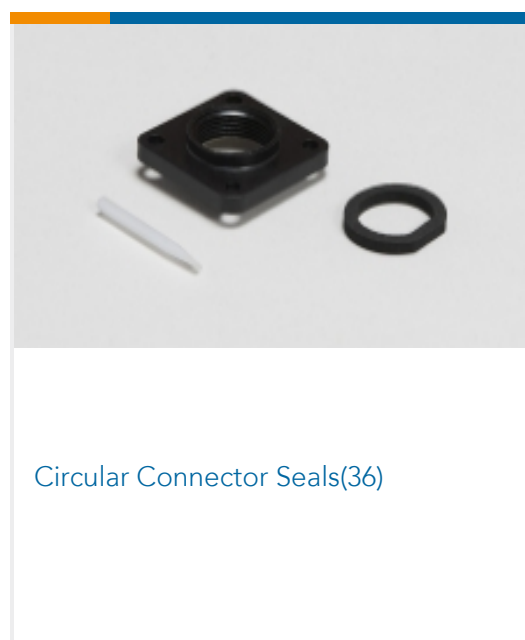
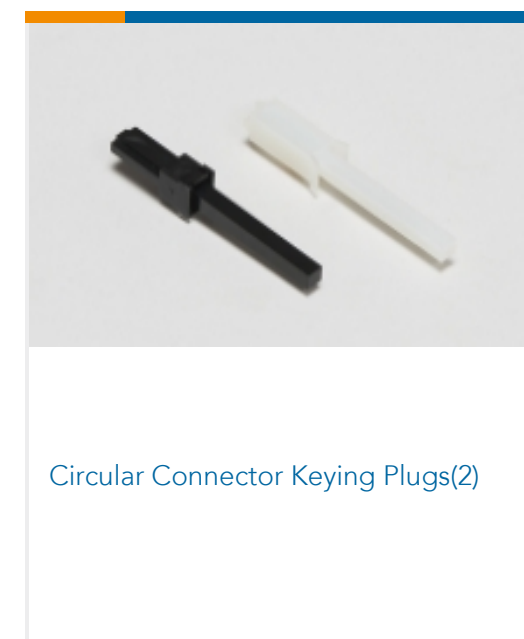
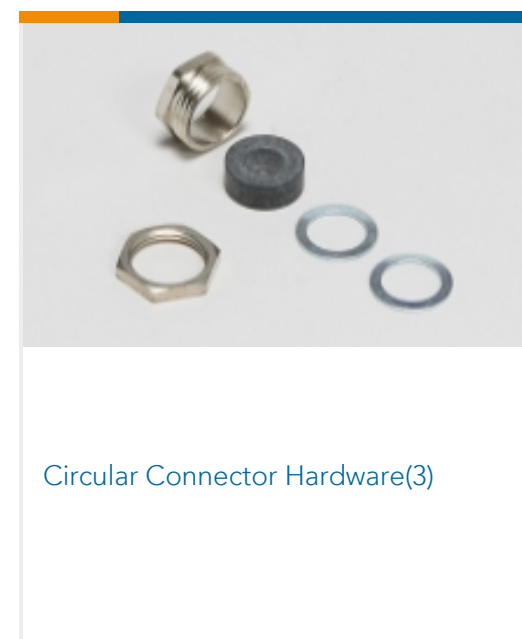
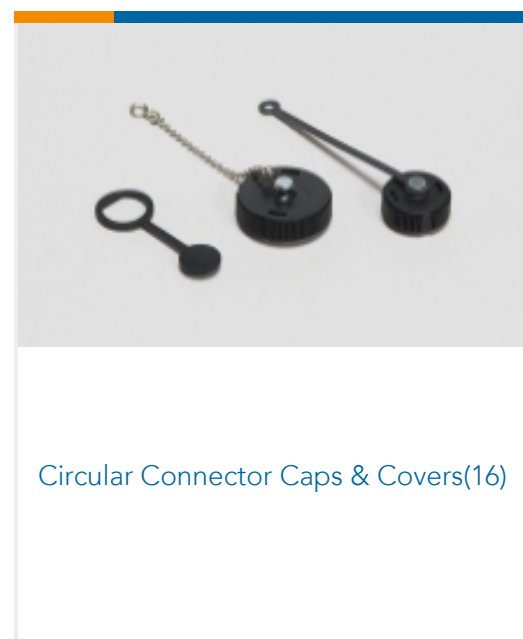
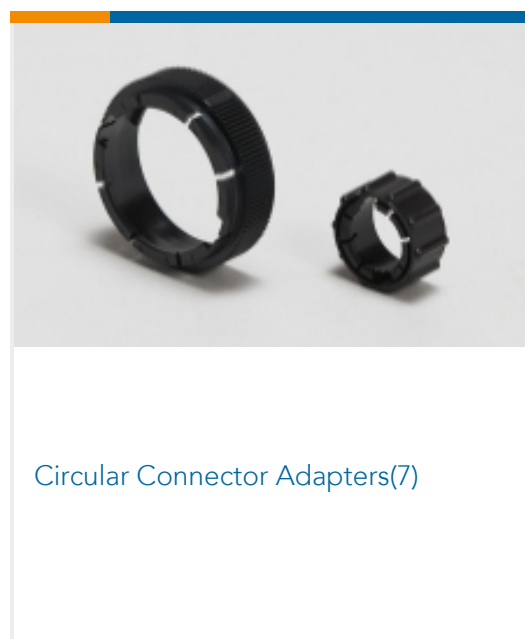
This information is provided based on reasonable inquiry of our suppliers and represents our current actual knowledge based on the information they provided. This information is subject to change. The part numbers that TE has identified as EU RoHS compliant have a maximum concentration of 0.1% by weight in homogenous materials for lead, hexavalent chromium, mercury, PBB, PBDE, DBP, BBP, DEHP, DIBP, and 0.01% for cadmium, or qualify for an exemption to these limits as defined in the Annexes of Directive 2011/65/EU (RoHS2). Finished electrical and electronic equipment products will be CE marked as required by Directive 2011/65/EU. Components may not be CE marked. Additionally, the part numbers that TE has identified as EU ELV compliant have a maximum concentration of 0.1% by weight in homogenous materials for lead, hexavalent chromium, and mercury, and 0.01% for cadmium, or qualify for an exemption to these limits as defined in the Annexes of Directive 2000/53/EC (ELV). Regarding the REACH Regulation, the information TE provides on SVHC in articles for this part number is based on the latest European Chemicals Agency (ECHA) 'Guidance on requirements for substances in articles' posted at this URL: <https://echa.europa.eu/guidance-documents/guidance-on-reach>

## Compatible Parts

<p>TE Part # CAT-AM71-C83998EE Mini Circular Plastic Connectors (CPC)</p>	<p>TE Part # 1604089-1 CAP,DUST,SIZE 8</p>	<p>TE Part # 1604196-1 NUT,JAM,5/8-24,PKG QTY 100</p>	<p>TE Part # 1445420-1 SEAL,FLANGE, SIZE 8/M13.5</p>
<p>TE Part # 1-770988-1 MINI UMNL SOK 22-18AWG LP LF</p>	<p>TE Part # 1-770985-0 MINI UMNL PIN 26-22AWG AU LP</p>	<p>TE Part # 1-770987-0 MINI UMNL PIN 22-18 AWG AU LP</p>	<p>TE Part # 770988-3 MINI UMNL SOK 22-18AWG AU LP</p>

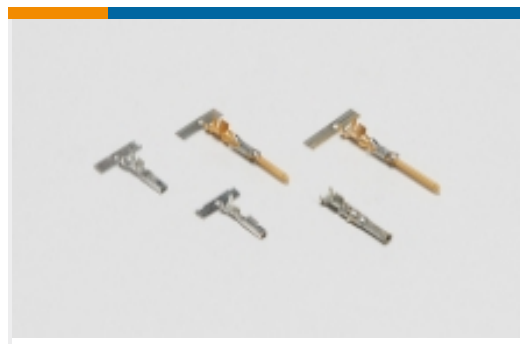


Also in the Series | AMP CPC

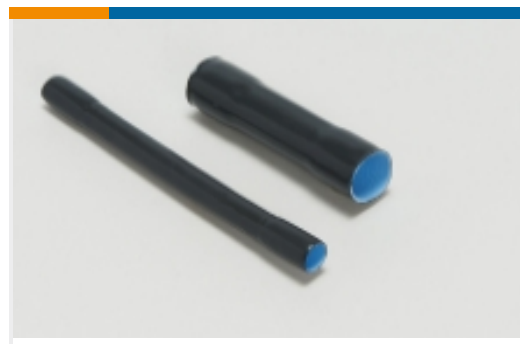




Insertion & Extraction Tools(1)



Power Contacts(6)



Sealing Sleeves(2)

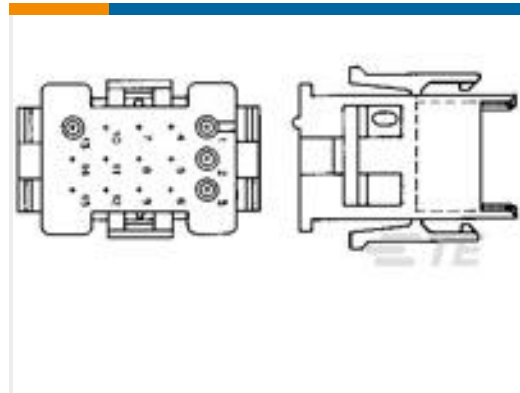
## Customers Also Bought



TE Part #1445421-3  
Mini Circular Plastic Connectors (CPC)



TE Part #322771  
TERMINAL,BUDG R 26-22 2



TE Part #1-640516-0  
36P MR II CAP HSG V0



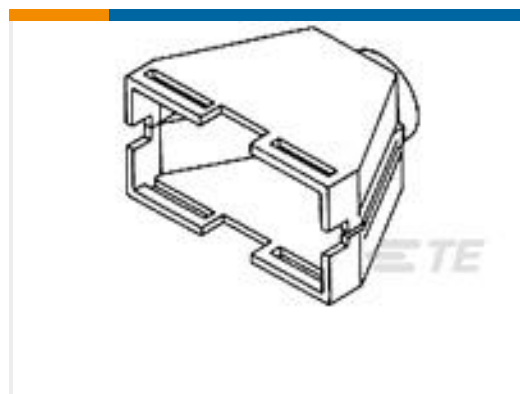
TE Part #1-770986-0  
MINI UMNL SOK 26-22AWG AU LP



TE Part #7-1393254-7  
W92-X112-30=M6/M7/M9/W6/W7



TE Part #7-1393114-3  
KUHP-11DT1-24=KU



TE Part #480594-1  
36P STR/REL HSG HNGD V0



TE Part #2-380937-0  
MR SPLT GROMET .312 DIA BLK LF



TE Part #7-1393132-5  
P40P42D12P1-24=CONTACTORS-

## Documents

### Product Drawings

[PLUG,8-4,LG INS,STD KEY](#)

English

### CAD Files

[Customer View Model](#)

[ENG\\_CVM\\_CVM\\_1445390-3\\_C2.3d\\_igs.zip](#)

English

[Customer View Model](#)



[ENG\\_CVM\\_CVM\\_1445390-3\\_C2.3d\\_stp.zip](#)

English

**Customer View Model**

[ENG\\_CVM\\_CVM\\_1445390-3\\_C2.2d\\_dxf.zip](#)

English

**3D PDF**

3D

By downloading the CAD file I accept and agree to the [Terms and Conditions](#) of use.

---

### Datasheets & Catalog Pages

[1-1773902-9\\_CPC\\_Catalog](#)

English

[1-1773902-9\\_CPC\\_Catalog](#)

[1-1773902-9\\_CPC\\_Catalog](#)

German

[1-1773902-9\\_CPC\\_Catalog](#)

Japanese

[AMP Circular Connectors for Commercial Signal & Power Applications Continued](#)

English

---

### Product Specifications

[Application Specification](#)

English

[Application Specification](#)

English

---

### Product Environmental Compliance

[Product Compliance](#)

English

[Product Compliance](#)

English