

1000Vdc modular photovoltaic ferrule fuse blocks

RoHS



Product description:

BPVM modular style 1000Vdc fuse blocks for use with 10x38mm (13/32" x 1-1/2") photovoltaic fuses up to 30 amps.

These new Bussmann fuse blocks contain multiple features to add versatility, reduce labor and enhance safety of any panel design.

Features and benefits:

- Available in 1- and 2-pole configurations to meet stocking requirements.
- Blocks are fully modular with a snap-together design that provides tool-less assembly of multiple pole blocks at point-of-use to reduce inventory and save assembly time and labor.
- DIN-Rail and panel mount versatility allows one product to be used for multiple applications, lowering inventory cost.
- Compact footprint consumes minimal panel space.
- Optional see-through cover enhances safety with IP20 finger-safe protection, lockout/tagout capability and open circuit indication.
- Easy circuit identification with available universal marker labels for fuse block covers.
- Tin-plated bimetallic copper fuse clips deliver superior fatigue resistance compared to traditional spring brass.
- Listed to UL 4248-18 for photovoltaic applications

Specifications



Ratings:

- Volts 1000Vdc
- Amps up to 30A
- Withstand 33kA

Agency information:

Blocks:

- UL Listed E348242 - IZMR
- CSA Component Acceptance 47235-6225-01
- CE
- RoHS Compliant
- Conflict mineral free
- REACH declaration available upon request

Covers:

- Covers are included in the overall UL Listing and CSA Acceptance
- IP20 finger-safe
- RoHS Compliant
- REACH declaration available upon request

Poles:

- 1-, 2-pole units factory assembled
- Single-pole units snap together to create desired number of poles

Flammability ratings:

- Blocks — UL 94V0, self-extinguishing
- Covers — UL 94HB, self-extinguishing

Operating and storage temperature range:

- Blocks -40°C to +120°C
- Non-Indicating covers -40°C to +120°C
- Indicating covers -20°C to +90°C*

* Indication requires minimum 90Vac/dc and closed circuit to illuminate.

Materials:

- Base — Thermoplastic
- Terminals — Tin-plated bimetallic copper
- Covers — Thermoplastic
- Screws and pressure plates — Zinc-plated steel

Marker labels:

- Use Bussmann part number TM26CB

Recommended Bussmann fuses

10x38mm PV fuses

- Fast-acting 600Vdc PVM fuses, data sheet No. 2153
- Class gPV 1000Vdc PV fuses, data sheet No. 2153

Recommended Bussmann DIN-Rail end stops:

- Part No. BRKT-ND
- Part No. BRKT-NDSCREW2

Table 1. Terminal specifications

| Terminal type | 75/90°C AWG type/range | Torque | |
|-----------------------|------------------------|---------|-------------|
| | | AWG | lb-in (N·m) |
| Box lug ("CR" Option) | CU 2-14, AL 2-8 | CU 2-3 | 50 (5.6) |
| | | CU 4-6 | 45 (5.1) |
| | | CU 8-14 | 35 (4.0) |
| | | AL 2-6 | 50 (5.6) |
| | | AL 8 | 40 (4.5) |
| Screw (S) | CU 10-18 | 10-18 | 20 (2.3) |

Table 2. Catalog numbers

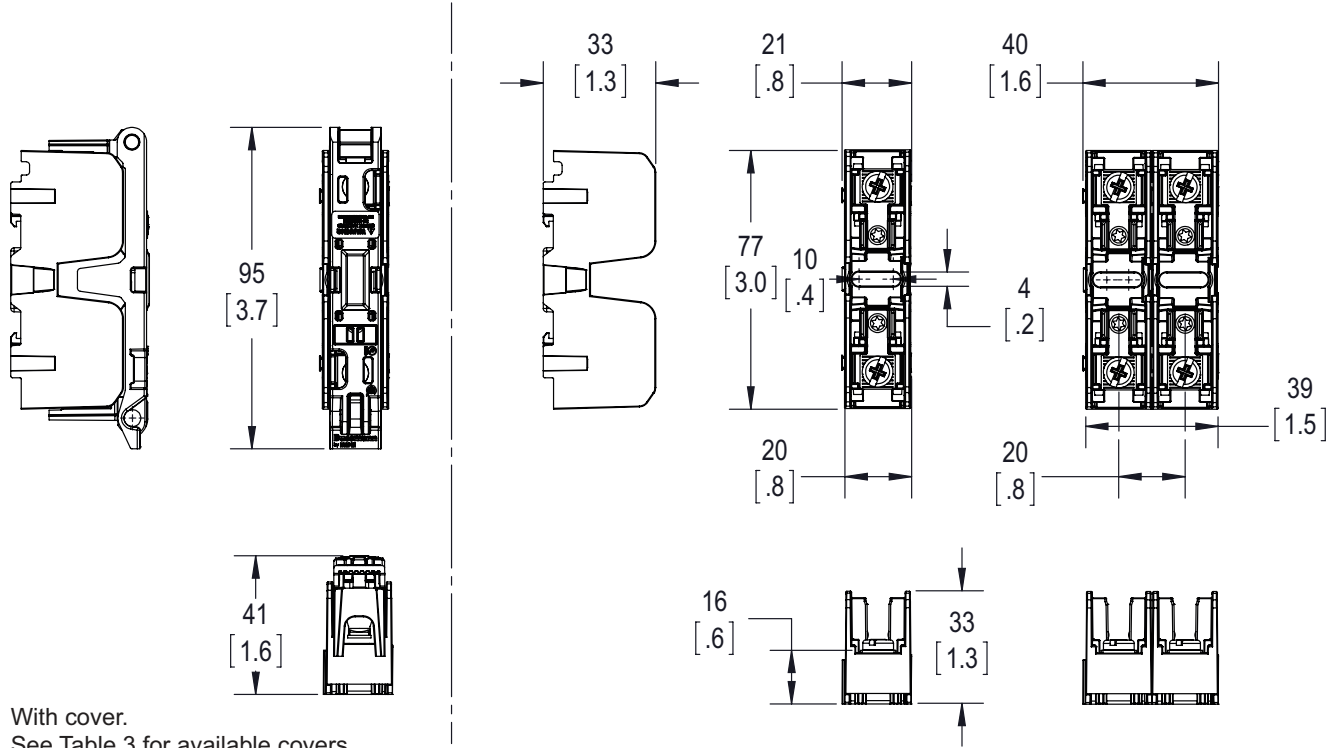
| Terminal type | | Poles | Fuse class |
|------------------------|---------|-------|------------------------------------|
| #10-32 Phil-slot screw | Box lug | | |
| BPVM-1S | BPVM-1C | 1 | 10x38 (13/32# x 1-1/2") gPV and PV |
| BPVM-2S | BPVM-2C | 2 | 10x38 (13/32# x 1-1/2") gPV and PV |

Table 3. Recommended covers*

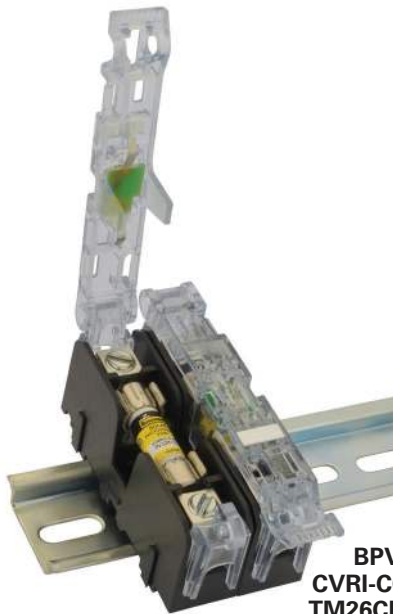
| Cover part numbers | |
|--------------------|----------------|
| Indicating | Non indicating |
| CVRI-CCM | CVR-CCM |

* For use with 4AWG max conductors.

Dimensions - mm (in)



With cover.
See Table 3 for available covers.



The only controlled copy of this Data Sheet is the electronic read-only version located on the Bussmann Network Drive. All other copies of this document are by definition uncontrolled. This bulletin is intended to clearly present comprehensive product data and provide technical information that will help the end user with design applications. Bussmann reserves the right, without notice, to change design or construction of any products and to discontinue or limit distribution of any products. Bussmann also reserves the right to change or update, without notice, any technical information contained in this bulletin. Once a product has been selected, it should be tested by the user in all possible applications.

Eaton's Bussmann Business
114 Old State Road
Ellisville, MO 63021
United States
www.bussmann.com



© 2014 Eaton
All Rights Reserved
Publication No. 10265 - BU-SB146006
August 2014

Eaton is a registered trademark.
All other trademarks are property of their respective owners.