

## Single-Channel Power Distribution Switch

### Features

- 140 mΩ Maximum On-Resistance
- 2.7V to 5.5V Operating Range
- 500 mA Minimum Continuous Output Current
- Short-Circuit Protection with Thermal Shutdown
- Fault Status Flag with 3 ms Filter Eliminates False Assertions
- Undervoltage Lockout
- Reverse Current Flow Blocking (No “Body Diode”)
- Circuit Breaker Mode (MIC2075) Reduces Power Consumption
- Logic-Compatible Input
- Soft-Start Circuit
- Low Quiescent Current
- Pin Compatible with MIC2525
- UL File #E179633

### Applications

- USB Peripherals
- General Purpose Power Switching
- ACPI Power Distribution
- Notebook PCs
- PDAs
- PC Card Hot Swap

### General Description

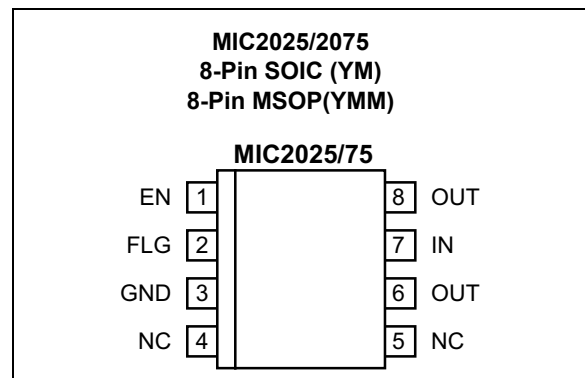
The MIC2025 and MIC2075 are high-side MOSFET switches optimized for general-purpose power distribution requiring circuit protection.

The MIC2025/75 are internally current limited and have thermal shutdown that protects the device and load. The MIC2075 offers “smart” thermal shutdown that reduces current consumption in fault modes. When a thermal shutdown fault occurs, the output is latched off until the faulty load is removed. Removing the load or toggling the enable input will reset the device output.

Both devices employ soft-start circuitry that minimizes inrush current in applications where highly capacitive loads are employed. A fault status output flag is provided that is asserted during overcurrent and thermal shutdown conditions.

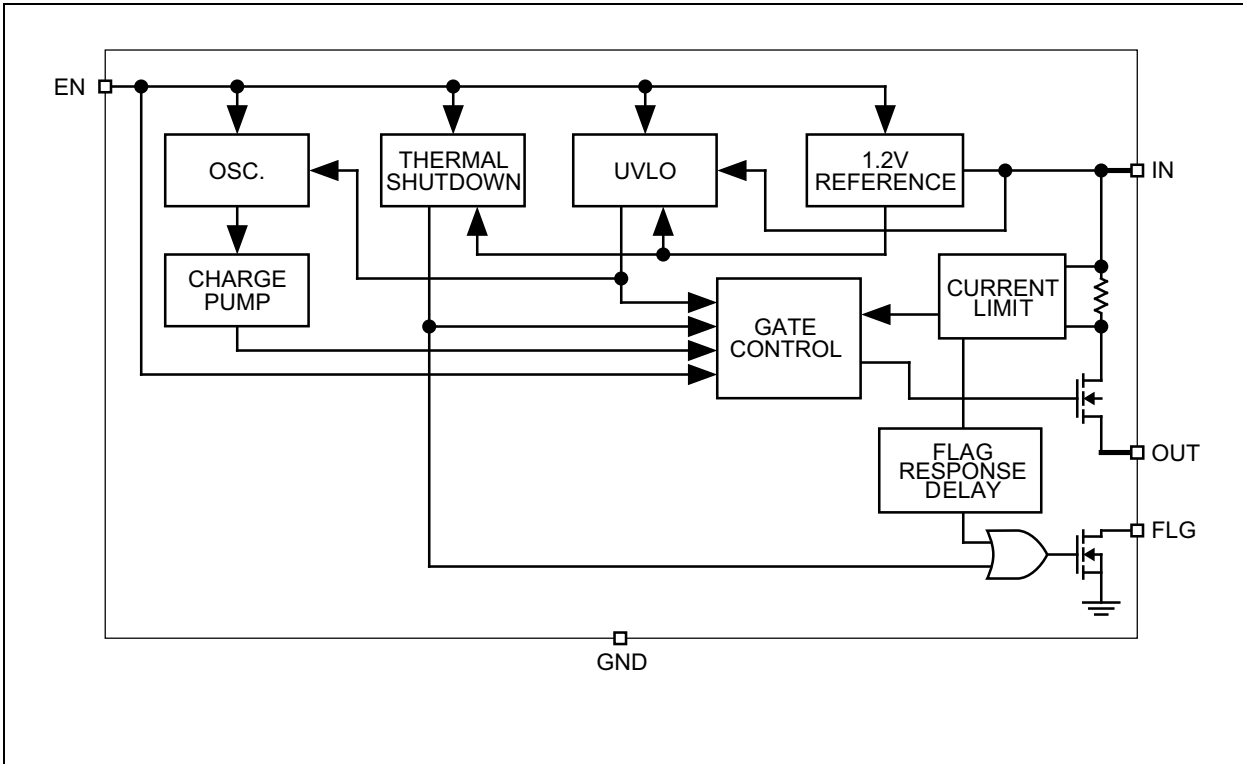
The MIC2025/75 are available in the 8-Pin MSOP and 8-Pin SOIC packages.

### Package Type

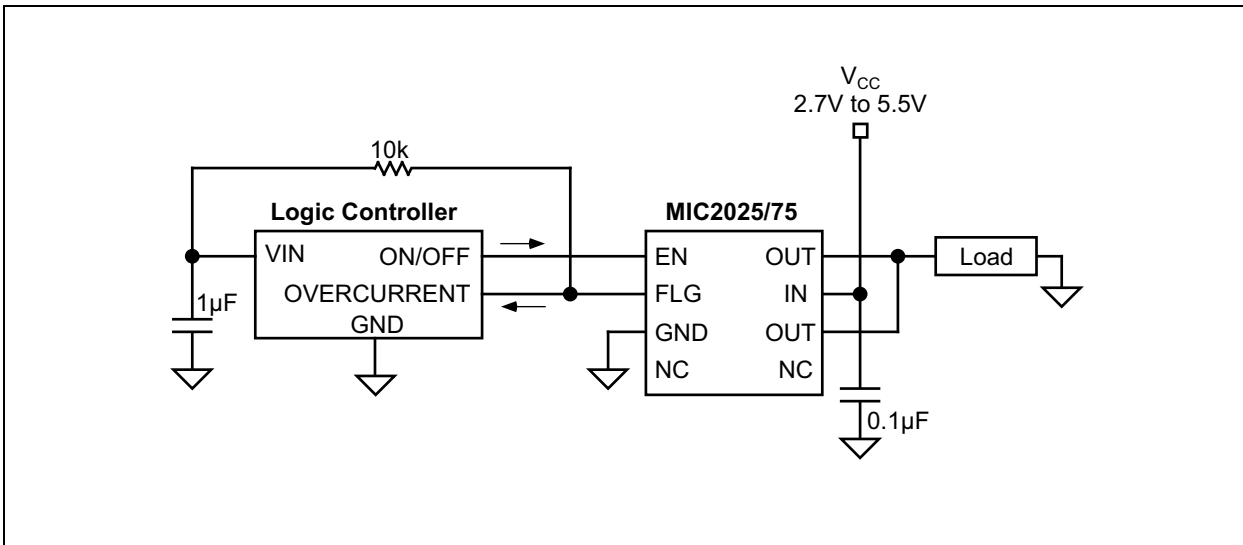


# MIC2025/2075

## Functional Block Diagram



## Typical Application Circuit



## 1.0 ELECTRICAL CHARACTERISTICS

### Absolute Maximum Ratings †

Supply Voltage ( $V_{IN}$ )	–0.3V to +6V
Fault Flag Voltage ( $V_{FLG}$ )	+6V
Fault Flag Current ( $I_{FLG}$ )	25 mA
Output Voltage ( $V_{OUT}$ )	+6V
Output Current ( $I_{OUT}$ )	Internally Limited
Enable Input ( $I_{EN}$ )	–0.3V to $V_{IN} + 3V$
ESD Rating	(Note 1)

### Operating Ratings ‡

Supply Voltage ( $V_{IN}$ )	+2.7V to +5.5V
-----------------------------	----------------

† **Notice:** Stresses above those listed under “Absolute Maximum Ratings” may cause permanent damage to the device. This is a stress rating only and functional operation of the device at those or any other conditions above those indicated in the operational sections of this specification is not intended. Exposure to maximum rating conditions for extended periods may affect device reliability. Specifications are for packaged product only.

‡ **Notice:** The device is not guaranteed to function outside its operating ratings.

**Note 1:** Devices are ESD sensitive. Handling precautions are recommended.

**TABLE 1-1: ELECTRICAL CHARACTERISTICS**

**Electrical Characteristics:**  $V_{IN} = +5V$ ;  $T_A = +25^\circ C$ , **Bold** values indicate  $-40^\circ C \leq T_A \leq +85^\circ C$ ; unless otherwise specified.

Parameter	Symbol	Min.	Typ.	Max.	Units	Conditions
Supply Current	$I_{DD}$	—	0.75	<b>5</b>	$\mu A$	MIC20x5-1, $V_{EN} \leq 0.8V$ (switch off), OUT = open
		—	0.75	<b>5</b>	$\mu A$	MIC20x5-2, $V_{EN} \geq 2.4V$ (switch off), OUT = open
		—	—	160	$\mu A$	MIC20x5-1, $V_{EN} \geq 2.4V$ (switch on), OUT = open
		—	—	160	$\mu A$	MIC20x5-2, $V_{EN} \leq 0.8V$ (switch on), OUT = open
Enable Input Voltage	$V_{EN}$	—	2.1	<b>2.4</b>	V	Low-to-High Transition
0.8		1.9	—	V	High-to-Low Transition	
Enable Input Hysteresis		—	200	—	mV	—
Enable Input Current	$I_{EN}$	<b>–1</b>	0.01	<b>1</b>	$\mu A$	$V_{EN} = 0V$ to 5.5V
Control Input Capacitance	—	—	1	—	pF	—
Switch Resistance	$R_{DS(ON)}$	—	90	<b>140</b>	m $\Omega$	$V_{IN} = 5V$ , $I_{OUT} = 500$ mA
		—	100	<b>160</b>	m $\Omega$	$V_{IN} = 3.3V$ , $I_{OUT} = 500$ mA
Output Leakage Current	—	—	—	<b>10</b>	$\mu A$	MIC2025/2075 (output off)
OFF Current in Latched Thermal Shutdown	—	—	50	—	$\mu A$	MIC2075 (during thermal shutdown state)
Output Turn-On Delay	$t_{ON}$	<b>1</b>	2.5	<b>6</b>	ms	$R_L = 10\Omega$ , $C_L = 1 \mu F$ , (see <a href="#">Timing Diagrams</a> )
Output Turn-On Rise Time	$t_R$	<b>0.5</b>	2.3	<b>5.9</b>	ms	$R_L = 10\Omega$ , $C_L = 1 \mu F$ , (see <a href="#">Timing Diagrams</a> )
Output Turn-Off Delay	$t_{OFF}$	—	50	100	$\mu s$	$R_L = 10\Omega$ , $C_L = 1 \mu F$ , (see <a href="#">Timing Diagrams</a> )

# MIC2025/2075

**Electrical Characteristics:**  $V_{IN} = +5V$ ;  $T_A = +25^\circ C$ , **Bold** values indicate  $-40^\circ C \leq T_A \leq +85^\circ C$ ; unless otherwise specified.

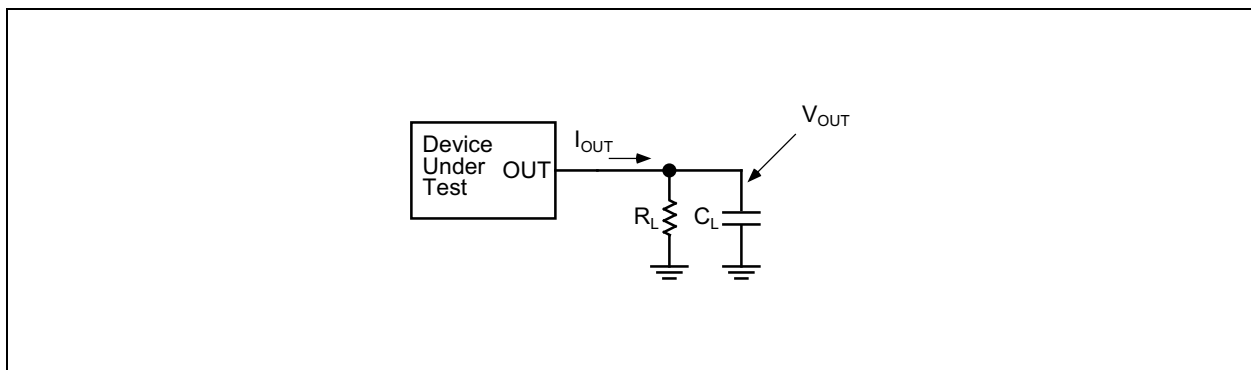
Parameter	Symbol	Min.	Typ.	Max.	Units	Conditions
Output Turn-Off Fall Time	$t_F$	—	50	100	$\mu s$	$R_L = 10\Omega$ , $C_L = 1 \mu F$ . (see <a href="#">Timing Diagrams</a> )
Short-Circuit Output Current	$I_{LIMIT}$	0.5	0.7	1.25	A	$V_{OUT} = 0V$ , enabled into short-circuit
Current-Limit Threshold (See <a href="#">Figure 2-22</a> )	—	0.60	0.85	1.25	A	Ramped load applied to output
Short-Circuit Response Time	—	—	24	—	$\mu s$	$V_{OUT} = 0V$ to $I_{OUT} = I_{LIMIT}$ (short applied to output)
Overcurrent Flag Response Delay	$t_D$	1.5	3	7	ms	$V_{IN} = 5V$ , apply $V_{OUT} = 0V$ until FLG low
		1.5	3	8	ms	$V_{IN} = 3.3V$ , apply $V_{OUT} = 0V$ until FLG low
Undervoltage Lockout Threshold		<b>2.2</b>	2.5	<b>2.7</b>	V	$V_{IN}$ Rising
		<b>2.0</b>	2.3	<b>2.5</b>	V	$V_{IN}$ Falling
Error Flag Output Resistance		—	8	25	$\Omega$	$I_L = 10 \text{ mA}$ , $V_{IN} = 5V$
		—	11	40	$\Omega$	$I_L = 10 \text{ mA}$ , $V_{IN} = 3.3V$
Error Flag Off Current		—	—	10	$\mu A$	$V_{FLAG} = 5V$
Overtemperature Threshold		—	140	—	$^\circ C$	$T_J$ increasing
		—	120	—	$^\circ C$	$T_J$ decreasing

## TEMPERATURE SPECIFICATIONS (Note 1)

Parameters	Sym.	Min.	Typ.	Max.	Units	Conditions
<b>Temperature Ranges</b>						
Storage Temperature Range	$T_S$	-65	—	+150	°C	—
Ambient Temperature Range	$T_A$	-40	—	+85	°C	—
Junction Temperature Range	$T_J$	—	—	—	°C	Internally Limited
<b>Package Thermal Resistances</b>						
Thermal Resistance SOIC 8-LD	$\theta_{JA}$	—	160	—	°C/W	—
Thermal Resistance MSOP 8-LD	$\theta_{JA}$	—	206	—	°C/W	—

**Note 1:** The maximum allowable power dissipation is a function of ambient temperature, the maximum allowable junction temperature and the thermal resistance from junction to air (i.e.,  $T_A$ ,  $T_J$ ,  $\theta_{JA}$ ).

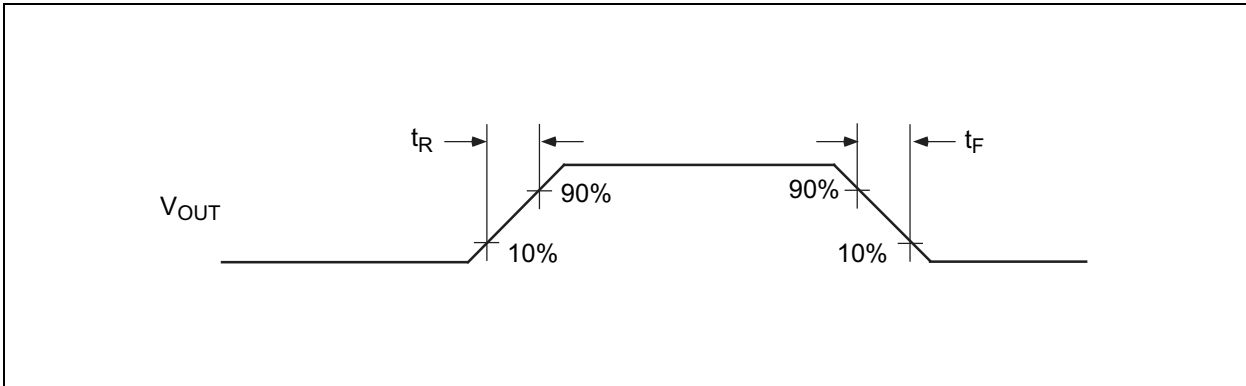
## Test Circuit



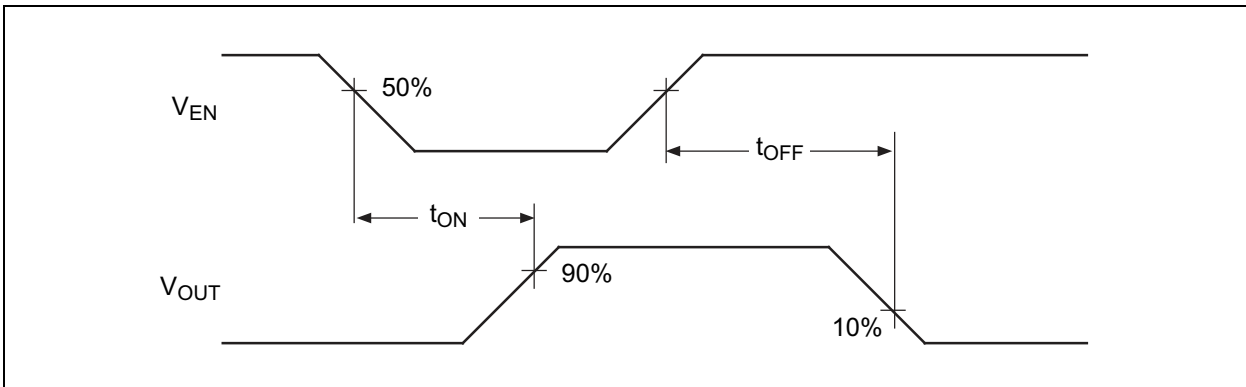
**FIGURE 1-1:** MIC2025/2075 Test Circuit.

# MIC2025/2075

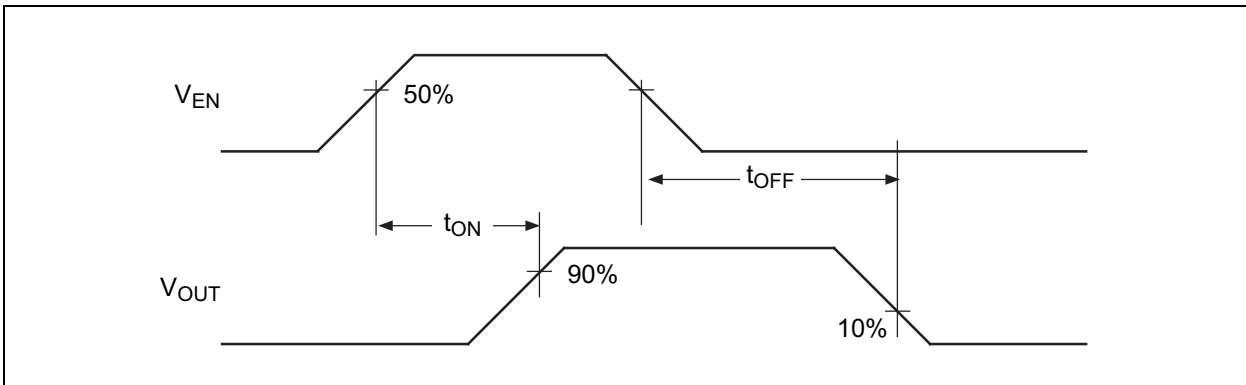
## Timing Diagrams



**FIGURE 1-2:** Output Rise and Fall Times.



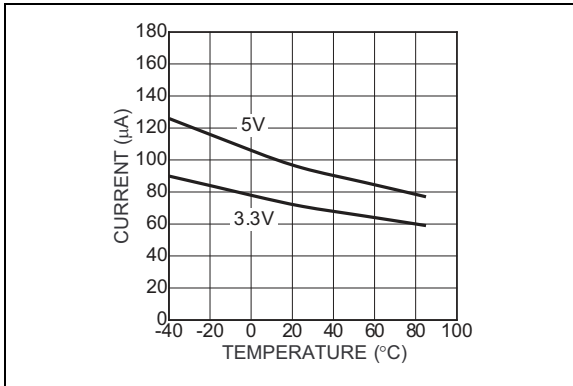
**FIGURE 1-3:** Active-Low Switch Delay Time (MIC20x5-2).



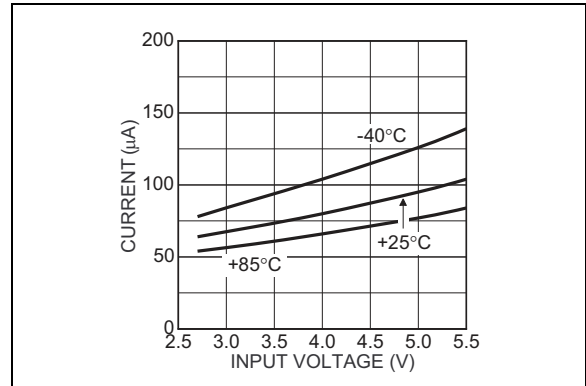
**FIGURE 1-4:** Active-High Switch Delay Times (MIC20x5-1).

## 2.0 TYPICAL PERFORMANCE CURVES

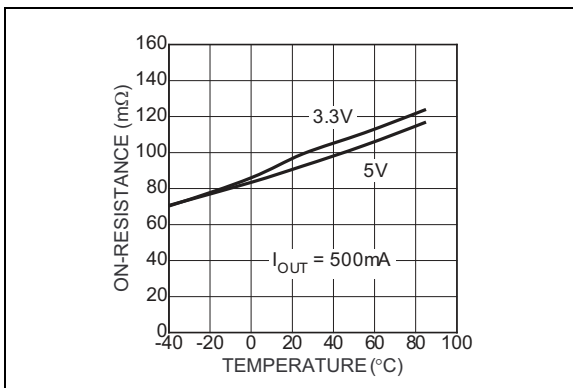
**Note:** The graphs and tables provided following this note are a statistical summary based on a limited number of samples and are provided for informational purposes only. The performance characteristics listed herein are not tested or guaranteed. In some graphs or tables, the data presented may be outside the specified operating range (e.g., outside specified power supply range) and therefore outside the warranted range.



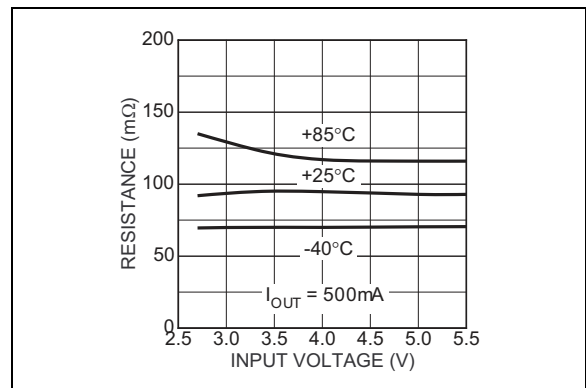
**FIGURE 2-1:** Supply On-Current vs. Temperature.



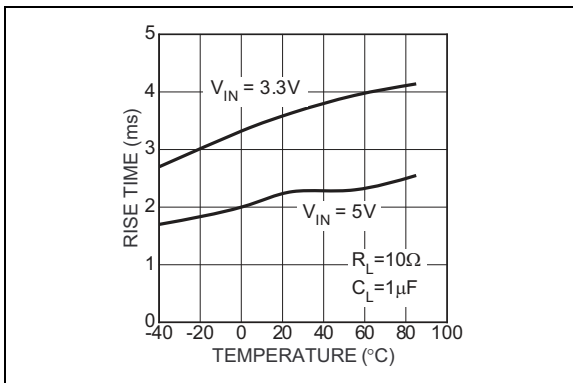
**FIGURE 2-4:** Supply On-Current vs. Input Voltage.



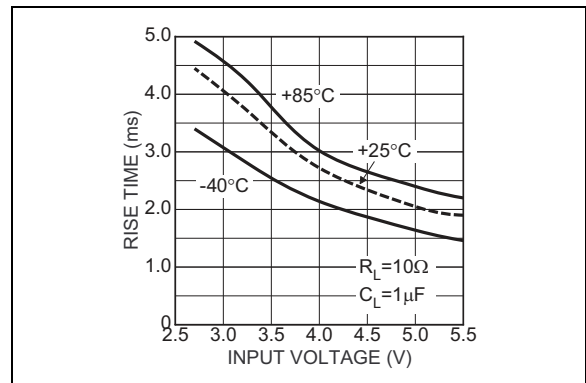
**FIGURE 2-2:** On-Resistance vs. Temperature.



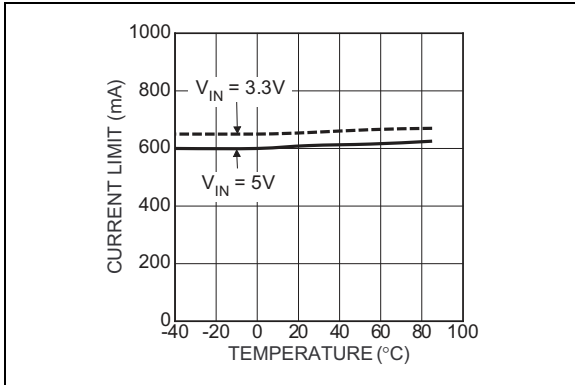
**FIGURE 2-5:** On-Resistance vs. Input Voltage.



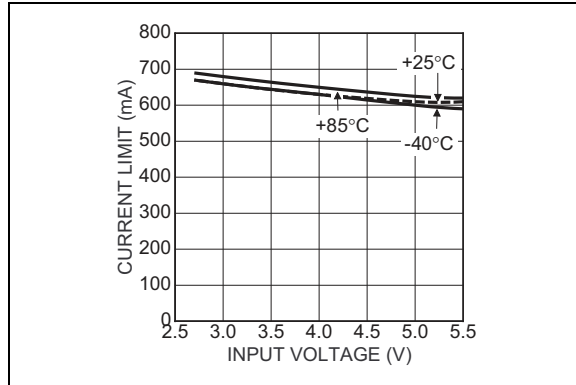
**FIGURE 2-3:** Turn-On rise Time vs. Temperature.



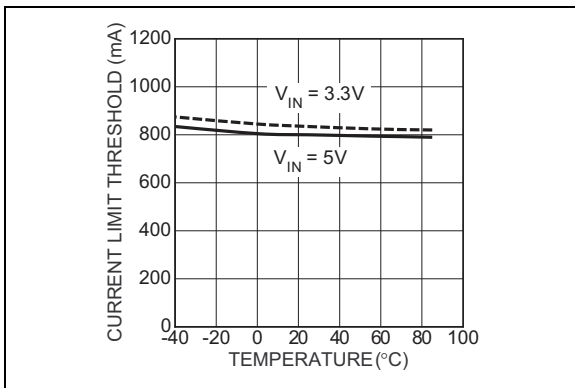
**FIGURE 2-6:** Turn-On Rise Time vs. Input Voltage.



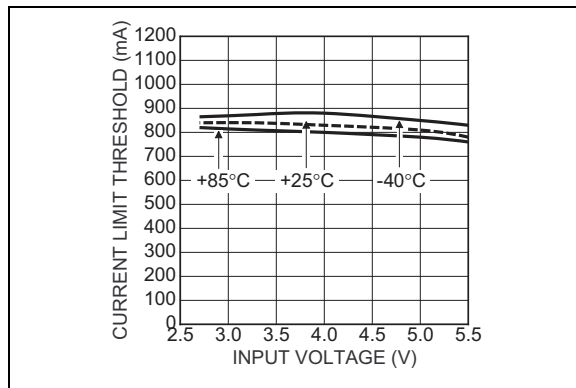
**FIGURE 2-7:** Short-Circuit Current-Limit vs. Temperature.



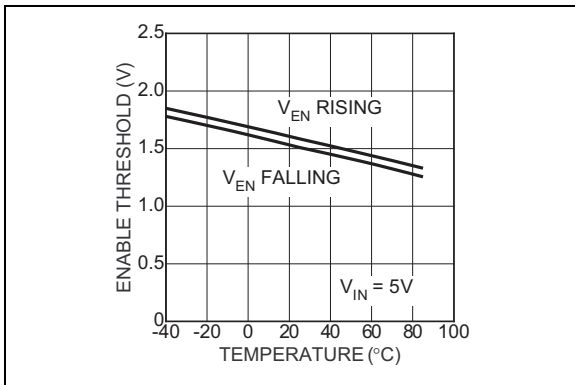
**FIGURE 2-10:** Short-Circuit Current-Limit vs. Input Voltage.



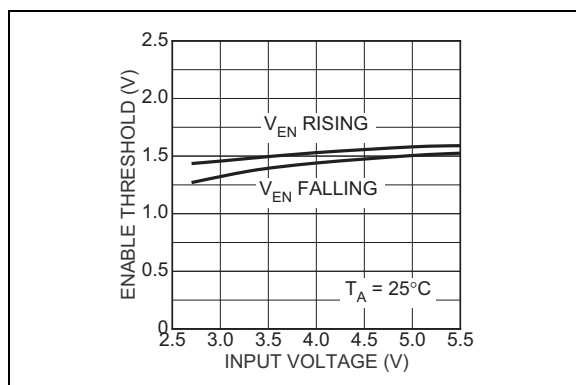
**FIGURE 2-8:** Current-Limit Threshold vs. Temperature.



**FIGURE 2-11:** Current-Limit Threshold vs. Input Voltage.

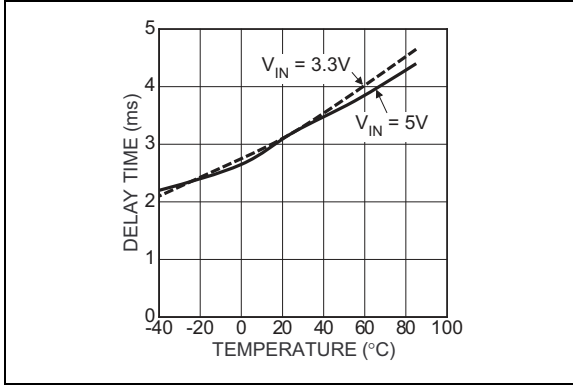


**FIGURE 2-9:** Enable Threshold vs. Temperature.

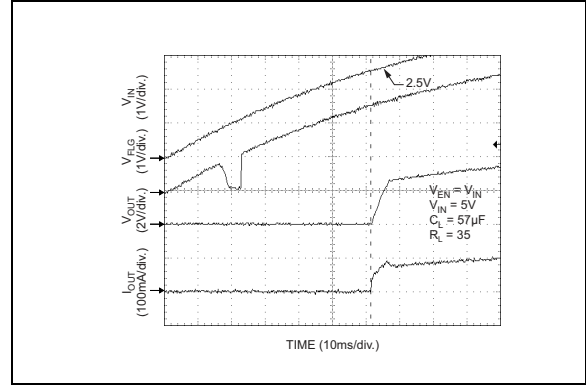


**FIGURE 2-12:** Enable Threshold vs. Input Voltage.

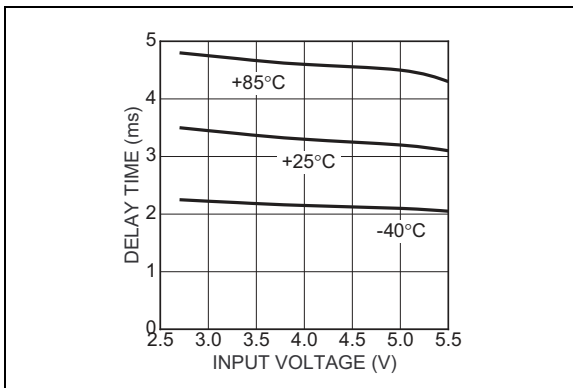




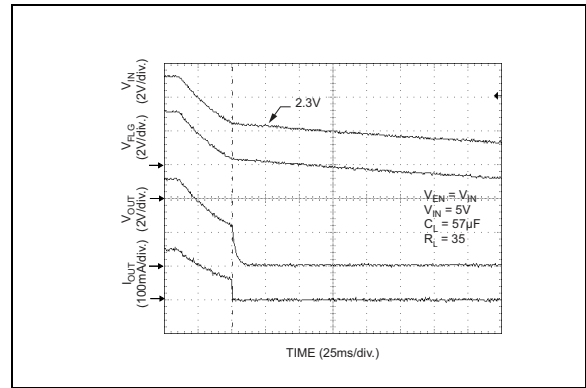
**FIGURE 2-13:** Flag Delay vs. Temperature.



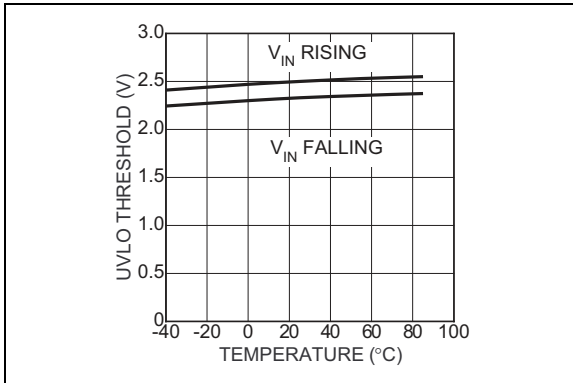
**FIGURE 2-16:** UVLO  $V_{IN}$  Rising (MIC2025-1).



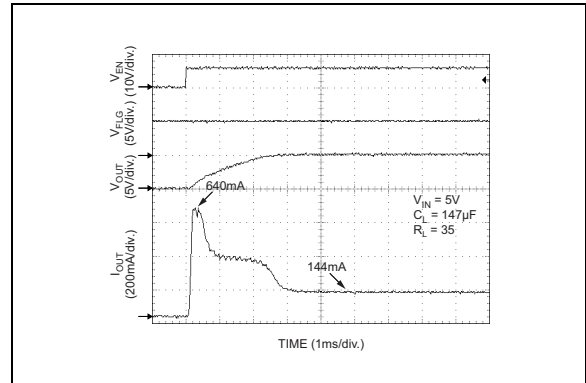
**FIGURE 2-14:** Flag Delay vs. Input Voltage.



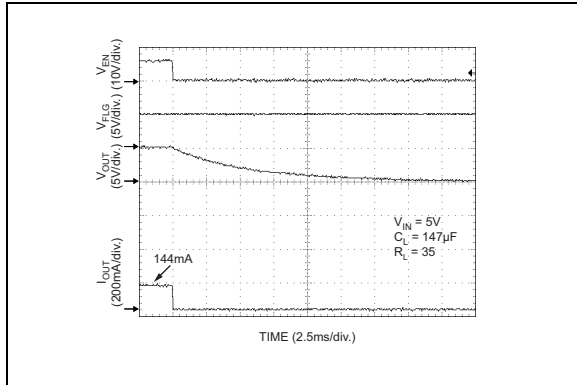
**FIGURE 2-17:** UVLO  $V_{IN}$  Falling (MIC2025-1).



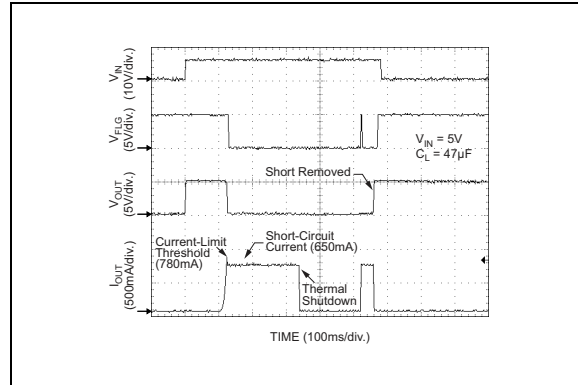
**FIGURE 2-15:** UVLO Threshold vs. Temperature.



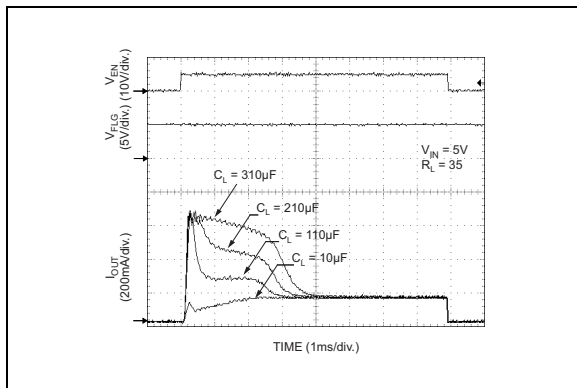
**FIGURE 2-18:** Turn-On Response (MIC2025-1).



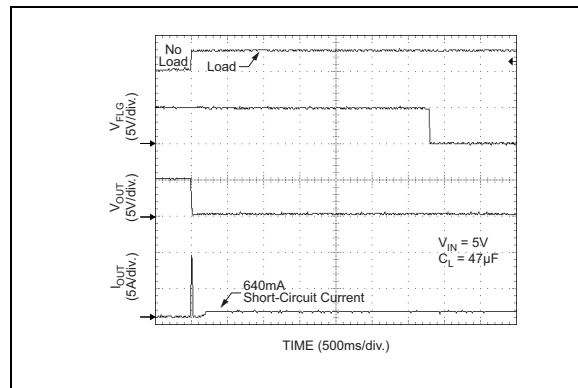
**FIGURE 2-19:** Turn-Off Response (MIC2025-1).



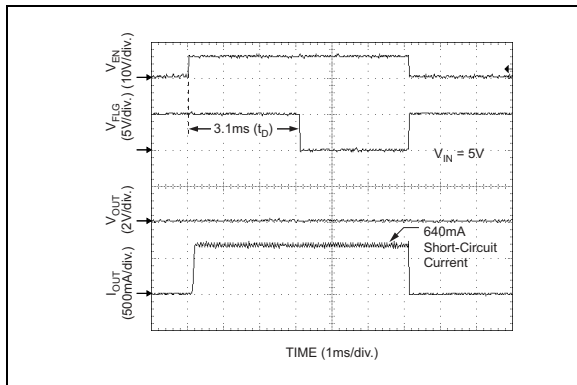
**FIGURE 2-22:** Current-Limit Response (Ramped Load Into Short MIC2025-1).



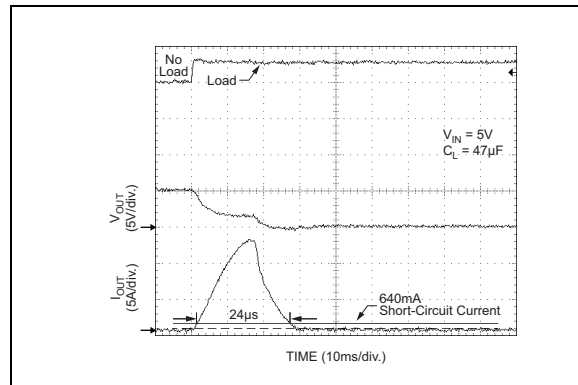
**FIGURE 2-20:** In-Rush Current Response (MIC2025-1).



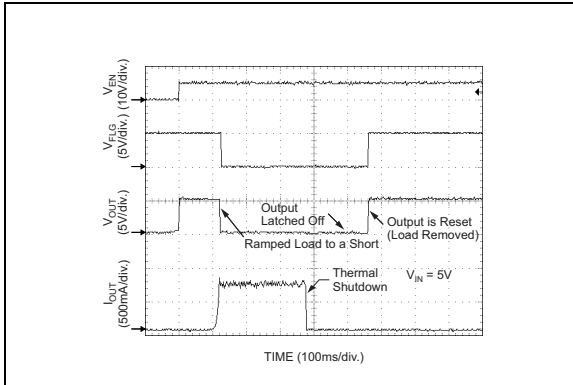
**FIGURE 2-23:** Current-Limit Transient Response (Enable Into Short MIC2025-1).



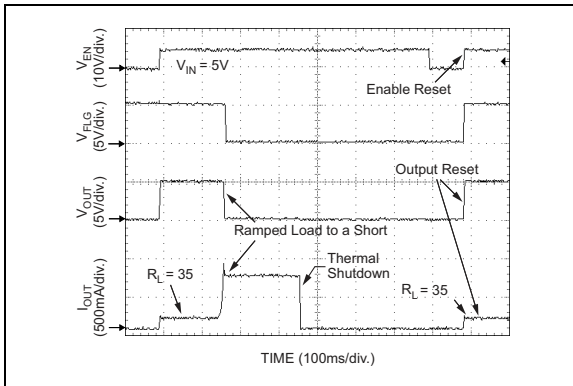
**FIGURE 2-21:** Enable Into Short (MIC2025-1).



**FIGURE 2-24:** Current-Limit Transient Response (MIC2025-1).



**FIGURE 2-25:** Thermal Shutdown Response (Output Reset By Removing Load MIC2075-1).



**FIGURE 2-26:** Thermal Shutdown Response (Output Reset By Toggling Enable MIC2075-1).

# MIC2025/2075

---

## 3.0 PIN DESCRIPTIONS

The descriptions of the pins are listed in [Table 3-1](#).

**TABLE 3-1: PIN FUNCTION TABLE**

Pin Number	Pin Name	Description
1	EN	Switch Enable (Input): Active-high (-1) or Active-low (-2).
2	FLG	Fault Flag (Output): Active-low, open-drain output. Indicates overcurrent or thermal shutdown conditions. Overcurrent condition must exceed $t_D$ in order to assert FLG.
3	GND	Ground.
4	NC	Not internally connected.
5	NC	Not internally connected.
6, 8	OUT	Supply (Output): Pins must be connected together.
7	IN	Supply voltage (Input).

## 4.0 FUNCTIONAL DESCRIPTION

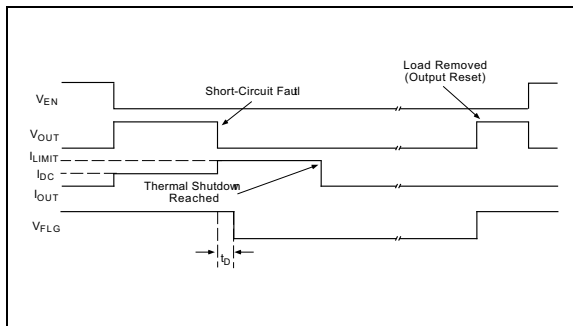
### 4.1 Input and Output

IN is the power supply connection to the logic circuitry and the drain of the output MOSFET. OUT is the source of the output MOSFET. In a typical circuit, current flows from IN to OUT toward the load. If  $V_{OUT}$  is greater than  $V_{IN}$ , current will flow from OUT to IN, since the switch is bidirectional when enabled. The output MOSFET and driver circuitry are also designed to allow the MOSFET source to be externally forced to a higher voltage than the drain ( $V_{OUT} > V_{IN}$ ) when the switch is disabled. In this situation, the MIC2025/75 prevents undesirable current flow from OUT to IN.

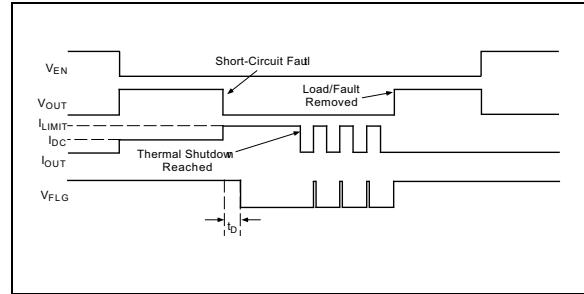
### 4.2 Thermal Shutdown

Thermal shutdown is employed to protect the device from damage should the die temperature exceed safe margins due mainly to short circuit faults. Thermal shutdown shuts off the output MOSFET and asserts the FLG output if the die temperature reaches 140°C. The MIC2025 will automatically reset its output should the die temperature cool down to 120°C. The MIC2025 output and FLG signal will continue to cycle on and off until the device is disabled or the fault is removed. [Figure 4-2](#) depicts typical timing. If the MIC2075 goes into thermal shutdown, its output will latch off and a pull-up current source is activated. This allows the output latch to automatically reset when the load (such as a USB device) is removed. The output can also be reset by toggling EN. Refer to [Figure 4-1](#) for details.

Depending on PCB layout, package, ambient temperature, etc., it may take several hundred milliseconds from the incidence of the fault to the output MOSFET being shut off. The worst-case scenario of thermal shutdown is that of a short-circuit fault and is shown in [Figure 2-25](#) and [Figure 2-26](#).



**FIGURE 4-1:** MIC2075-2 Timing: Output Reset by Removing Load.



**FIGURE 4-2:** MIC2025-2 Timing.

### 4.3 Power Dissipation

The device's junction temperature depends on several factors such as the load, PCB layout, ambient temperature, and package type. Equations that can be used to calculate power dissipation and junction temperature are found in [Equation 4-1](#) and [Equation 4-2](#).

#### EQUATION 4-1:

$$P_D = R_{DS(on)} \times I_{OUT}^2$$

#### EQUATION 4-2:

$$T_J = P_D \times \theta_{JA} + T_A$$

Where:

- $T_J$  = Junction Temperature
- $T_A$  = Ambient Temperature
- $\theta_{JA}$  = The Thermal Resistance of the Package

### 4.4 Current Sensing and Limiting

The current-limit threshold is preset internally. The preset level prevents damage to the device and external load but still allows a minimum current of 500 mA to be delivered to the load.

The current-limit circuit senses a portion of the output MOSFET switch current. The current-sense resistor shown in the [Functional Block Diagram](#) is virtual and has no voltage drop. The reaction to an overcurrent condition varies with three scenarios:

## 4.4.1 SWITCH ENABLED INTO SHORT-CIRCUIT

If a switch is enabled into a heavy load or short-circuit, the switch immediately enters into a constant-current mode, reducing the output voltage. The FLG signal is asserted indicating an overcurrent condition. See [Figure 2-21](#).

## 4.4.2 SHORT-CIRCUIT APPLIED TO ENABLED OUTPUT

When a heavy load or short-circuit is applied to an enabled switch, a large transient current may flow until the current-limit circuitry responds. Once this occurs, the device limits current to less than the short-circuit current limit specification. See [Figure 2-23](#).

## 4.4.3 CURRENT-LIMIT RESPONSE - RAMPED LOAD

The MIC2025/75 current-limit profile exhibits a small foldback effect of about 200 mA. Once this current-limit threshold is exceeded the device switches into a constant current mode. It is important to note that the device will supply current until the current-limit threshold is exceeded. See [Figure 2-22](#).

## 4.5 Fault Flag

The FLG signal is an N-channel open-drain MOSFET output. FLG is asserted (active-low) when either an overcurrent or thermal shutdown condition occurs. In the case of an overcurrent condition, FLG will be asserted only after the flag response delay time,  $t_D$ , has elapsed. This ensures that FLG is asserted only upon valid overcurrent conditions and that erroneous error reporting is eliminated. For example, false overcurrent conditions can occur during hot plug events when a highly capacitive load is connected and causes a high transient inrush current that exceeds the current-limit threshold. The FLG response delay time  $t_D$  is typically 3 ms.

## 4.6 Undervoltage Lockout

Undervoltage lockout (UVLO) prevents the output MOSFET from turning on until  $V_{IN}$  exceeds approximately 2.5V. Undervoltage detection functions only when the switch is enabled.

## 5.0 APPLICATION INFORMATION

### 5.1 Supply Filtering

A 0.1  $\mu\text{F}$  to 1  $\mu\text{F}$  bypass capacitor positioned close to VIN and GND of the device is strongly recommended to control supply transients. Without a bypass capacitor, an output short may cause sufficient ringing on the input (from supply lead inductance) to damage internal control circuitry.

### 5.2 Printed Circuit Board Hot-Plug

The MIC2025/75 are ideal inrush current-limiters for hot plug applications. Due to their integrated charge pumps, the MIC2025/75 present a high impedance when off and slowly become a low impedance as their integrated charge pumps turn on. This soft-start feature effectively isolates power supplies from highly capacitive loads by reducing inrush current. Equation 5-1 shows how the MIC2075 may be used in a card hot-plug application.

In cases of extremely large capacitive loads ( $>400 \mu\text{F}$ ), the length of the transient due to inrush current may exceed the delay provided by the integrated filter. Since this inrush current exceeds the current-limit delay specification, FLG will be asserted during this time. To prevent the logic controller from responding to FLG being asserted, an external RC filter, as shown in Equation 5-2, can be used to filter out transient FLG assertion. The value of the RC time constant should be selected to match the length of the transient, less  $t_{D(\text{min})}$  of the MIC2025/75.

### 5.3 Universal Serial Bus (USB) Power Distribution

The MIC2025/75 are ideally suited for USB (Universal Serial Bus) power distribution applications. The USB specification defines power distribution for USB host systems such as PCs and USB hubs. Hubs can either be self-powered or bus-powered (that is, powered from the bus). Equation 5-3 shows a typical USB Host application that may be suited for mobile PC applications employing USB. The requirement for USB host systems is that the port must supply a minimum of 500 mA at an output voltage of  $5\text{V} \pm 5\%$ . In addition, the output power delivered must be limited to below 25 VA. Upon an overcurrent condition, the host must also be notified. To support hot-plug events, the hub must have a minimum of 120  $\mu\text{F}$  of bulk capacitance, preferably low ESR electrolytic or tantalum. Please refer to Application Note 17 for more details on designing compliant USB hub and host systems.

For bus-powered hubs, USB requires that each downstream port be switched on or off under control by the host. Up to four downstream ports each capable of supplying 100 mA at 4.4V minimum are allowed. In addition, to reduce voltage droop on the upstream

$V_{\text{BUS}}$ , soft-start is necessary. Although the hub can consume up to 500 mA from the upstream bus, the hub must consume only 100 mA max at start-up, until it enumerates with the host prior to requesting more power. The same requirements apply for bus-powered peripherals that have no downstream ports. Equation 5-4 shows a bus-powered hub.

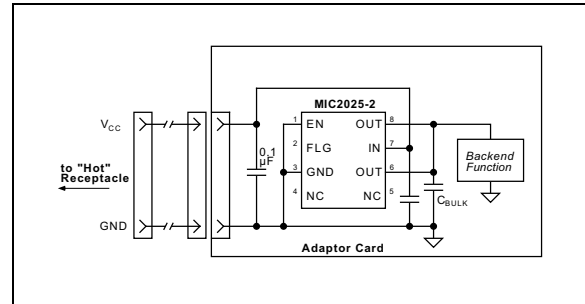


FIGURE 5-1: Hot-Plug Application.

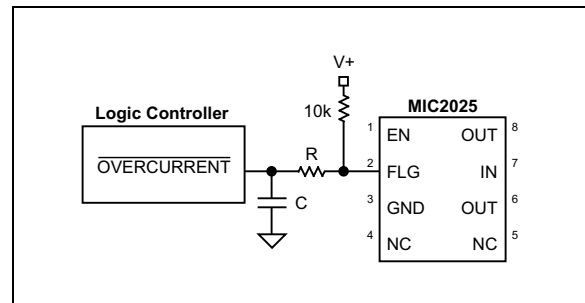
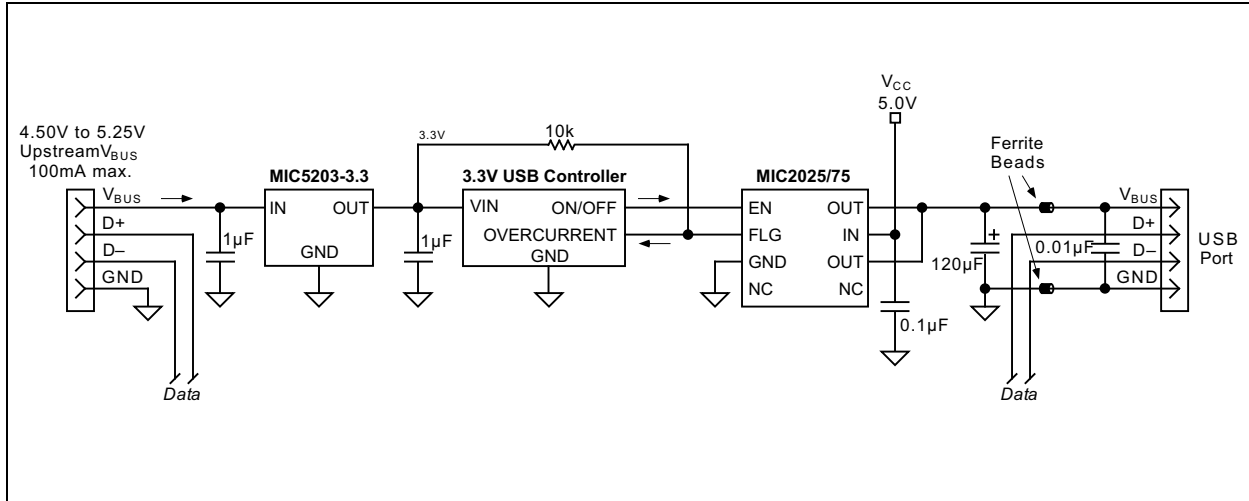
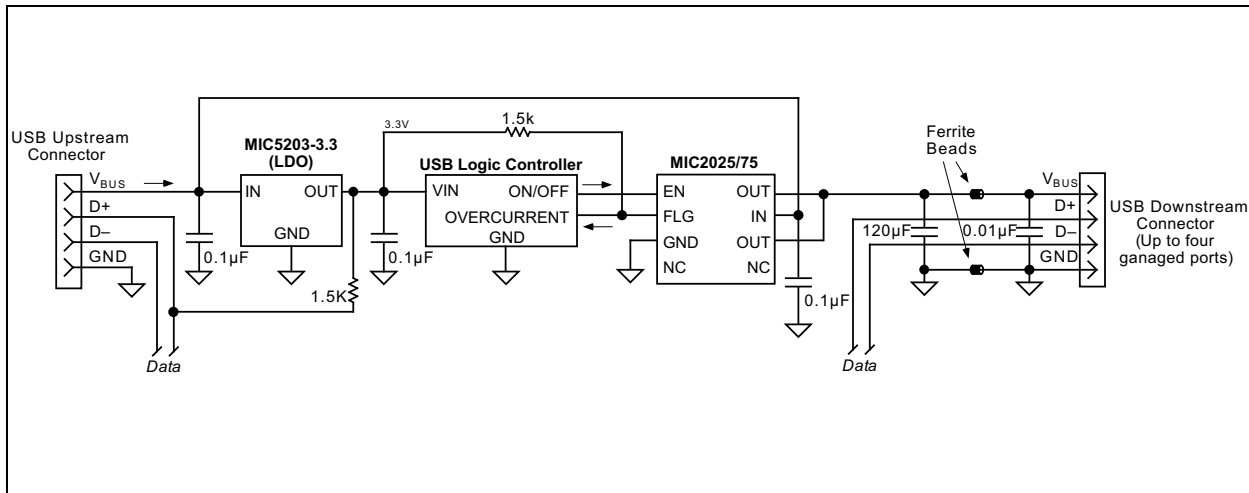


FIGURE 5-2: Transient Filter.

# MIC2025/2075



**FIGURE 5-3:** USB Host Application.

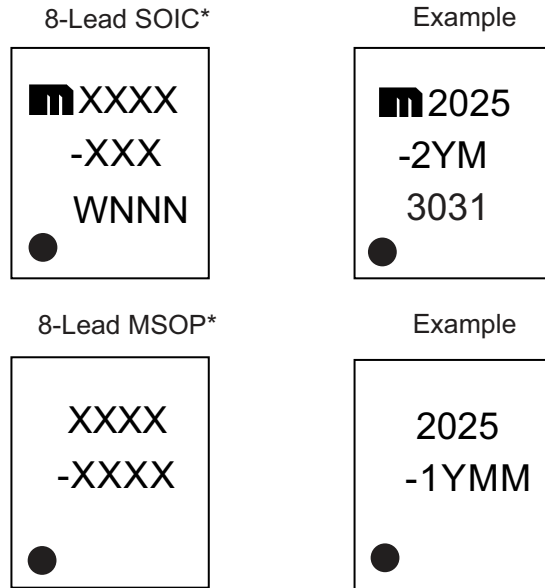


**FIGURE 5-4:** USB Bus-Powered Hub.



## 6.0 PACKAGING INFORMATION

### 6.1 Package Marking Information



<p><b>Legend:</b></p> <p>XX...X Product code or customer-specific information</p> <p>Y Year code (last digit of calendar year)</p> <p>YY Year code (last 2 digits of calendar year)</p> <p>WW Week code (week of January 1 is week '01')</p> <p>NNN Alphanumeric traceability code</p> <p>(e3) Pb-free JEDEC® designator for Matte Tin (Sn)</p> <p>* This package is Pb-free. The Pb-free JEDEC designator (e3) can be found on the outer packaging for this package.</p> <p>•, ▲, ▼ Pin one index is identified by a dot, delta up, or delta down (triangle mark).</p>
<p><b>Note:</b> In the event the full Microchip part number cannot be marked on one line, it will be carried over to the next line, thus limiting the number of available characters for customer-specific information. Package may or may not include the corporate logo.</p> <p>Underbar ( ) and/or Overbar ( ) symbol may not be to scale.</p>

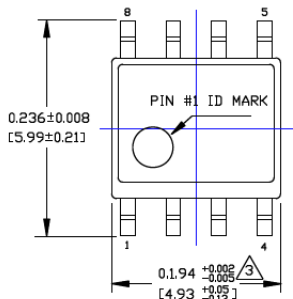
# MIC2025/2075

## 8-Lead SOIC-8 Package Outline and Recommended Land Pattern

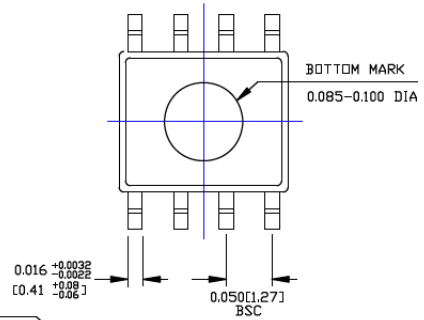
**TITLE**

8 LEAD SOICN PACKAGE OUTLINE & RECOMMENDED LAND PATTERN

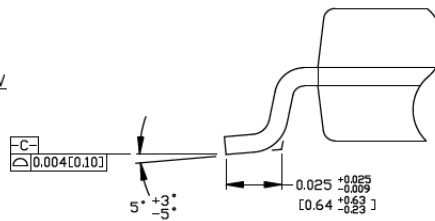
<b>DRAWING #</b>	SOICN-8LD-PL-1	<b>UNIT</b>	INCH [MM]
------------------	----------------	-------------	-----------



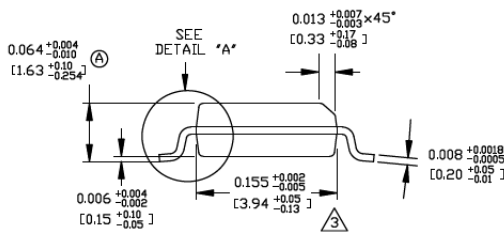
TOP VIEW



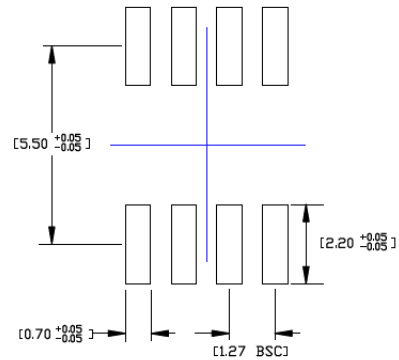
BOTTOM VIEW



DETAIL "A"



END VIEW



RECOMMENDED LAND PATTERN

**NOTES:**

1. DIMENSIONS ARE IN INCHES[MM].
2. CONTROLLING DIMENSION: INCHES.
3. DIMENSION DOES NOT INCLUDE MOLD FLASH OR PROTRUSIONS, EITHER OF WHICH SHALL NOT EXCEED 0.010[0.25] PER SIDE.

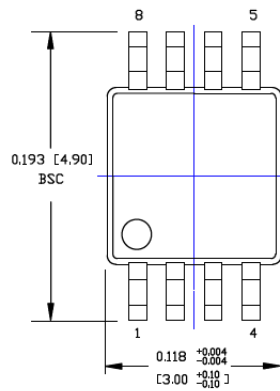
Note: For the most current package drawings, please see the Microchip Packaging Specification located at <http://www.microchip.com/packaging>.

## 8-Lead MSOP-8 Package Outline and Recommended Land Pattern

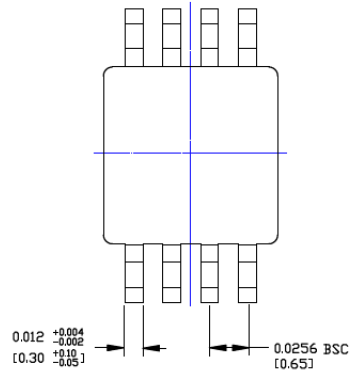
**TITLE**

8 LEAD MSOP PACKAGE OUTLINE & RECOMMENDED LAND PATTERN

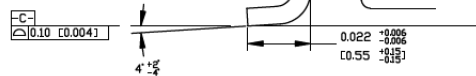
DRAWING #	MSOP-8LD-PL-1	UNIT	INCH [MM]
-----------	---------------	------	-----------



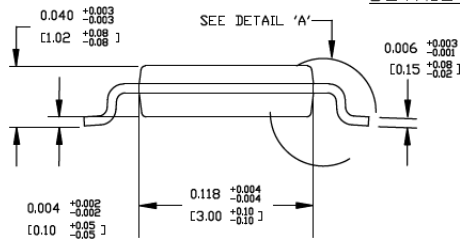
TOP VIEW



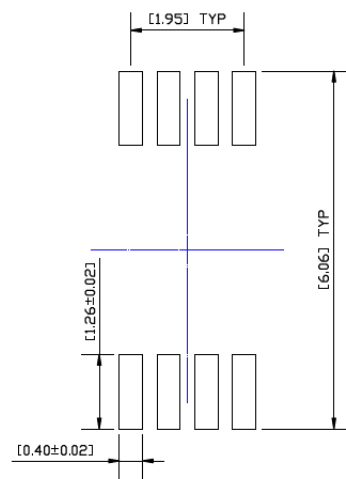
BOTTOM VIEW



DETAIL A



SIDE VIEW



RECOMMENDED LAND PATTERN

**NOTES:**

1. DIMENSIONS ARE IN INCHES [MM].
2. CONTROLLING DIMENSION: MM
3. DIMENSION DOES NOT INCLUDE MOLD FLASH OR PROTRUSIONS, EITHER OF WHICH SHALL NOT EXCEED 0.008 [0.20] PER SIDE.

Note: For the most current package drawings, please see the Microchip Packaging Specification located at <http://www.microchip.com/packaging>.



## APPENDIX A: REVISION HISTORY

### Revision A (June 2018)

- Converted Micrel document MIC2025/2075 to Microchip data sheet DS20006030A.
- Minor text changes throughout.

# MIC2025/2075

---

NOTES:

## PRODUCT IDENTIFICATION SYSTEM

To order or obtain information, e.g., on pricing or delivery, contact your local Microchip representative or sales office.

<u>PART NO.</u>	<u>-X</u>	<u>X</u>	<u>XX</u>	<u>-XX</u>	
Device	Control/ Enable	Junction Temperature Range	Package	Media Type	
<b>Device:</b>	MIC2025:	Single Channel Power Distribution Switch			
	MIC2075:	Single Channel Power Distribution Switch with Circuit Breaker Mode			
<b>Control/Enable:</b>	1	=	Active-High		
	2	=	Active-Low		
<b>Junction Temperature Range:</b>	Y	=	-40°C to +85°C (RoHs Compliant, Pb-Free, Halogen Free)		
<b>Package:</b>	M	=	8-Lead SOIC		
	MM	=	8-Lead MSOP		
<b>Media Type:</b>	Blank	=	95/Tube		
	Blank	=	100/Tube		
	TR	=	2,500/Reel		

<b>Examples:</b>	
a) MIC2025-1YM:	Single Channel Power Distribution Switch, Active-High Control Enable, -40°C to +85°C Temp. Range, 8-Lead SOIC Package, 95/Tube
b) MIC2025-2YMM:	Single Channel Power Distribution Switch, Active-Low Control Enable, -40°C to +85°C Temp. Range, 8-Lead MSOP Package, 100/Tube
c) MIC2025-1YM-TR:	Single Channel Power Distribution Switch, Active-High Control Enable, -40°C to +85°C Temp. Range, 8-Lead SOIC Package, 2,500/Reel
d) MIC2025-2YMM-TR:	Single Channel Power Distribution Switch, Active-Low Control Enable, -40°C to +85°C Temp. Range, 8-Lead MSOP Package, 2,500/Reel
e) MIC2075-1YM	Single Channel Power Distribution Switch with Circuit Breaker Mode, Active-High Control Enable, -40°C to +85°C Temp. Range, 8-Lead SOIC Package, 95/Tube
f) MIC2075-1YM-TR:	Single Channel Power Distribution Switch with Circuit Breaker Mode, Active-High Control Enable, -40°C to +85°C Temp. Range, 8-Lead SOIC Package, 2,500/Reel
g) MIC2075-2YMM-TR:	Single Channel Power Distribution Switch with Circuit Breaker Mode, Active-Low Control Enable, -40°C to +85°C Temp. Range, 8-Lead MSOP Package, 2,500/Reel
<b>Note 1:</b>	Tape and Reel identifier only appears in the catalog part number description. This identifier is used for ordering purposes and is not printed on the device package. Check with your Microchip Sales Office for package availability with the Tape and Reel option.





---

---

**Note the following details of the code protection feature on Microchip devices:**

- Microchip products meet the specification contained in their particular Microchip Data Sheet.
- Microchip believes that its family of products is one of the most secure families of its kind on the market today, when used in the intended manner and under normal conditions.
- There are dishonest and possibly illegal methods used to breach the code protection feature. All of these methods, to our knowledge, require using the Microchip products in a manner outside the operating specifications contained in Microchip's Data Sheets. Most likely, the person doing so is engaged in theft of intellectual property.
- Microchip is willing to work with the customer who is concerned about the integrity of their code.
- Neither Microchip nor any other semiconductor manufacturer can guarantee the security of their code. Code protection does not mean that we are guaranteeing the product as “unbreakable.”

Code protection is constantly evolving. We at Microchip are committed to continuously improving the code protection features of our products. Attempts to break Microchip's code protection feature may be a violation of the Digital Millennium Copyright Act. If such acts allow unauthorized access to your software or other copyrighted work, you may have a right to sue for relief under that Act.

---

Information contained in this publication regarding device applications and the like is provided only for your convenience and may be superseded by updates. It is your responsibility to ensure that your application meets with your specifications. MICROCHIP MAKES NO REPRESENTATIONS OR WARRANTIES OF ANY KIND WHETHER EXPRESS OR IMPLIED, WRITTEN OR ORAL, STATUTORY OR OTHERWISE, RELATED TO THE INFORMATION, INCLUDING BUT NOT LIMITED TO ITS CONDITION, QUALITY, PERFORMANCE, MERCHANTABILITY OR FITNESS FOR PURPOSE. Microchip disclaims all liability arising from this information and its use. Use of Microchip devices in life support and/or safety applications is entirely at the buyer's risk, and the buyer agrees to defend, indemnify and hold harmless Microchip from any and all damages, claims, suits, or expenses resulting from such use. No licenses are conveyed, implicitly or otherwise, under any Microchip intellectual property rights unless otherwise stated.

*Microchip received ISO/TS-16949:2009 certification for its worldwide headquarters, design and wafer fabrication facilities in Chandler and Tempe, Arizona; Gresham, Oregon and design centers in California and India. The Company's quality system processes and procedures are for its PIC® MCUs and dsPIC® DSCs, KEELOQ® code hopping devices, Serial EEPROMs, microperipherals, nonvolatile memory and analog products. In addition, Microchip's quality system for the design and manufacture of development systems is ISO 9001:2000 certified.*

**QUALITY MANAGEMENT SYSTEM  
CERTIFIED BY DNV  
= ISO/TS 16949 =**

### Trademarks

The Microchip name and logo, the Microchip logo, AnyRate, AVR, AVR logo, AVR Freaks, BeaconThings, BitCloud, CryptoMemory, CryptoRF, dsPIC, FlashFlex, flexPWR, Helder, JukeBlox, KEELOQ, KEELOQ logo, Klear, LANCheck, LINK MD, maXStylus, maXTouch, MediaLB, megaAVR, MOST, MOST logo, MPLAB, OptoLyzer, PIC, picoPower, PICSTART, PIC32 logo, Prochip Designer, QTouch, RightTouch, SAM-BA, SpyNIC, SST, SST Logo, SuperFlash, tinyAVR, UNI/O, and XMEGA are registered trademarks of Microchip Technology Incorporated in the U.S.A. and other countries.

ClockWorks, The Embedded Control Solutions Company, EtherSynch, Hyper Speed Control, HyperLight Load, IntelliMOS, mTouch, Precision Edge, and Quiet-Wire are registered trademarks of Microchip Technology Incorporated in the U.S.A.

Adjacent Key Suppression, AKS, Analog-for-the-Digital Age, Any Capacitor, AnyIn, AnyOut, BodyCom, chipKIT, chipKIT logo, CodeGuard, CryptoAuthentication, CryptoCompanion, CryptoController, dsPICDEM, dsPICDEM.net, Dynamic Average Matching, DAM, ECAN, EtherGREEN, In-Circuit Serial Programming, ICSP, Inter-Chip Connectivity, JitterBlocker, KlearNet, KlearNet logo, Mindi, MiWi, motorBench, MPASM, MPF, MPLAB Certified logo, MPLIB, MPLINK, MultiTRAK, NetDetach, Omniscient Code Generation, PICDEM, PICDEM.net, PICKit, PICTail, PureSilicon, QMatrix, RightTouch logo, REAL ICE, Ripple Blocker, SAM-ICE, Serial Quad I/O, SMART-I.S., SQI, SuperSwitcher, SuperSwitcher II, Total Endurance, TSHARC, USBCheck, VariSense, ViewSpan, WiperLock, Wireless DNA, and ZENA are trademarks of Microchip Technology Incorporated in the U.S.A. and other countries.

SQTP is a service mark of Microchip Technology Incorporated in the U.S.A.

Silicon Storage Technology is a registered trademark of Microchip Technology Inc. in other countries.

GestIC is a registered trademark of Microchip Technology Germany II GmbH & Co. KG, a subsidiary of Microchip Technology Inc., in other countries.

All other trademarks mentioned herein are property of their respective companies.

© 2018, Microchip Technology Incorporated, All Rights Reserved.  
ISBN: 978-1-5224-3276-0



# MICROCHIP

## Worldwide Sales and Service

### AMERICAS

**Corporate Office**  
2355 West Chandler Blvd.  
Chandler, AZ 85224-6199  
Tel: 480-792-7200  
Fax: 480-792-7277  
Technical Support:  
<http://www.microchip.com/support>  
Web Address:  
[www.microchip.com](http://www.microchip.com)

#### Atlanta

Duluth, GA  
Tel: 678-957-9614  
Fax: 678-957-1455

#### Austin, TX

Tel: 512-257-3370

#### Boston

Westborough, MA  
Tel: 774-760-0087  
Fax: 774-760-0088

#### Chicago

Itasca, IL  
Tel: 630-285-0071  
Fax: 630-285-0075

#### Dallas

Addison, TX  
Tel: 972-818-7423  
Fax: 972-818-2924

#### Detroit

Novi, MI  
Tel: 248-848-4000

#### Houston, TX

Tel: 281-894-5983

#### Indianapolis

Noblesville, IN  
Tel: 317-773-8323  
Fax: 317-773-5453  
Tel: 317-536-2380

#### Los Angeles

Mission Viejo, CA  
Tel: 949-462-9523  
Fax: 949-462-9608  
Tel: 951-273-7800

#### Raleigh, NC

Tel: 919-844-7510

#### New York, NY

Tel: 631-435-6000

#### San Jose, CA

Tel: 408-735-9110  
Tel: 408-436-4270

#### Canada - Toronto

Tel: 905-695-1980  
Fax: 905-695-2078

### ASIA/PACIFIC

**Australia - Sydney**  
Tel: 61-2-9868-6733

**China - Beijing**  
Tel: 86-10-8569-7000

**China - Chengdu**  
Tel: 86-28-8665-5511

**China - Chongqing**  
Tel: 86-23-8980-9588

**China - Dongguan**  
Tel: 86-769-8702-9880

**China - Guangzhou**  
Tel: 86-20-8755-8029

**China - Hangzhou**  
Tel: 86-571-8792-8115

**China - Hong Kong SAR**  
Tel: 852-2943-5100

**China - Nanjing**  
Tel: 86-25-8473-2460

**China - Qingdao**  
Tel: 86-532-8502-7355

**China - Shanghai**  
Tel: 86-21-3326-8000

**China - Shenyang**  
Tel: 86-24-2334-2829

**China - Shenzhen**  
Tel: 86-755-8864-2200

**China - Suzhou**  
Tel: 86-186-6233-1526

**China - Wuhan**  
Tel: 86-27-5980-5300

**China - Xian**  
Tel: 86-29-8833-7252

**China - Xiamen**  
Tel: 86-592-2388138

**China - Zhuhai**  
Tel: 86-756-3210040

### ASIA/PACIFIC

**India - Bangalore**  
Tel: 91-80-3090-4444

**India - New Delhi**  
Tel: 91-11-4160-8631

**India - Pune**  
Tel: 91-20-4121-0141

**Japan - Osaka**  
Tel: 81-6-6152-7160

**Japan - Tokyo**  
Tel: 81-3-6880-3770

**Korea - Daegu**  
Tel: 82-53-744-4301

**Korea - Seoul**  
Tel: 82-2-554-7200

**Malaysia - Kuala Lumpur**  
Tel: 60-3-7651-7906

**Malaysia - Penang**  
Tel: 60-4-227-8870

**Philippines - Manila**  
Tel: 63-2-634-9065

**Singapore**  
Tel: 65-6334-8870

**Taiwan - Hsin Chu**  
Tel: 886-3-577-8366

**Taiwan - Kaohsiung**  
Tel: 886-7-213-7830

**Taiwan - Taipei**  
Tel: 886-2-2508-8600

**Thailand - Bangkok**  
Tel: 66-2-694-1351

**Vietnam - Ho Chi Minh**  
Tel: 84-28-5448-2100

### EUROPE

**Austria - Wels**  
Tel: 43-7242-2244-39  
Fax: 43-7242-2244-393

**Denmark - Copenhagen**  
Tel: 45-4450-2828  
Fax: 45-4485-2829

**Finland - Espoo**  
Tel: 358-9-4520-820

**France - Paris**  
Tel: 33-1-69-53-63-20  
Fax: 33-1-69-30-90-79

**Germany - Garching**  
Tel: 49-8931-9700

**Germany - Haan**  
Tel: 49-2129-3766400

**Germany - Heilbronn**  
Tel: 49-7131-67-3636

**Germany - Karlsruhe**  
Tel: 49-721-625370

**Germany - Munich**  
Tel: 49-89-627-144-0  
Fax: 49-89-627-144-44

**Germany - Rosenheim**  
Tel: 49-8031-354-560

**Israel - Ra'anana**  
Tel: 972-9-744-7705

**Italy - Milan**  
Tel: 39-0331-742611  
Fax: 39-0331-466781

**Italy - Padova**  
Tel: 39-049-7625286

**Netherlands - Drunen**  
Tel: 31-416-690399  
Fax: 31-416-690340

**Norway - Trondheim**  
Tel: 47-7289-7561

**Poland - Warsaw**  
Tel: 48-22-3325737

**Romania - Bucharest**  
Tel: 40-21-407-87-50

**Spain - Madrid**  
Tel: 34-91-708-08-90  
Fax: 34-91-708-08-91

**Sweden - Gothenberg**  
Tel: 46-31-704-60-40

**Sweden - Stockholm**  
Tel: 46-8-5090-4654

**UK - Wokingham**  
Tel: 44-118-921-5800  
Fax: 44-118-921-5820