

4

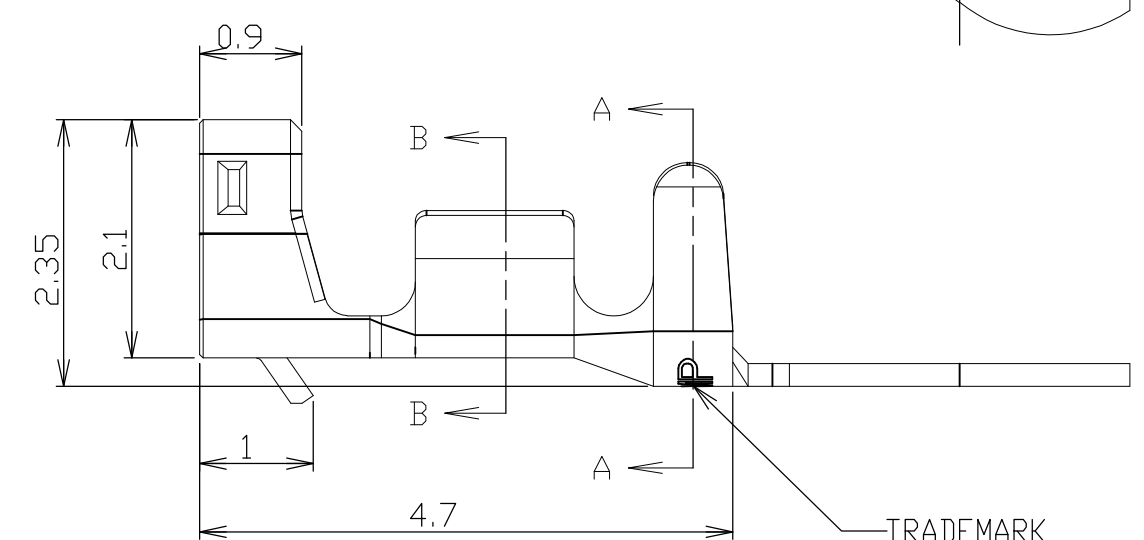
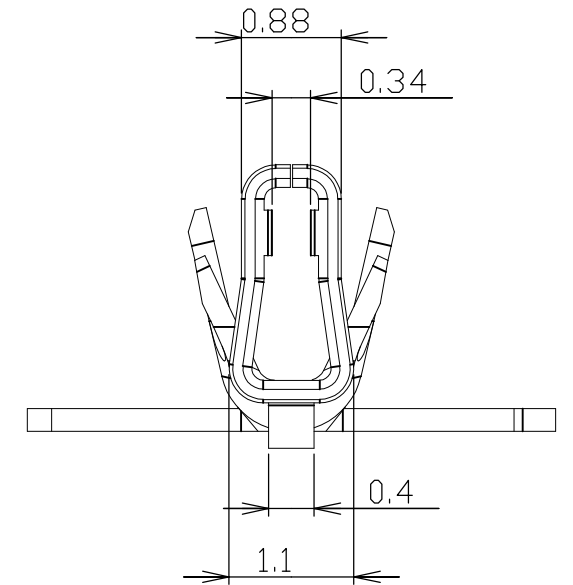
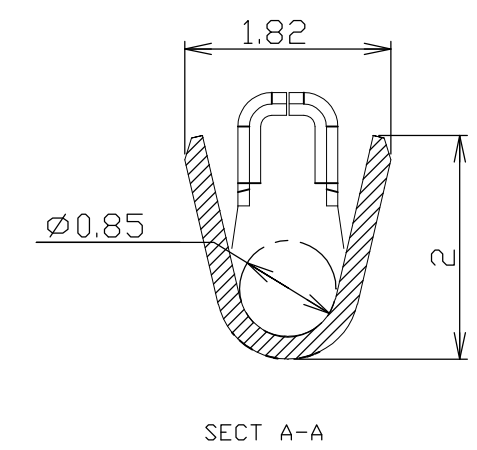
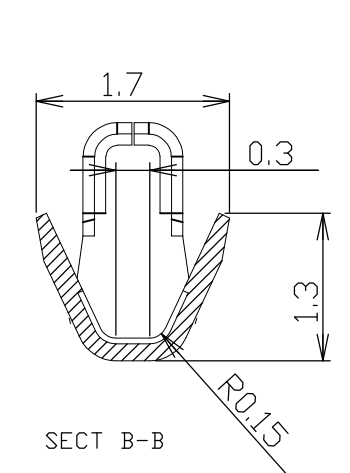
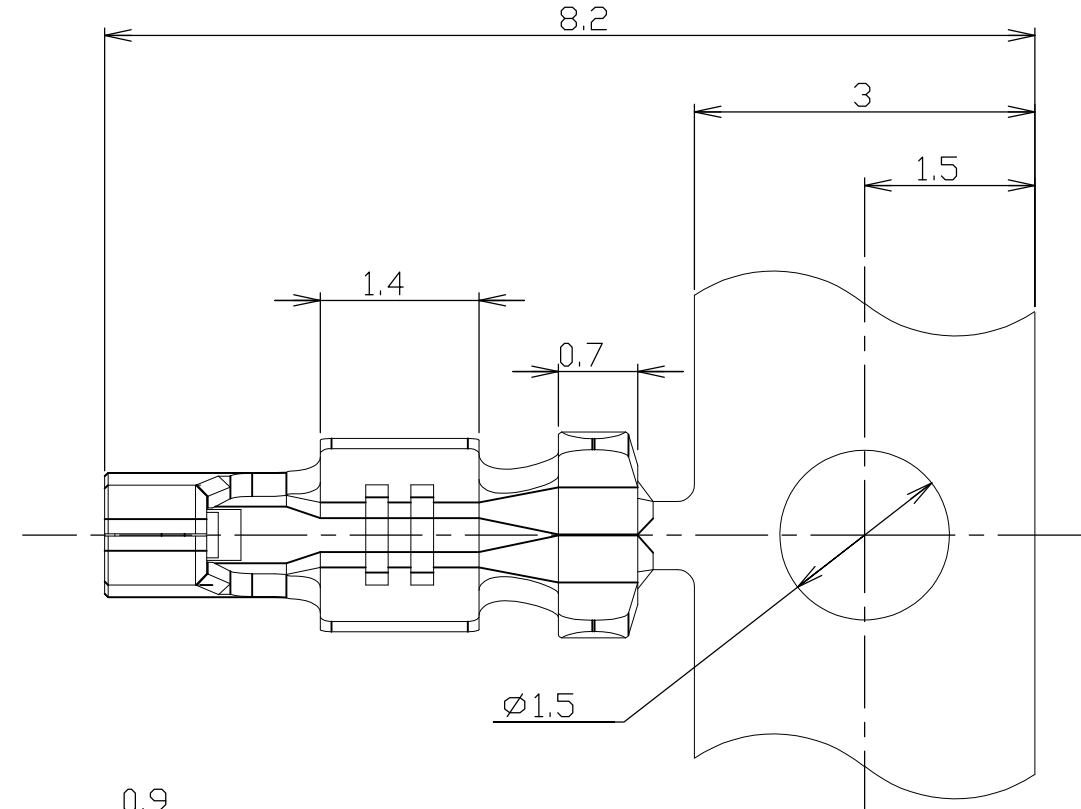
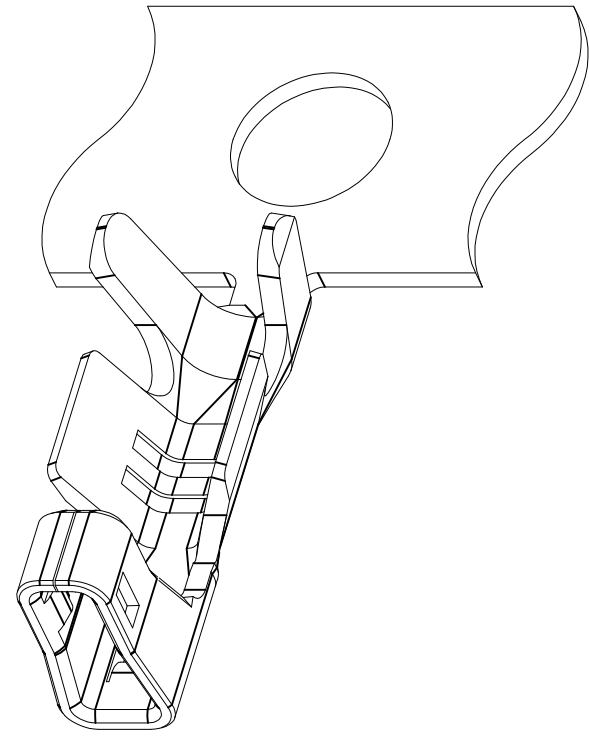
3

2

1

THIS DRAWING IS UNPUBLISHED. RELEASED FOR PUBLICATION
 © COPYRIGHT - By - ALL RIGHTS RESERVED.

LOC	DIST	REVISIONS					
ES	00	P	LTR	DESCRIPTION	DATE	DWN	APVD
				C1 REVISED PER ECO-11-005033	25MAR11	RK	HMR



NOTES:
 1. LOOSE PIECE CONTACT P/N:353918-1
 2. USE WITH HOUSING P/N:X-353908-X

353907-1 AS SHOWN

GENERAL TOLERANCE

$10 \geq$	± 0.2
$30 \geq > 10$	± 0.25
$100 \geq > 30$	± 0.3
ANGLES	$\pm 3^\circ$

THIS DRAWING IS A CONTROLLED DOCUMENT.

DIMENSIONS:	TOLERANCES UNLESS OTHERWISE SPECIFIED:
mm	
	0 PLC $\pm -$
	1 PLC $\pm -$
	2 PLC $\pm -$
	3 PLC $\pm -$
	4 PLC $\pm -$
	ANGLES $\pm -$
MATERIAL	FINISH
PHOS-BRONZE, 0.2mm THK	PRE-TIN

WIRE RANGE	INSULATION DIA	
0.22mm ² ~ 0.08mm ² (AWG#24~AWG#28)	$\phi 1.05 \sim \phi 0.85$	
DWN	H.HOSHINO 26.APR'97	
CHK	J.TANIGAWA 26.APR'97	
APVD	WL CHOO	
PRODUCT SPEC	108-60025	
APPLICATION SPEC	114-5245	
WEIGHT	0.02g/ea	
CUSTOMER DRAWING		
SCALE		NON
SHEET		1 OF 1
REV		C1



AMP MINI COMMON TERMINATED (CT)
 CONNECTOR 1.5mm PITCH
 RECEPTACLE CONTACT(AWG#24~#28), CRIMP TYPE

NAME	SIZE	CAGE CODE	DRAWING NO	RESTRICTED TO
	A3	00779	C-353907	