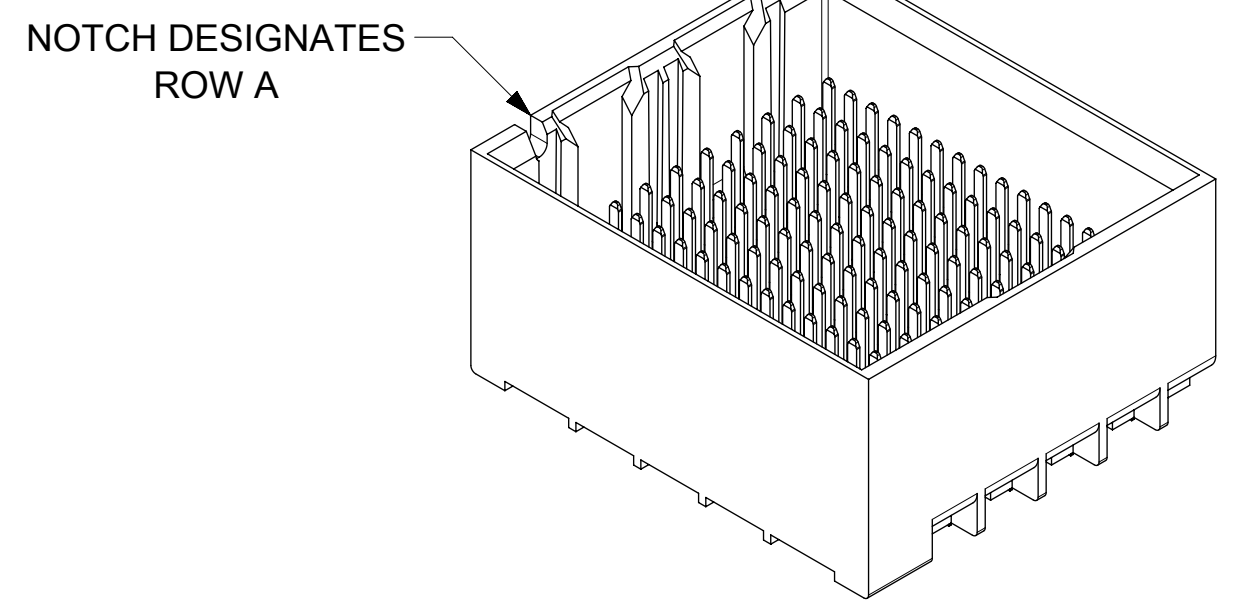


UNGUIDED BACKPLANE HOLE PATTERN (CONNECTOR SIDE) SEE NOTE 9

SEE PART NUMBER CHART AND PART NUMBER LOGIC (15 HOLES PER COLUMN)

Ø 0.10

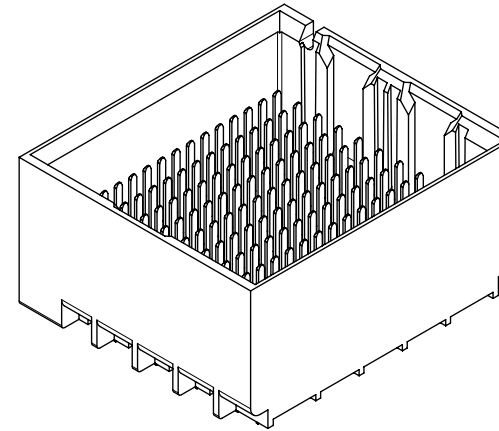


- NOTES:
1. MATERIALS: HOUSING - LIQUID CRYSTAL POLYMER (LCP) GLASS-FILLED, UL94V-0
TERMINALS - HIGH PERFORMANCE COPPER ALLOY
 2. FINISH: 30µ MIN. GOLD IN CONTACT AREA.
SELECTIVE TIN ON PCB TAILS.
NICKEL OVERALL.
 3. REFER TO MOLEX PRODUCT SPECIFICATION PS-76060-999 FOR PERFORMANCE SPECIFICATIONS AND ADDITIONAL PCB INFORMATION.
 4. THIS PART CONFORMS TO CLASS B REQUIREMENTS OF MOLEX COSMETIC SPEC PS-45499-002.
 5. PARTS PACKAGED PER PK-70873-7702.
 6. SEE SHEETS 2 & 3 FOR PART NUMBERS AND BOARD RELATIONSHIPS.
 7. MATES WITH IMPACT DC SERIES NO. 76060.
 8. REFER TO MOLEX PCB ROUTING GUIDE AS-76060-990 FOR ANTIPAD AND ROUTING RECOMMENDATIONS.
 9. "THESE DIMENSIONS REPRESENT THE AREA NEEDED TO ACCOMMODATE CONNECTOR INSERTION AND REPAIR ON THE PC BOARD. THIS IS REFERRED TO AS THE "CONNECTOR KEEP OUT ZONE" AND DOES NOT REPRESENT THE ACTUAL PERIMETER OF THE CONNECTOR. WHEN LAYING OUT A PC BOARD FOR CONNECTORS STACKED TOGETHER, USE THE 1.9mm PROGRESSION."

THIS DRAWING CONTAINS INFORMATION THAT IS PROPRIETARY TO MOLEX ELECTRONIC TECHNOLOGIES, LLC AND SHOULD NOT BE USED WITHOUT WRITTEN PERMISSION											
MIGRATED TO NX EC NO: 167486 DRWN: ABABU01 CHKD: CD REV / APPR: GGA	GENERAL TOLERANCES (UNLESS SPECIFIED)		DIMENSION UNITS	SCALE							
	ANGULAR TOL ± 0.5 °		MM	4:1							
	4 PLACES ±	JLAURX	DATE	2007/06/18		IMPACT 5 PAIR HEADER UNGUIDED ASSEMBLY SALES DRAWING					
	3 PLACES ±	JLAURX	DATE	2007/06/18							
	2 PLACES ± 0.13	JLAURX	DATE	2010/10/15		PRODUCT CUSTOMER DRAWING					
1 PLACE ± 0.25	JLAURX	DATE	2010/10/15		SERIES	MATERIAL NUMBER	CUSTOMER				
0 PLACES ±	JLAURX	DATE	2010/10/15		76055	SEE TABLE	GENERAL MARKET				
DRAFT WHERE APPLICABLE MUST REMAIN WITHIN DIMENSIONS		DRAWING SIZE	THIRD ANGLE PROJECTION		DOCUMENT NUMBER		DOC TYPE	DOC PART	SHEET NUMBER		
C		C			SD-76055-001		PSD	001	1 OF 3		

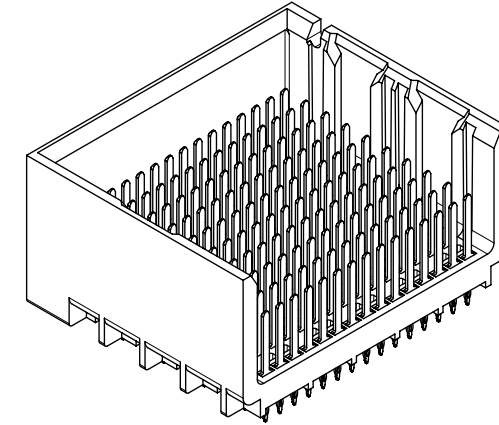
PART NUMBER TABLE

MATERIAL NUMBER	# OF COLUMNS	# OF DIFF PAIR	DIM. A	DIM. B	DUAL END WALL OPTION
76055-*12*	10	50	21.7	17.10	
76055-*22*	12	60	25.5	20.90	
76055-*72*	14	70	29.3	24.70	
76055-*62*	16	80	33.1	28.50	



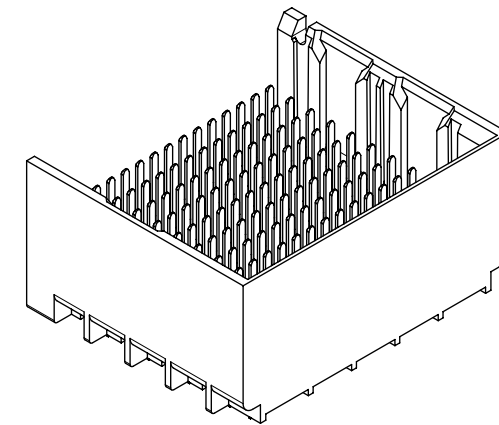
DUAL END
WALL OPTION

MATERIAL NUMBER	# OF COLUMNS	# OF DIFF PAIR	DIM. A	DIM. B	LEFT END WALL OPTION
76055-*11*	10	50	20.3	17.10	
76055-*21*	12	60	24.1	20.90	
76055-*71*	14	70	27.9	24.70	
76055-*61*	16	80	31.7	28.50	



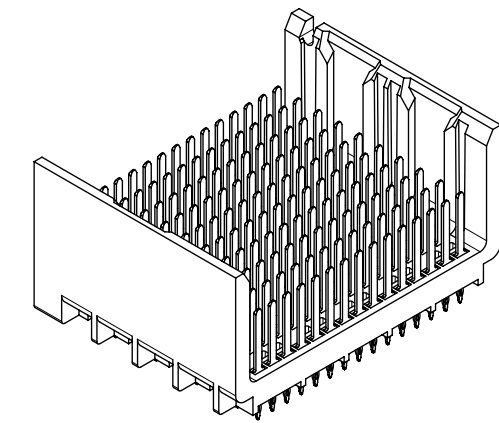
LEFT END
WALL OPTION

MATERIAL NUMBER	# OF COLUMNS	# OF DIFF PAIR	DIM. A	DIM. B	RIGHT END WALL OPTION
76055-*13*	10	50	20.3	17.10	
76055-*23*	12	60	24.1	20.90	
76055-*73*	14	70	27.9	24.70	
76055-*63*	16	80	31.7	28.50	



RIGHT END
WALL OPTION

MATERIAL NUMBER	# OF COLUMNS	# OF DIFF PAIR	DIM. A	DIM. B	OPEN WALL OPTION
76055-*10*	10	50	18.9	17.10	
76055-*20*	12	60	22.7	20.90	
76055-*70*	14	70	26.5	24.70	
76055-*60*	16	80	30.3	28.50	



OPEN
WALL OPTION

THIS DRAWING CONTAINS INFORMATION THAT IS PROPRIETARY TO MOLEX ELECTRONIC TECHNOLOGIES, LLC AND SHOULD NOT BE USED WITHOUT WRITTEN PERMISSION

MIGRATED TO NX EC NO: 167486 DRWN: ABABU01 CHKD: CD REV / APPR: GGA	2017/10/31 2017/10/31 2017/11/02	GENERAL TOLERANCES (UNLESS SPECIFIED) ANGULAR TOL ± 0.5 °	DIMENSION UNITS: MM SCALE: 2:1		
	DRWN BY: JLAURX DATE: 2007/06/18	4 PLACES ± 3 PLACES ± 2 PLACES ± 0.13 1 PLACE ± 0.25 0 PLACES ±	DRWN BY: JLAURX DATE: 2007/06/18		IMPACT 5 PAIR HEADER UNGUIDED ASSEMBLY SALES DRAWING
	APPR BY: JLAURX DATE: 2010/10/15	DRAFT WHERE APPLICABLE MUST REMAIN WITHIN DIMENSIONS	DRAWING SIZE: C THIRD ANGLE PROJECTION		
	SERIES: 76055 MATERIAL NUMBER: SEE TABLE CUSTOMER: GENERAL MARKET	DOCUMENT NUMBER: SD-76055-001 DOC TYPE: PSD DOC PART: 001 SHEET NUMBER: 2 OF 3			

PART NUMBER LOGIC

76055-****

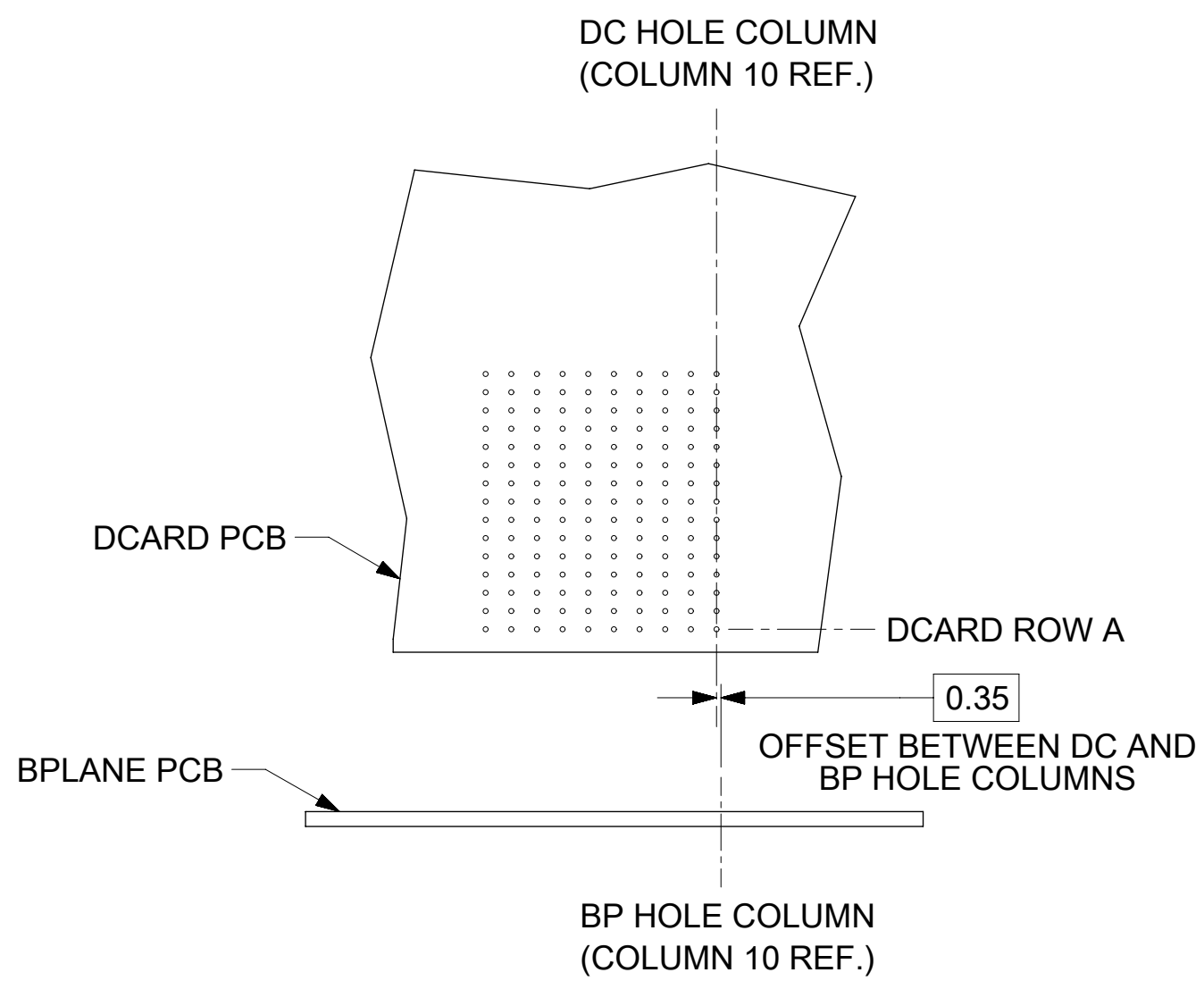
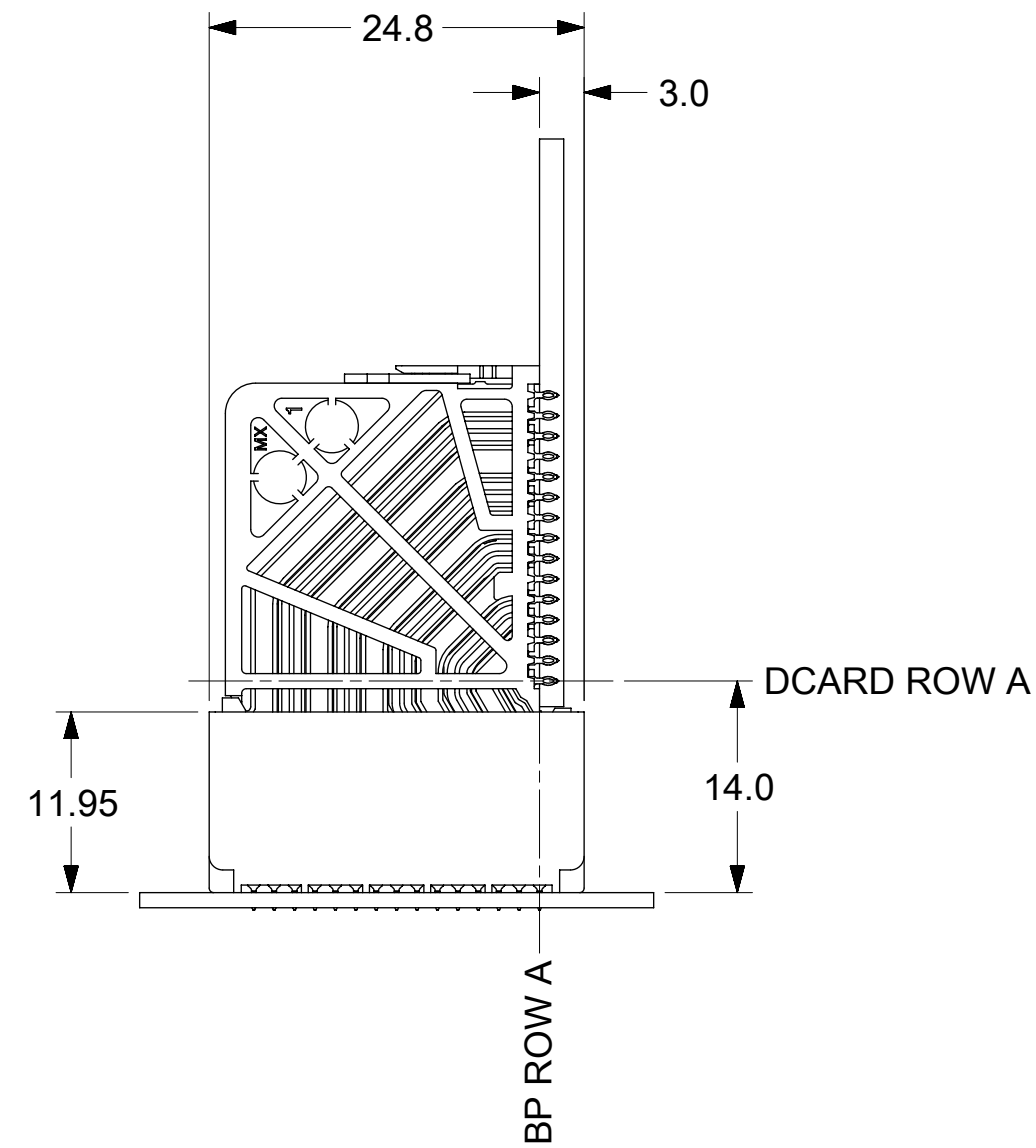
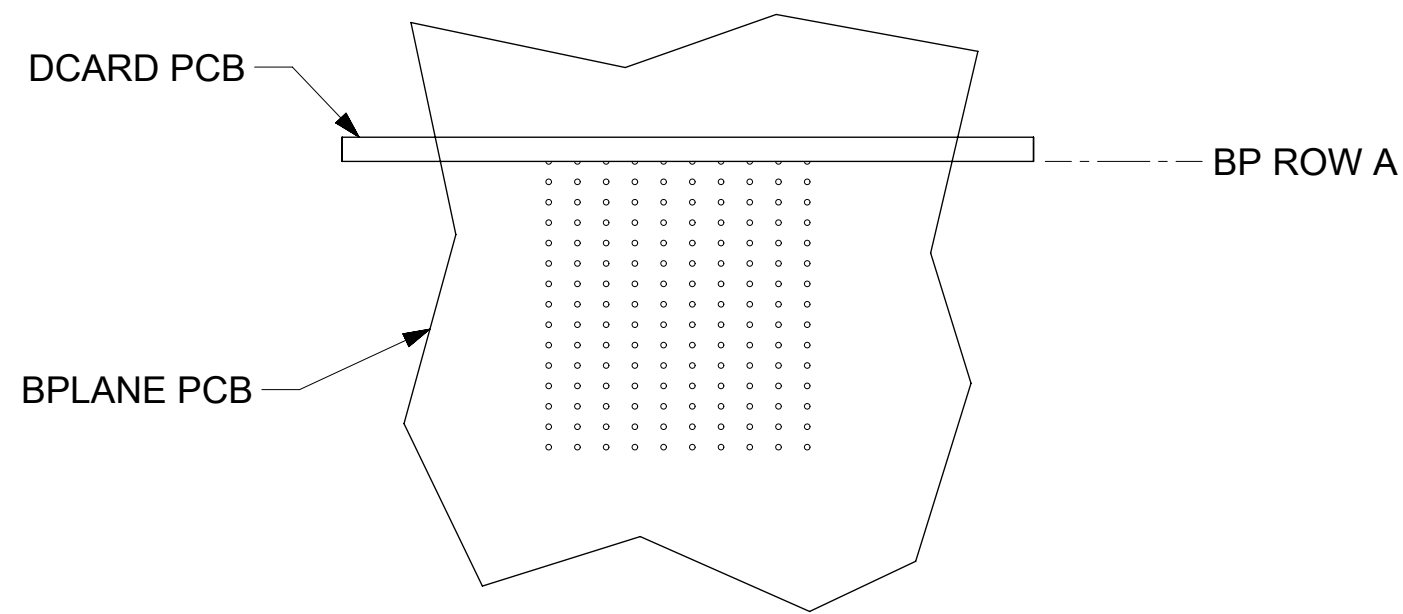
MODULE TYPE
1 = UNGUIDED, TIN

OF COLUMNS
1 = 10 COL.
2 = 12 COL.
6 = 16 COL.
7 = 14 COL.

P=PIN LENGTH
3 = 4.50 (SHORT COMPLIANT, 0.46±0.05 PTH)
4 = 4.90 (SHORT COMPLIANT, 0.46±0.05 PTH)
5 = 5.50 (SHORT COMPLIANT, 0.46±0.05 PTH)
6 = 4.50 (MICRO COMPLIANT, 0.39±0.05 PTH)
7 = 4.90 (MICRO COMPLIANT, 0.39±0.05 PTH)
8 = 5.50 (MICRO COMPLIANT, 0.39±0.05 PTH)

ENDWALL OPTIONS
0 = OPEN ENDS
1 = LEFT END WALL
2 = DUAL END WALL
3 = RIGHT END WALL

IMPACT 5 PAIR BOARD RELATIONSHIPS



THIS DRAWING CONTAINS INFORMATION THAT IS PROPRIETARY TO MOLEX ELECTRONIC TECHNOLOGIES, LLC AND SHOULD NOT BE USED WITHOUT WRITTEN PERMISSION

MIGRATED TO NX EC NO: 167486 DRWN: ABABU01 CHKD: CD REV / APPR: GGA	2017/10/31	2017/10/31	2017/11/02	GENERAL TOLERANCES (UNLESS SPECIFIED) ANGULAR TOL ± 0.5 ° 4 PLACES ± 3 PLACES ± 2 PLACES ± 0.13 1 PLACE ± 0.25 0 PLACES ± DRAFT WHERE APPLICABLE MUST REMAIN WITHIN DIMENSIONS	DIMENSION UNITS	SCALE		
					MM	2:1		
	JLAURX	2007/06/18	JLAURX		2007/06/18	JLAURX		2010/10/15
J2					DRAWING SIZE	THIRD ANGLE PROJECTION	SERIES: 76055 MATERIAL NUMBER: SEE TABLE CUSTOMER: GENERAL MARKET DOCUMENT NUMBER: SD-76055-001 DOC TYPE: PSD DOC PART: 001 SHEET NUMBER: 3 OF 3	