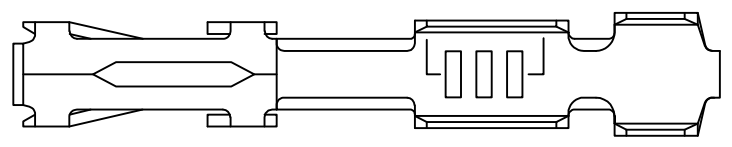
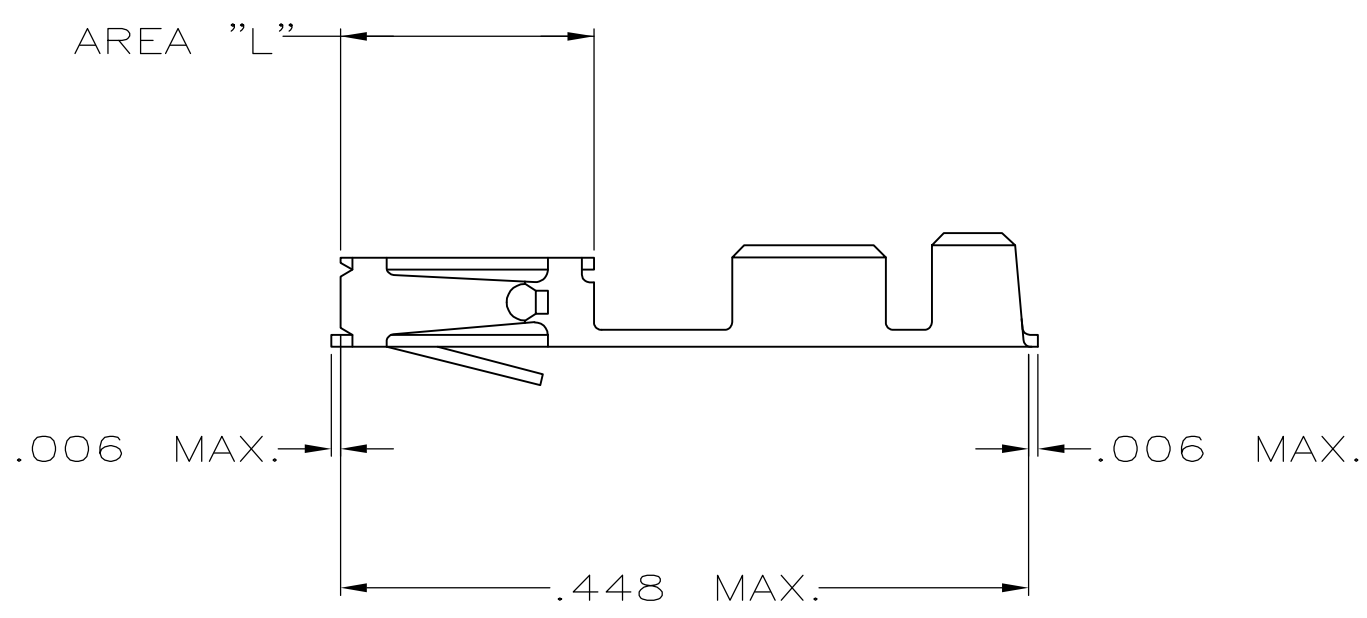


THIS DRAWING IS UNPUBLISHED. RELEASED FOR PUBLICATION
 © COPYRIGHT - By - ALL RIGHTS RESERVED.

| LOC | DIST | REVISIONS | | | | | |
|-----|------|-----------|-----|---------------------------|---------|-----|------|
| AD | 00 | P | LTR | DESCRIPTION | DATE | DWN | APVD |
| | | B1 | | REVISED PER ECO-11-004587 | 11MAR11 | RK | HMR |



1. LOOSE PIECE TERMINAL MUST MEET ALL APPLICABLE STRIP SPECIFICATIONS IN ADDITION TO THOSE SHOWN.
2. .000030 MIN. GOLD OVER .000050-.000100 NICKEL.
3. GOLD FLASH OVER .000050-.000100 NICKEL
.000030 GOLD ON CONTACT AREA.
4. PREPLATING: .000078-.000158 BRIGHT TIN (HALT)
PER 112-20-6
5. .000050 GOLD OVER .000050-.000100 NICKEL.
6. GOLD FLASH OVER .000050-.000100 NICKEL
.000015 GOLD ON CONTACT AREA.
7. GOLD FLASH ON AREA "L"
.000050 GOLD ON CONTACT AREA.
ALL OVER .000050-.000100 NICKEL ENTIRE CONTACT.



| | | | |
|----------|---|--------------------------|-------------|
| OBSOLETE | 7 | 1-87666-6 | 87667-6 |
| | 6 | 87666-5 | 87667-5 |
| | 5 | 87666-4 | 87667-4 |
| | 4 | 87666-3 | 87667-3 |
| | 3 | 87666-2 | 87667-2 |
| | 2 | 87666-1 | 87667-1 |
| FINISH | | MAKE FROM STRIP PART NO. | PART NUMBER |

| | | | | | | | | | | | | | | | | |
|---|---------|----------------------------|---|-----------------------|-----|-------|-------|-------|--------|-------|---------|--------|---------|-------------------|------------|--|
| THIS DRAWING IS A CONTROLLED DOCUMENT. | | DWN M.BINNER 27JUN06 | STE TE Connectivity | | | | | | | | | | | | | |
| DIMENSIONS: INCHES | | CHK D.ROHDE 27JUN06 | | | | | | | | | | | | | | |
| TOLERANCES UNLESS OTHERWISE SPECIFIED: | | APVD D.ROHDE 27JUN06 | NAME CONTACT, FEMALE, MOD IV, CRIMP SNAP-IN (LOOSE PIECE) | | | | | | | | | | | | | |
| <table border="0"> <tr><td>0 PLC</td><td>± -</td></tr> <tr><td>1 PLC</td><td>± -</td></tr> <tr><td>2 PLC</td><td>± .02</td></tr> <tr><td>3 PLC</td><td>± .005</td></tr> <tr><td>4 PLC</td><td>± .0005</td></tr> <tr><td>ANGLES</td><td>± 0°30'</td></tr> </table> | | 0 PLC | ± - | 1 PLC | ± - | 2 PLC | ± .02 | 3 PLC | ± .005 | 4 PLC | ± .0005 | ANGLES | ± 0°30' | PRODUCT SPEC - | SIZE A3 | |
| 0 PLC | ± - | | | | | | | | | | | | | | | |
| 1 PLC | ± - | | | | | | | | | | | | | | | |
| 2 PLC | ± .02 | | | | | | | | | | | | | | | |
| 3 PLC | ± .005 | | | | | | | | | | | | | | | |
| 4 PLC | ± .0005 | | | | | | | | | | | | | | | |
| ANGLES | ± 0°30' | | | | | | | | | | | | | | | |
| MATERIAL SEE TABLE | | APPLICATION SPEC - | CAGE CODE 00779 | DRAWING NO C-87667 | | | | | | | | | | | | |
| FINISH SEE TABLE | | WEIGHT - | RESTRICTED TO - | | | | | | | | | | | | | |
| CUSTOMER DRAWING | | | SCALE 8:1 | SHEET 1 OF 1 | | | | | | | | | | | | |
| | | | REV B1 | | | | | | | | | | | | | |