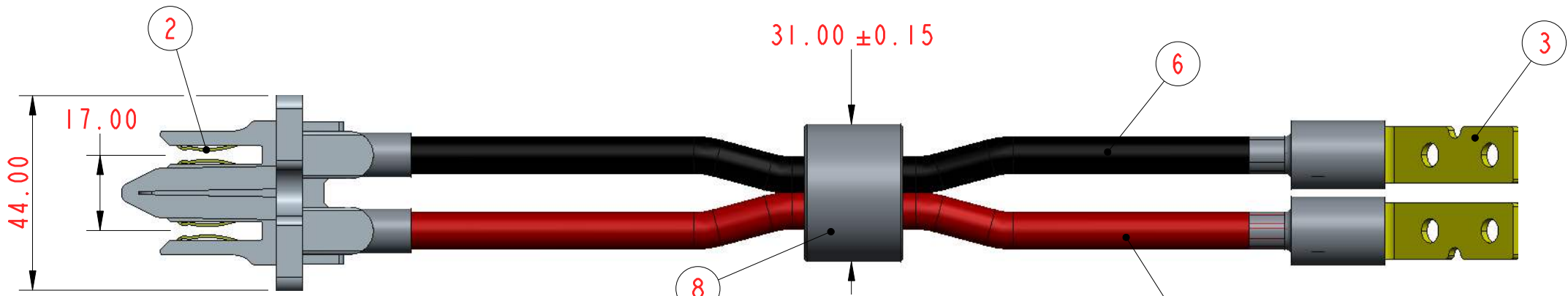
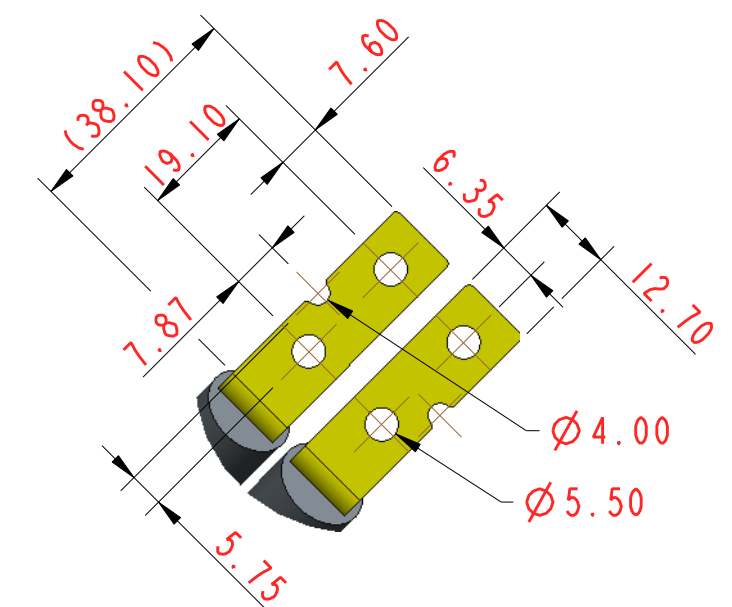
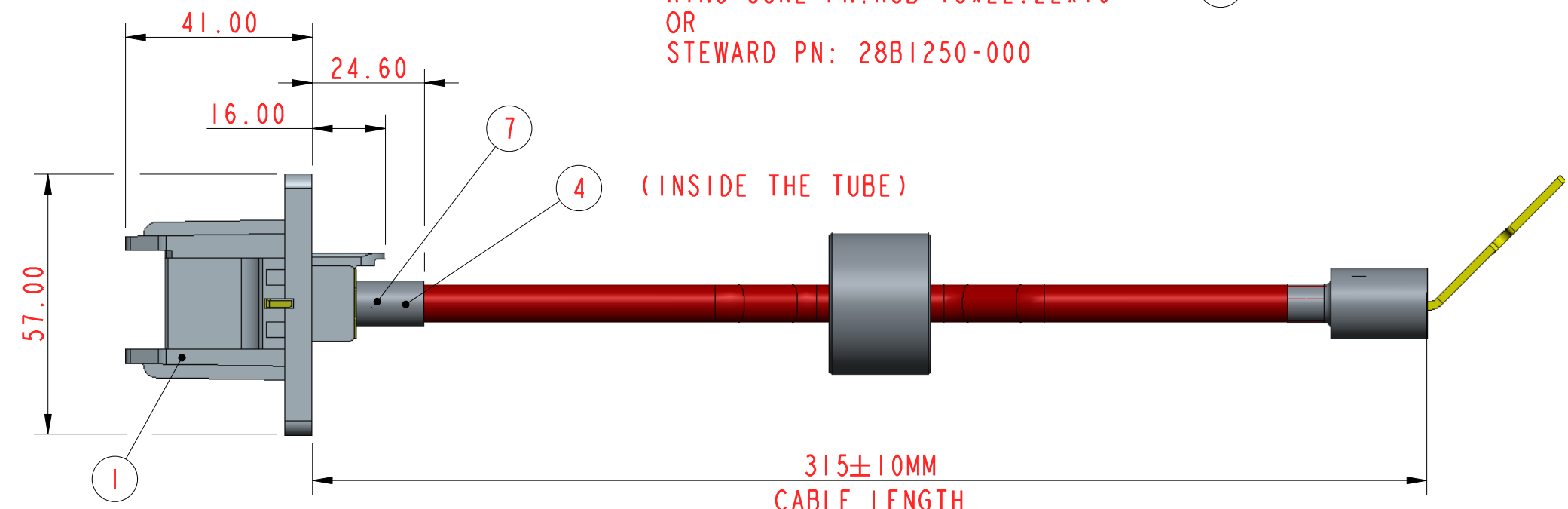


PART NUMBER
10124234-061005LF



KING CORE PN: K5B T3x22.22x19
OR
STEWART PN: 28B1250-000



ITEM NO.	DESCRIPTION	Q'TY
1	HOUSING, THERMOPLASTIC RESIN, UL94V-0	1
2	MATING CONTACT, HIGH CONDUCTIVITY COPPER ALLOY, TIN PLATED.	2
3	FLAT CONTACT, HIGH CONDUCTIVITY COPPER ALLOY, TIN PLATED	2
4	SECONDARY CRIMPING BARREL, COPPER ALLOY, NICKEL PLATED	2
5	FLEXIBLE POWER WIRE, 6 AWG, UL RECONGIZED, 105°C, 600V RED INSULATION COLOR, LEGTH=315mm (HSG TO TERMINAL BENDING)	1
6	FLEXIBLE POWER WIRE, 6 AWG, UL RECONGIZED, 105°C, 600V BLACK INSULATION COLOR, LEGTH=315mm (HSG TO TERMINAL BENDING)	1
7	THERMAL SHRINKAGE TUBING, COLOR BLACK, 0.5mm THICKNESS, LENGTH 25mm MIN.	4
8	CHOKE	1

NOTES:
 (1) ELECTRICAL RATING: 600V, 60A
 (2) WORKING TEMPERATURE: -20-75°C
 (3) REFERENCE DOCUMENTS:
 PRODUCT SPECIFICATION: FCI-GS-12-1127
 PACKAGEING SPECIFICATION: FCI-GS-14-2295
 (4) RoHS COMPLIANT.

spec ref	dr	BEER FU	2013-06-26	projection	MM	size	A3	scale	1:1
tolerance std	eng	BEER FU	2013-06-26			ecn no			
TOLERANCES UNLESS OTHERWISE SPECIFIED surface ✓	chr	BEER FU	2013-06-26			rel level			
	appr	BEER FU	2013-06-26	RELEASED					
	linear	0.X	±0.50						
	0.XX	±0.20	BUSBAR POWER CABLE						
	0.XXX	±0.10	STRAIGHT WIRE OUTLET						
angular	0°	±2°	www.fci.com						

title	10124234-061005LF	rev	A
cat. no.	CUSTOMER	sheet	1 of 1

Copyright FCI.