

# Ultralift LM Lifting Magnet

Manually operated general purpose lifter

Datasheet no. 302

**Excellent performance to weight ratio achieved by using high-energy neodymium magnets arranged in an efficient magnetic circuit Superb holding force for a safe, reliable lift.**

Locking switch on clamping mechanism prevents accidental switching.

## Suitable for

**Ferrous sheet/plate** thicknesses greater than 20mm  
maximum weight of 3000kg

**Ferrous round bar** up to 600mm diameter maximum  
weight of 800kg

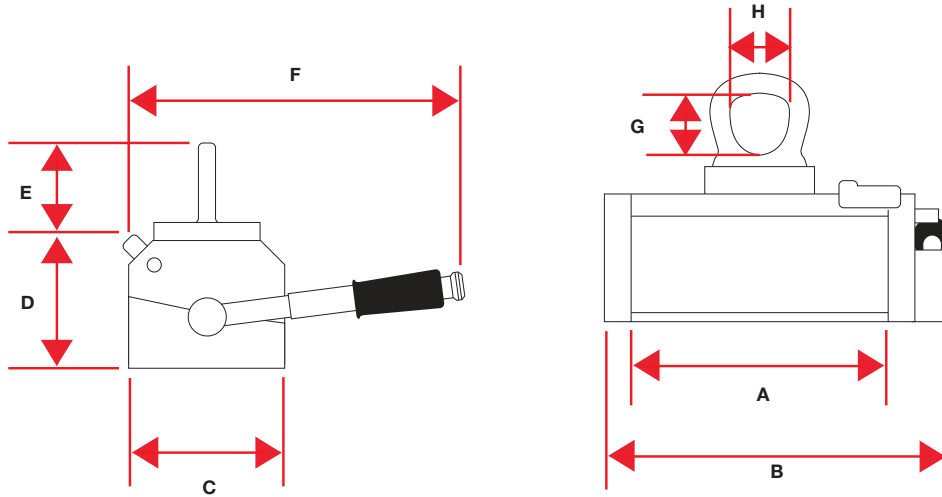
## Suitable locations

Machine shops, fabrication shops, steel stockholders,  
manufacturers

## Benefits

- Easy to install
- Simple one man operation
- No power required
- Load surface not marked
- High performance magnet material providing high performance at a lower weight
- Save space as access is only needed to the top of the load
- Handle locking mechanism ensures safe lifting





Product	Unit Weight kg	Flat Section			Round Section			Dimensions mm							
		SWL* kg	Thickness Min. mm	Length Max. mm	SWL* kg	Diameter Max. mm	Length** Max. mm	A	B	C	D	E	F	G	H
LM0125	4.5	125	20	1500	50	250	1500	110	146	76	62	54	150	30	27
LM0250	8.5	250	25	1500	100	300	1500	165	205	90	72	78	200	45	40
LM0500	17.5	500	30	2000	200	400	2000	225	275	106	88	103	243	53	48
LM1000	36.5	1000	45	3000	400	450	3000	325	383	136	103	113	365	59	52
LM2000	79	2000	55	3000	800	600	3000	400	470	186	132	170	526	88	79

\*Safe working load

△ \*\* The maximum stated length is not at the maximum diameter (Always work within stated SWL)

## Performance

### SWL performance criteria

Flat ground mild steel plate of thickness, equal to or greater than the specified minimum thickness

### Magnetic material

Rare earth neodymium iron boron

### Temperature

-10°C (14°F) / +80°C (176°F)

### Maximum humidity

80%

## Materials

### End plates

Aluminium - painted

### Housing

Mild steel

### Pole feet

Mild steel - plated

## Conformity

The Ultralift Plus range conforms to the following:

Machinery Directive 98/37/CE

BS EN ISO12100-1 Basic Engineering Principles

BS EN 13155:2003 Cranes safety: non-fixed load lifting attachments

SS7665601 Swedish standards for magnetic lifting devices

ASME B30.20

If you have any more questions, require technical assistance and would like a quotation, contact us.

[www.eclipsemagnetics.com](http://www.eclipsemagnetics.com)

Eclipse Magnetics Ltd, Atlas Way, Sheffield, S4 7QQ, England

T +44 (0)114 225 0600 F +44 (0)114 225 0525 E [info@eclipsemagnetics.com](mailto:info@eclipsemagnetics.com) W [www.eclipsemagnetics.com](http://www.eclipsemagnetics.com)

While every effort has been made to ensure the accuracy of the information in this publication please note that specifications may change without notice.



Innovative Magnetic Solutions



A Spear & Jackson Company