

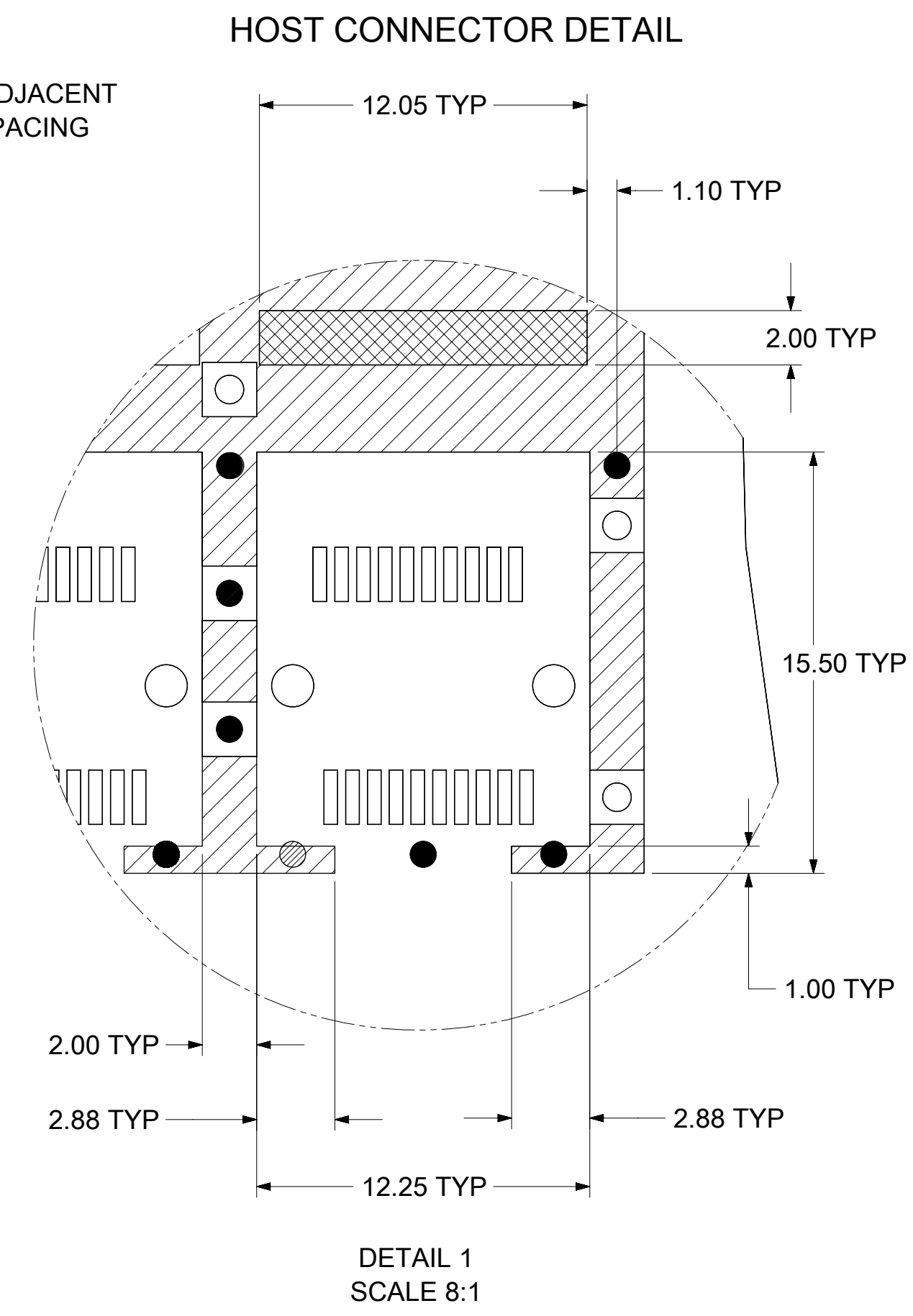
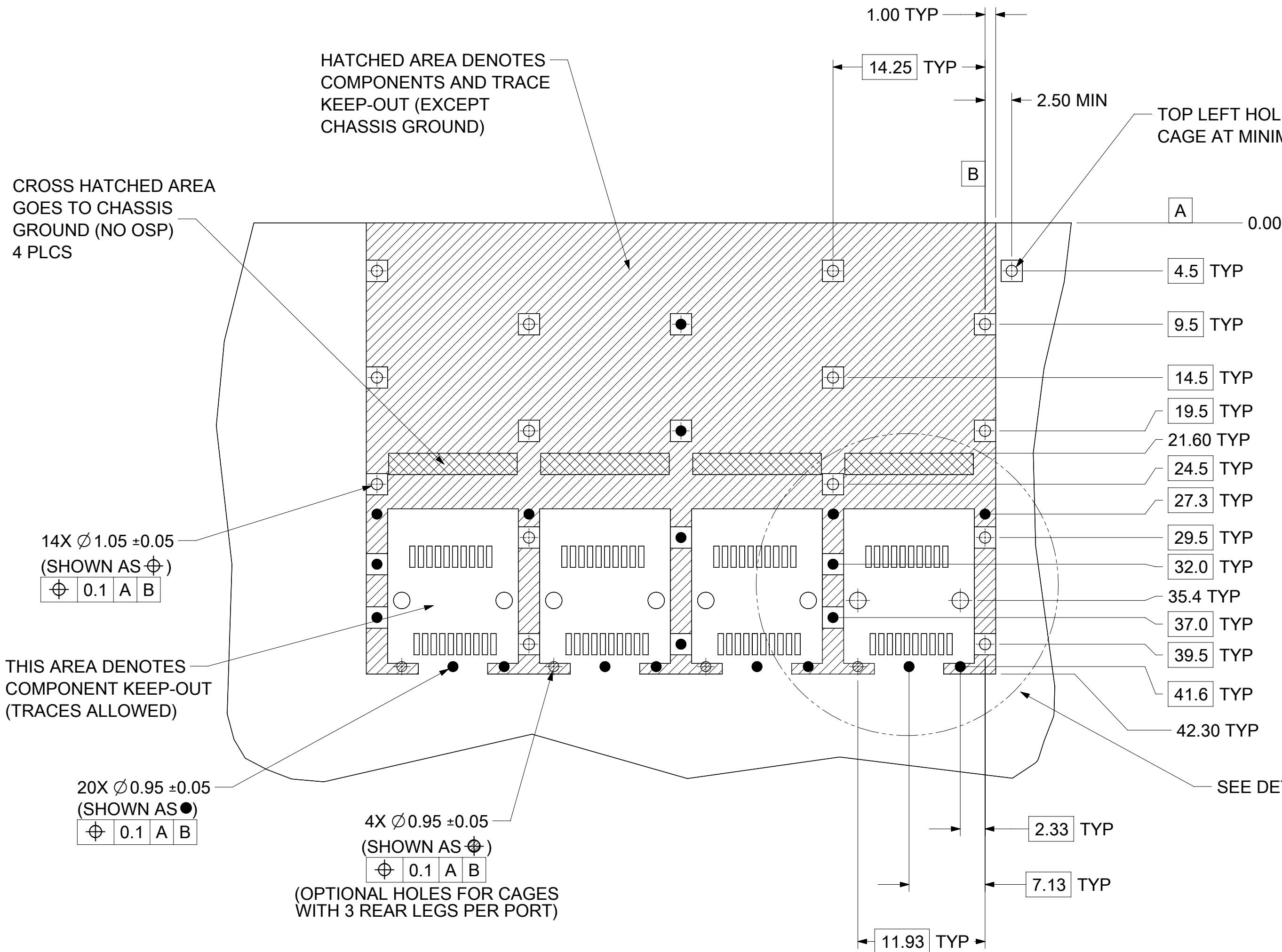
PART NO. AND WEEK/YEAR DATE CODE TO BE PRINTED ON THE BACK OF COMPLETED CAGE ASSEMBLY APPROXIMATELY AS SHOWN ON 100114 SERIES CAGE ASSEMBLIES

WEEK/YEAR DATE CODE TABLE	
WW	01 THRU 52 OR 53 EXAMPLE: 01 = FIRST WEEK OF YEAR 52 = LAST WEEK OF YEAR
YY	22, 23, 24 ETC. EXAMPLE: YEAR 2022 = 22

- NOTES:**
- MATERIAL:**  
CAGE: 0.25mm THICK COPPER ALLOY, NICKEL PLATED.  
SPRING FINGERS: STAINLESS STEEL.
  - PRESS FIT LEGS 3.05mm LONG:**
  - PORTS ARE DESIGNED FOR SFP+ TRANSCEIVERS AND ARE COMPATIBLE WITH SFP TRANSCEIVERS. THE TOP SURFACE OF THE MODULE MUST BE FLAT (NO PRODUCT LABEL RECESS) AND THERMALLY CONDUCTIVE TO FUNCTION OPTIMALLY.**
  - WELD SPOT MAY SHOW SLIGHT MATERIAL DISCOLORATION.**
  - NO RoHS EXEMPTIONS.**

FUNCTIONAL SYMBOLS		THIS DRAWING CONTAINS INFORMATION THAT IS PROPRIETARY TO MOLEX ELECTRONIC TECHNOLOGIES, LLC AND SHOULD NOT BE USED WITHOUT WRITTEN PERMISSION		CURRENT REV DESC: SEE REVISION TABLE		<b>molex</b>	
$\nabla_A = 0$	mm	SCALE	2:1	EC NO: 707505			
$\nabla_C = 0$	GENERAL TOLERANCES (UNLESS SPECIFIED)		4 PLACES ±		DRWN: PKH	2022/04/08	ZSFP+ 1X4 SF CAGE ASSY'S, PRESS FIT TYPE, W/SUS SF UNDER BELLY GASKET.
$\nabla_P = 0$	ANGULAR TOL ± 1.0°		3 PLACES ±		CHK'D: TKUMARKC	2022/05/20	
DIVISIONAL SYMBOLS		2 PLACES ± 0.15		APPR: SCHIEN		2022/05/20	PRODUCT CUSTOMER DRAWING
		1 PLACE ± 0.25		INITIAL REVISION:			DOCUMENT NUMBER
		0 PLACES ±		DRWN: PKH		2022/04/08	1001147420
		DRAFT WHERE APPLICABLE MUST REMAIN WITHIN DIMENSIONS		APPR: SCHIEN		2022/05/20	PSD ASY A
		THIRD ANGLE PROJECTION		DRAWING		SERIES	MATERIAL NUMBER
				C-SIZE		100114	1001147420
				CUSTOMER		GENERAL MARKET	SHEET NUMBER
							1 OF 5

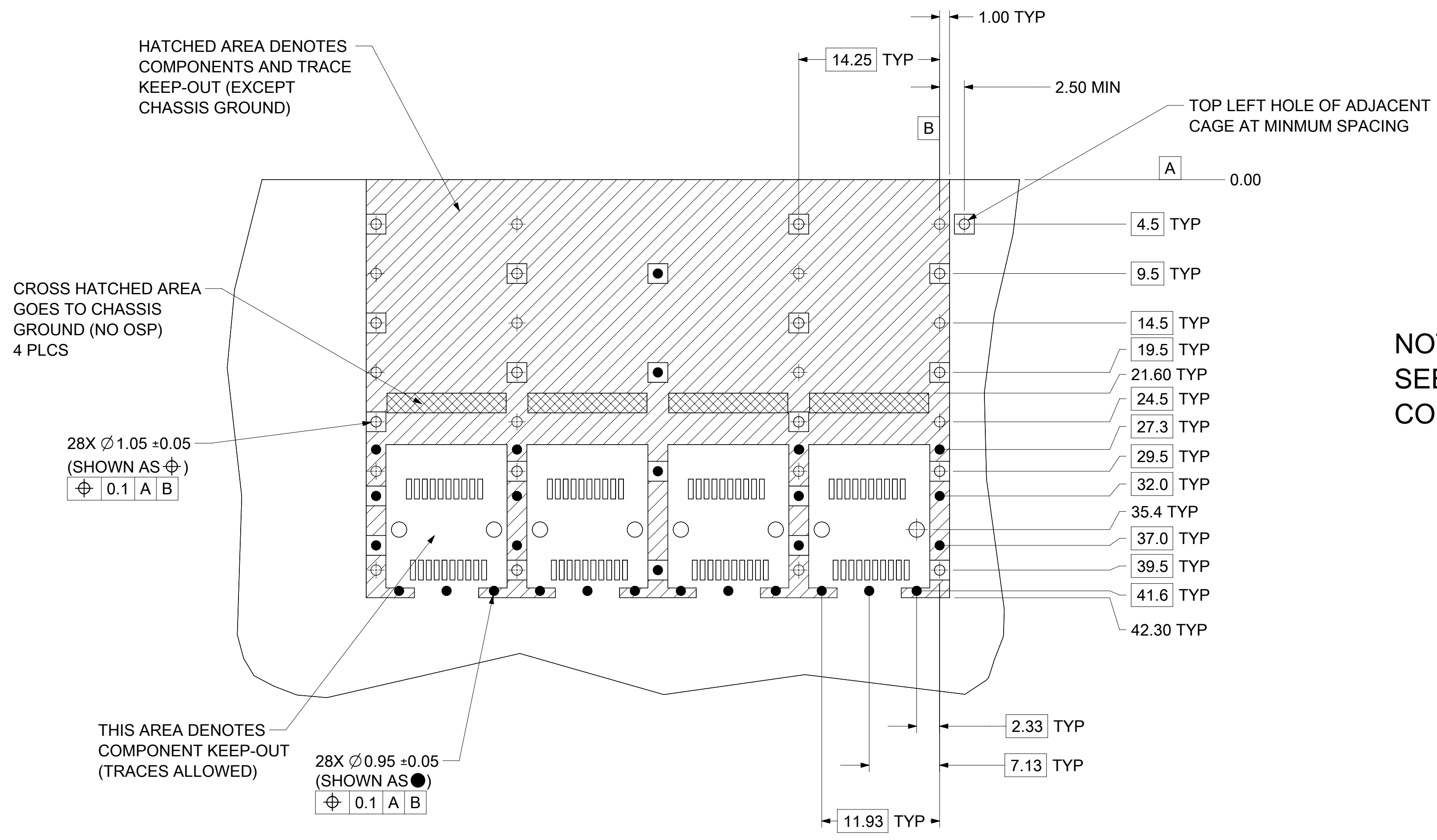
# PCB LAYOUT FOR SINGLE SIDE MOUNT



- NOTES:**
1. PADS AND VIAS CONNECT TO CHASSIS GROUND (RECOMMENDED PADS TO BE 2.00mm SQUARE)
  2. RECOMMENDED THRU HOLE PLATING INCLUDES HASL, OSP, OR IMMERSION (GOLD, SILVER, OR TIN)
  3. CONNECTOR PAD LAYOUT PER SFP+ MSA WILL ACCOMMODATE MOLEX CONNECTOR SERIES 170382 OR EQUIVALENT
  4. HOLE PATTERN REPEATS FOR EACH PORT, SPACING BETWEEN PORTS IS 14.25mm
  5. MINIMUM PCB THICKNESS FOR SINGLE SIDED USE 1.57mm.

FUNCTIONAL SYMBOLS	THIS DRAWING CONTAINS INFORMATION THAT IS PROPRIETARY TO MOLEX ELECTRONIC TECHNOLOGIES, LLC AND SHOULD NOT BE USED WITHOUT WRITTEN PERMISSION		CURRENT REV DESC: SEE REVISION TABLE					
	DIMENSION UNITS	SCALE	EC NO: 707505					
$\overline{A} = 0$	mm	3:1	DRWN: PKH 2022/04/08		ZSFP+ 1X4 SF CAGE ASSY'S, PRESS FIT TYPE, W/SUS SF UNDER BELLY GASKET.			
$\overline{C} = 0$	GENERAL TOLERANCES (UNLESS SPECIFIED)		CHK'D: TKUMARKC 2022/05/20					
$\overline{P} = 0$	ANGULAR TOL ± 1.0°		APPR: SCHIEN 2022/05/20		PRODUCT CUSTOMER DRAWING			
DIVISIONAL SYMBOLS	4 PLACES ±		INITIAL REVISION:		DOCUMENT NUMBER	DOC TYPE	DOC PART	REVISION
	3 PLACES ±		DRWN: PKH 2022/04/08		1001147420	PSD	ASY	A
	2 PLACES ± 0.15		APPR: SCHIEN 2022/05/20		MATERIAL NUMBER	CUSTOMER	SHEET NUMBER	
	1 PLACE ± 0.25				1001147420	GENERAL MARKET	2 OF 5	
	0 PLACES ±							
DRAFT WHERE APPLICABLE MUST REMAIN WITHIN DIMENSIONS		THIRD ANGLE PROJECTION	DRAWING	SERIES				
			C-SIZE	100114				

# PCB LAYOUT FOR BELLY TO BELLY MOUNTING

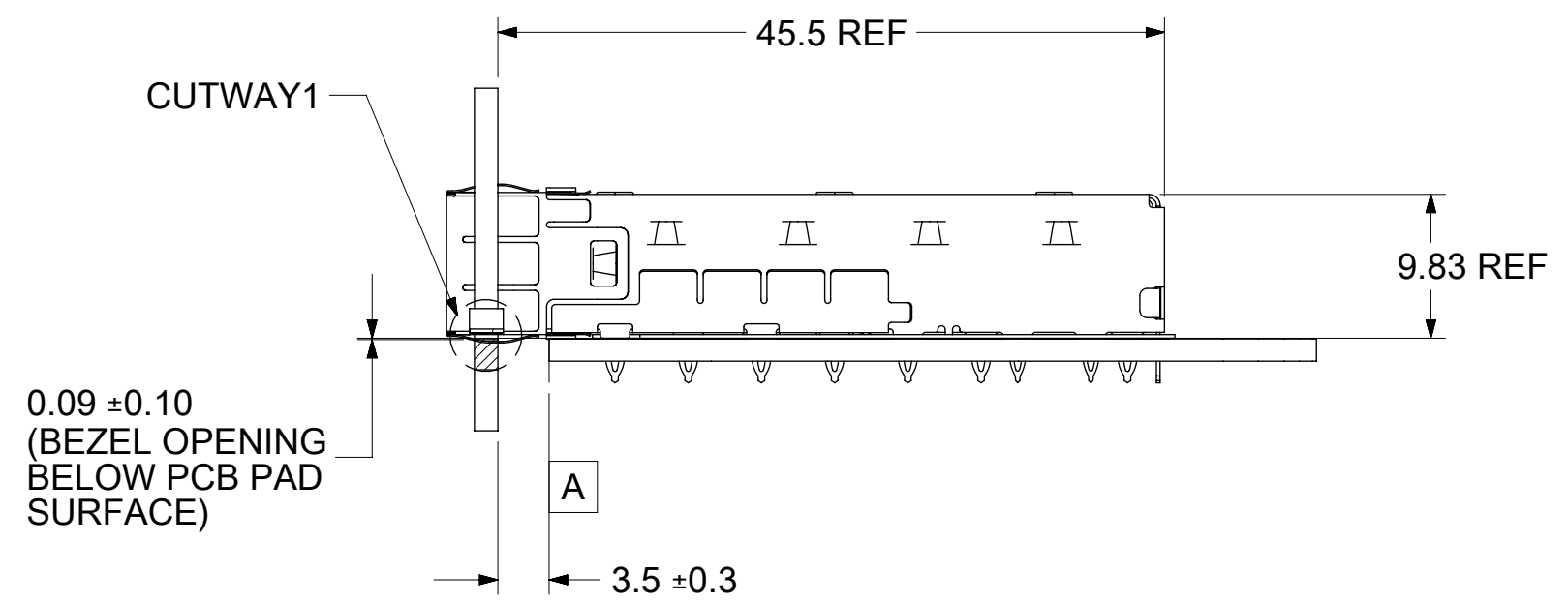
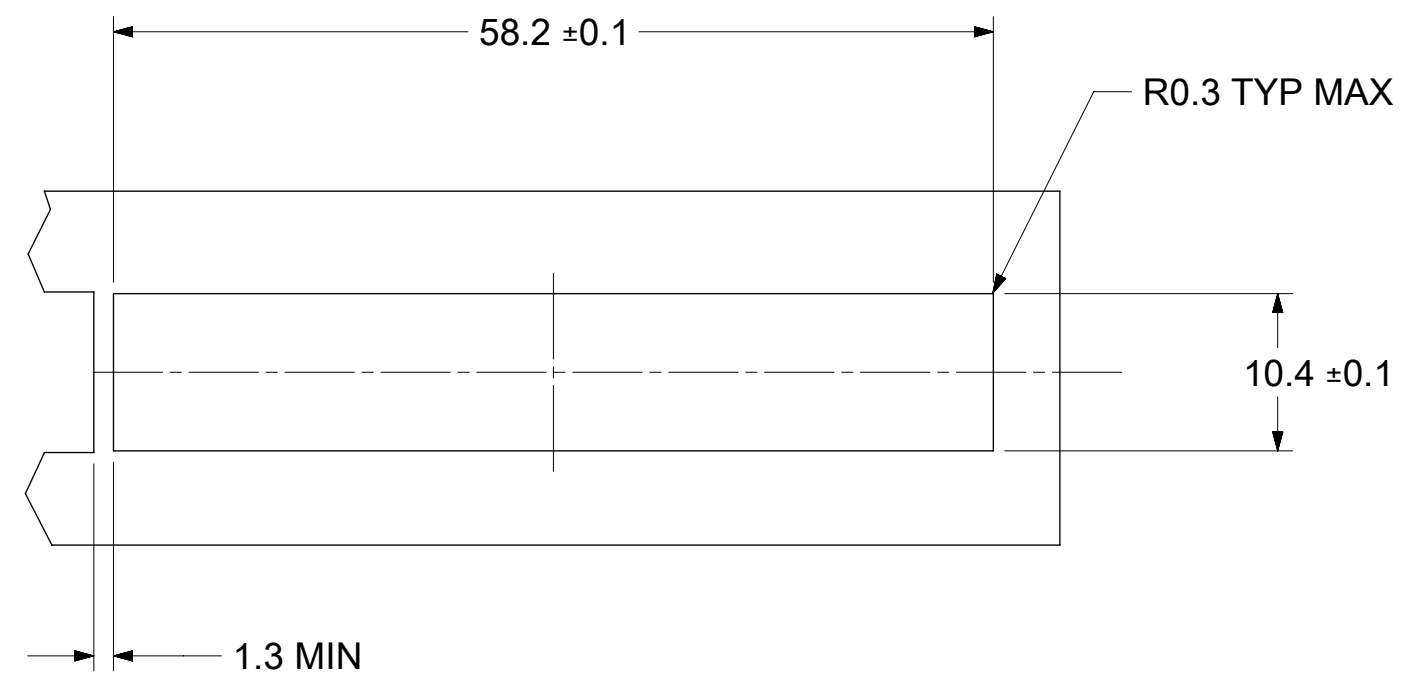


**NOTE:  
SEE SHEET 2 FOR HOST  
CONNECTOR DETAIL**

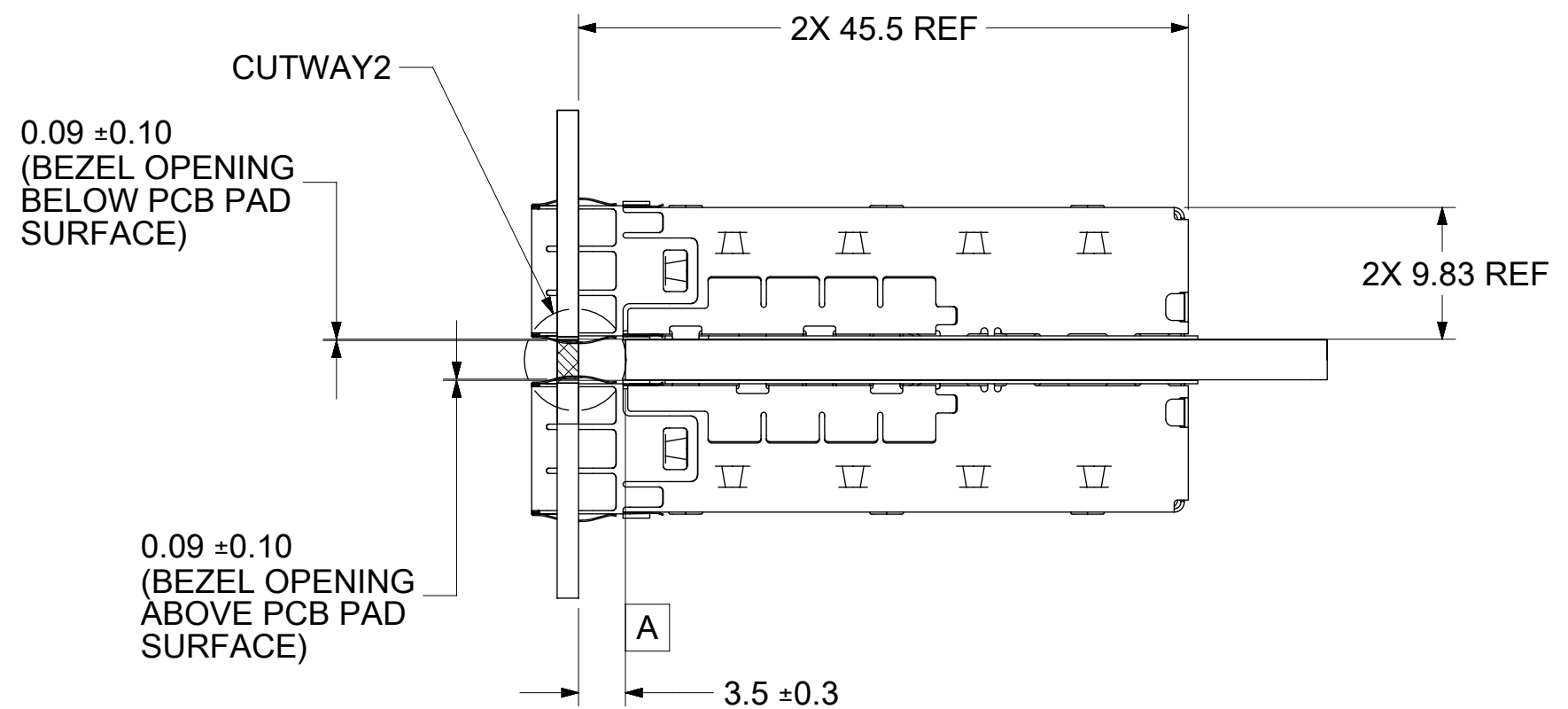
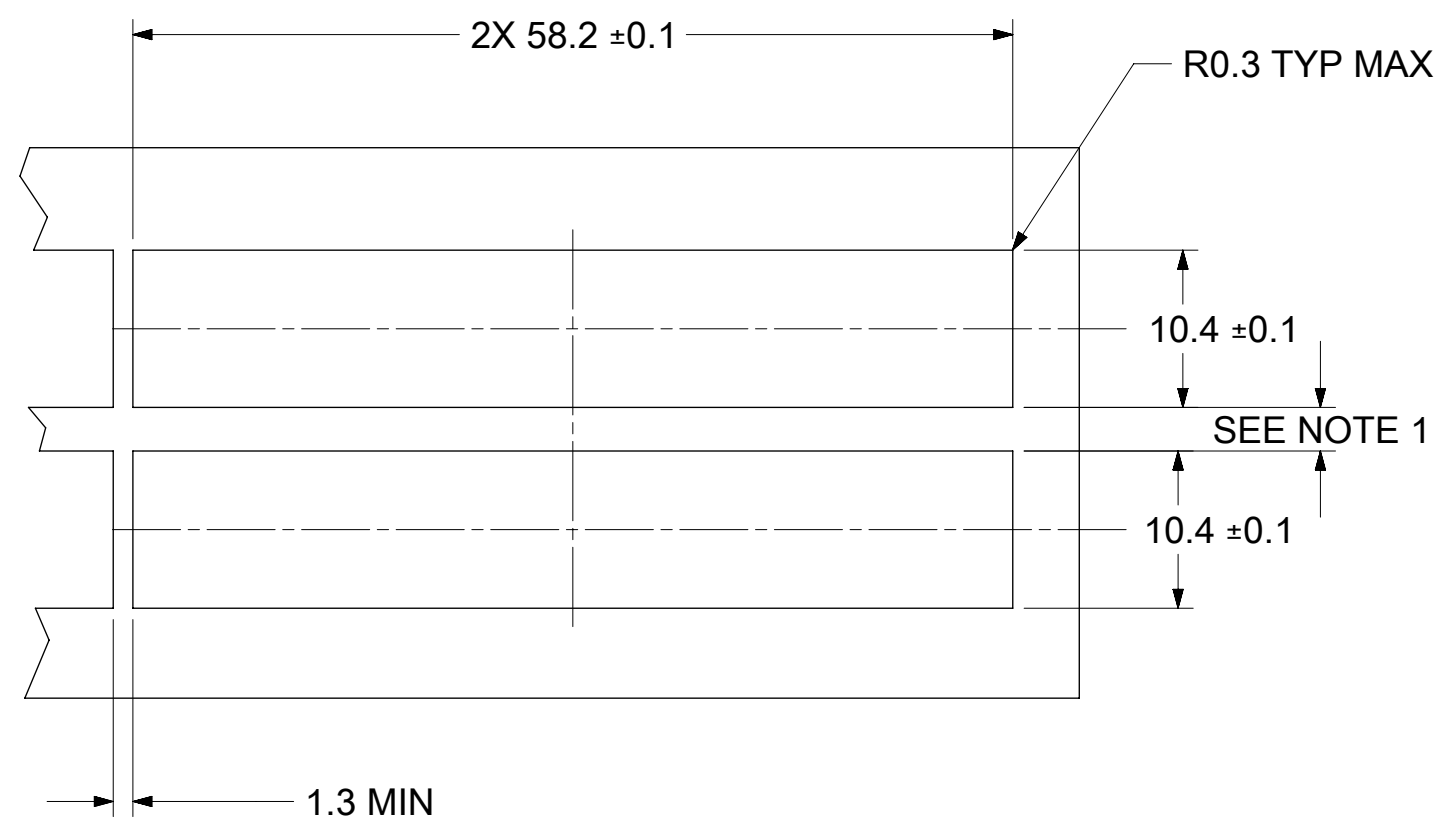
- NOTES:**
1. PADS AND VIAS CONNECT TO CHASSIS GROUND (RECOMMENDED PADS TO BE 2.00mm SQUARE)
  2. RECOMMENDED THRU HOLE PLATING INCLUDES HASL, OSP, OR IMMERSION (GOLD, SILVER, OR TIN)
  3. CONNECTOR PAD LAYOUT PER SFP+ MSA WILL ACCOMMODATE MOLEX CONNECTOR SERIES 170382 OR EQUIVALENT
  4. HOLE PATTERN REPEATS FOR EACH PORT, SPACING BETWEEN PORTS IS 14.25mm
  5. MINIMUM PCB THICKNESS FOR BELLY TO BELLY USE 3.00mm.

FUNCTIONAL SYMBOLS	THIS DRAWING CONTAINS INFORMATION THAT IS PROPRIETARY TO MOLEX ELECTRONIC TECHNOLOGIES, LLC AND SHOULD NOT BE USED WITHOUT WRITTEN PERMISSION		CURRENT REV DESC: SEE REVISION TABLE						
	DIMENSION UNITS	SCALE							
$\frac{F}{A} = 0$	mm	3:1	EC NO: 707505		ZSFP+ 1X4 SF CAGE ASSY'S, PRESS FIT TYPE, W/SUS SF UNDER BELLY GASKET.				
$\frac{F}{C} = 0$	GENERAL TOLERANCES (UNLESS SPECIFIED)		DRWN: PKH 2022/04/08		PRODUCT CUSTOMER DRAWING				
$\frac{F}{P} = 0$	ANGULAR TOL ± 1.0°		CHK'D: TKUMARKC 2022/05/20		DOCUMENT NUMBER				
DIVISIONAL SYMBOLS	4 PLACES ±		APPR: SCHIEN 2022/05/20		1001147420		PSD	ASY	A
	3 PLACES ±		INITIAL REVISION:		1001147420		SHEET NUMBER		
	2 PLACES ± 0.15		DRWN: PKH 2022/04/08		1001147420		3 OF 5		
	1 PLACE ± 0.25		APPR: SCHIEN 2022/05/20		1001147420		GENERAL MARKET		
	0 PLACES ±		DRAFT WHERE APPLICABLE MUST REMAIN WITHIN DIMENSIONS		100114		3 OF 5		
	THIRD ANGLE PROJECTION		DRAWING		SERIES		MATERIAL NUMBER		
			C-SIZE		100114		CUSTOMER		

## BEZEL AND BOARD POSITION DIMENSIONS FOR SINGLE SIDE MOUNTING (SPRING FINGER)




## BEZEL AND BOARD POSITION DIMENSIONS FOR BELLY TO BELLY MOUNTING (SPRING FINGER)



**NOTE:**  
 1. PCB THICKNESS VARIATION MUST BE CONSIDERED WHEN DETERMINING BEZEL OPENING LOCATION.  
 2. CAGE LEG STANDOFF WILL PIERCE BELLY GASKET WHEN PROPERLY PRESSED INTO PCB.

<b>FUNCTIONAL SYMBOLS</b>	THIS DRAWING CONTAINS INFORMATION THAT IS PROPRIETARY TO MOLEX ELECTRONIC TECHNOLOGIES, LLC AND SHOULD NOT BE USED WITHOUT WRITTEN PERMISSION										
$\nabla_A = 0$	DIMENSION UNITS	SCALE	CURRENT REV DESC: SEE REVISION TABLE							<b>molex</b>	
$\nabla_C = 0$	mm	2:1									
$\nabla_P = 0$	GENERAL TOLERANCES (UNLESS SPECIFIED)		EC NO: 707505							ZSFP+ 1X4 SF CAGE ASSY'S, PRESS FIT TYPE, W/SUS SF UNDER BELLY GASKET.	
ANGULAR TOL $\pm 1.0^\circ$		DRWN: PKH 2022/04/08									
4 PLACES $\pm$		CHK'D: TKUMARKC 2022/05/20							PRODUCT CUSTOMER DRAWING		
3 PLACES $\pm$		APPR: SCHIEN 2022/05/20									
2 PLACES $\pm 0.15$		INITIAL REVISION:							DOCUMENT NUMBER		
1 PLACE $\pm 0.25$		DRWN: PKH 2022/04/08									
0 PLACES $\pm$		APPR: SCHIEN 2022/05/20							1001147420		
DRAFT WHERE APPLICABLE MUST REMAIN WITHIN DIMENSIONS		THIRD ANGLE PROJECTION		DRAWING		SERIES		MATERIAL NUMBER			
				C-SIZE		100114		1001147420		GENERAL MARKET	
								CUSTOMER		SHEET NUMBER	
								1		4 OF 5	

REV	DATE	DESCRIPTION
A	2022/05/20	INITIAL RELEASE

<b>FUNCTIONAL SYMBOLS</b> $\nabla_A = 0$ $\nabla_C = 0$ $\nabla_P = 0$	THIS DRAWING CONTAINS INFORMATION THAT IS PROPRIETARY TO MOLEX ELECTRONIC TECHNOLOGIES, LLC AND SHOULD NOT BE USED WITHOUT WRITTEN PERMISSION	DIMENSION UNITS: <b>mm</b> SCALE: <b>1:1</b>		CURRENT REV DESC: SEE REVISION TABLE						
	<b>DIVISIONAL SYMBOLS</b> 4 PLACES ± 3 PLACES ± 2 PLACES ± 0.15 1 PLACE ± 0.25 0 PLACES ±	GENERAL TOLERANCES (UNLESS SPECIFIED) ANGULAR TOL ± 1.0°	EC NO: 707505 DRWN: PKH    2022/04/08 CHK'D: TKUMARKC    2022/05/20 APPR: SCHIEN    2022/05/20	ZSFP+ 1X4 SF CAGE ASSY'S, PRESS FIT TYPE, W/SUS SF UNDER BELLY GASKET.					PRODUCT CUSTOMER DRAWING	
DRAFT WHERE APPLICABLE MUST REMAIN WITHIN DIMENSIONS		THIRD ANGLE PROJECTION	DRAWING: <b>C-SIZE</b>	SERIES: <b>100114</b>	MATERIAL NUMBER: <b>1001147420</b>	CUSTOMER: <b>GENERAL MARKET</b>	DOCUMENT NUMBER: <b>1001147420</b>	DOC TYPE: <b>PSD</b>	DOC PART: <b>ASY</b>	REVISION: <b>A</b>