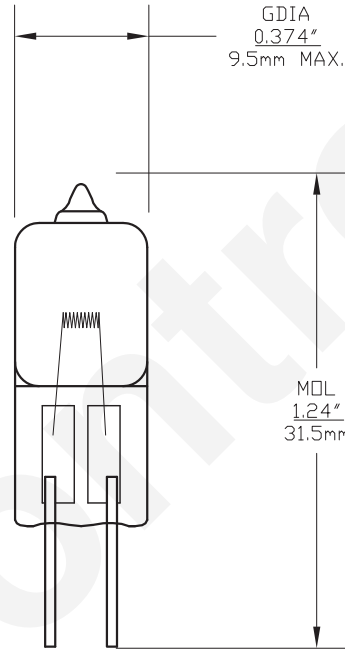


PART NO.	BASE TYPE	VOLTS	AMPS	WATTS	MSCP	FILAMENT TYPE	AVERAGE LIFE HOURS
782	G4 BI-PIN	12	1.67 ±10%	20	25 ±25%	C-6	2,000

REVISIONS			
REV	DESCRIPTION	DATE	APPROVED
1	ISSUED	12/04/2009	D.C.

T2-3/4



UNLESS OTHERWISE SPECIFIED: DIMENSIONS ARE IN INCHES TOLERANCES		CEC INDUSTRIES LTD			
DECIMALS .XX ± .05		599 BOND STREET		LINCOLNSHIRE, IL 60069	
ANGULAR ± 0.5°		TITLE			
.XXX ± .010		HALOGEN LIGHT BULB NO. 782			
FRACTIONAL ± 1/64		SIZE	FSCM NO.	DWG NO.	REV
DRAWN	DATE	A		782	1
D.C.	12/04/2009	SCALE	PLOT SCALE	SHEET 1 OF 1	
CHECKED		FILE	782.dwg	DO NOT SCALE DRAWING	
DESIGN					
MATERIAL					