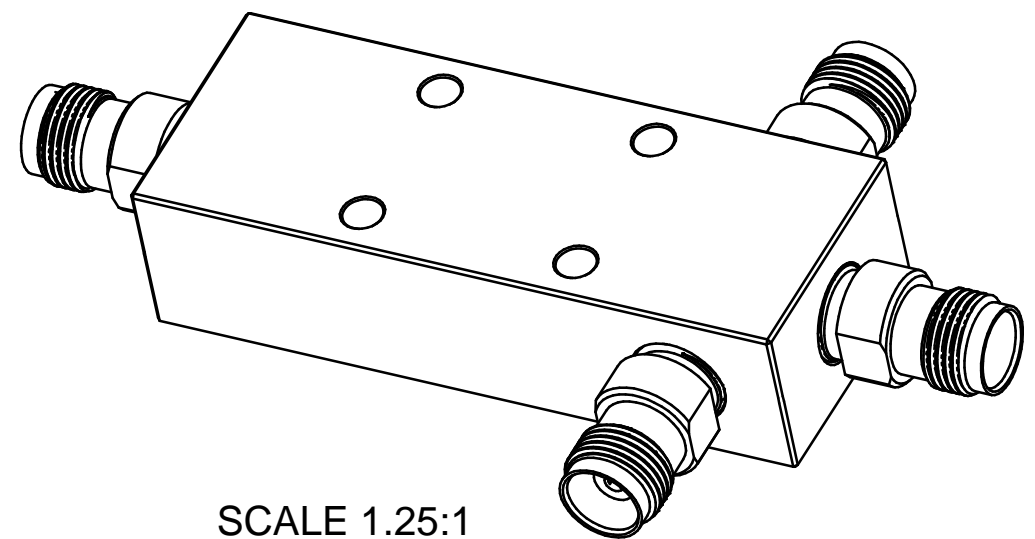
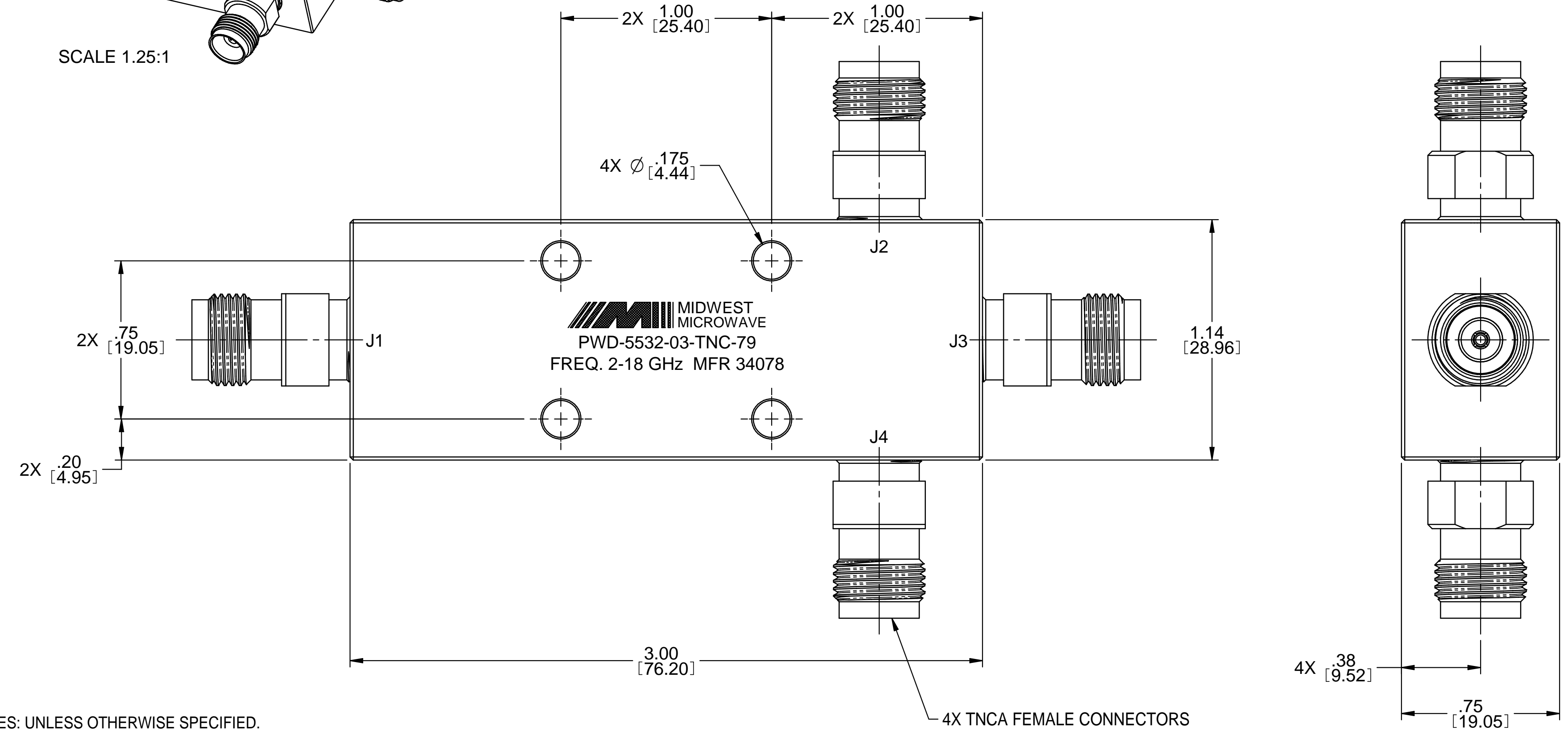


REV	ECO	DATE
A	24442	9/16/12
B	24750	5/2/13



SCALE 1.25:1



NOTES: UNLESS OTHERWISE SPECIFIED.

- ELECTRICAL SPECIFICATIONS:
  - FREQUENCY RANGE: 2.0 TO 18.0 GHz
  - INSERTION LOSS: 1.2 dB MAX.
  - ISOLATION: 18 dB MIN.
  - VSWR: 1.80:1 MAX.
  - OUTPUT UNBALANCE:
    - AMPLITUDE: 0.6 dB
    - PHASE: 10° MAX.
  - MAXIMUM INPUT POWER: 30.0 WATTS (WITH OUTPUT LOADS OF ≤ 2.0:1)
  - OPERATING TEMP. RANGE: -65°C TO +125°C
- FINISHING:
  - GRAY OVER MIL-E-15090 TYPE II, CLASS 2 OVER MIL-C-5541 CLASS 3A. MEETS MIL-F-14072 & MIL-E-5400.
  - MARK UNIT AS SHOWN.
- DIMENSION IN BRACKETS ARE MILLIMETERS.

4X TNCA FEMALE CONNECTORS PER MIL-STD-348, FIG 313-4 (INTERFACE ALSO MEETS TYPE TNC 18 GHz GRADE 1, PER IEC 169-26, FIG. 2)

OUTLINE DRAWING

<p>This PROPRIETARY Document is property of Emerson Network Power Connectivity Solutions. It is confidential in nature, non-transferable, and issued with the clear understanding that it is not traced or copied without permission and is returnable upon demand.</p>	Model No. <b>PWD-5532-03-TNC-79</b>		<b>MIDWEST MICROWAVE</b>		
	Cage Code <b>34078</b>		Title <b>POWER DIVIDER</b>		Material
	3RD ANGLE PROJECTION - ⊕ -		Drawing No. <b>PWD-5532-03-TNC-79-01</b>		Rev. <b>B</b>
	UNLESS OTHERWISE SPECIFIED UNITS: INCHES .XX ±.02 .XXX ±.005 ANGLES ±1°		Drawn by <b>CWW</b>	Date <b>8/13/13</b>	Size <b>C</b>
Approved by <b>PAK</b>		Date <b>8/14/13</b>		Scale <b>2.5:1</b>	Sheet <b>1 of 1</b>